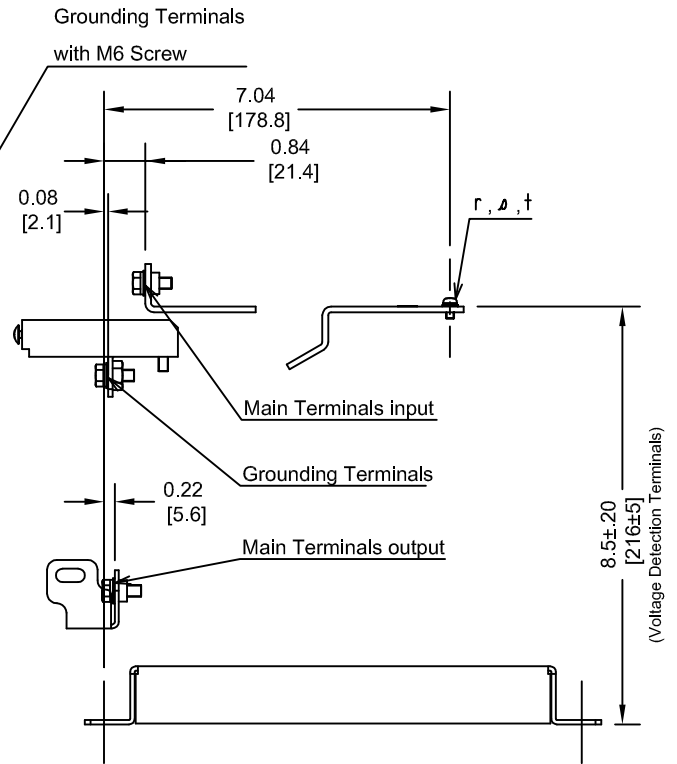
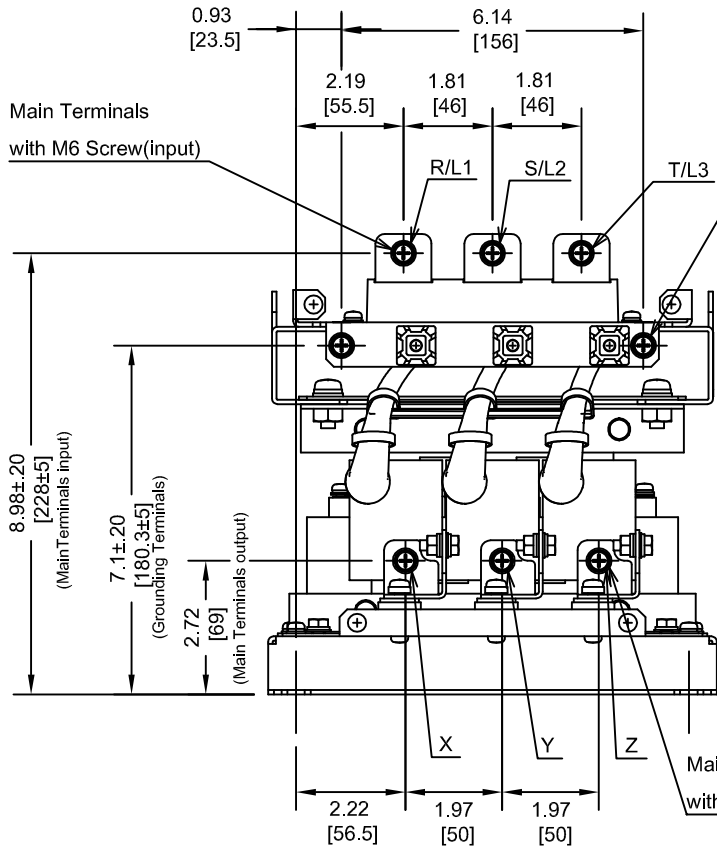
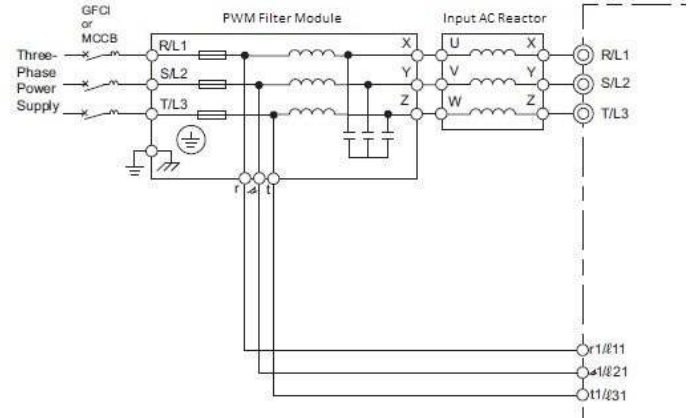
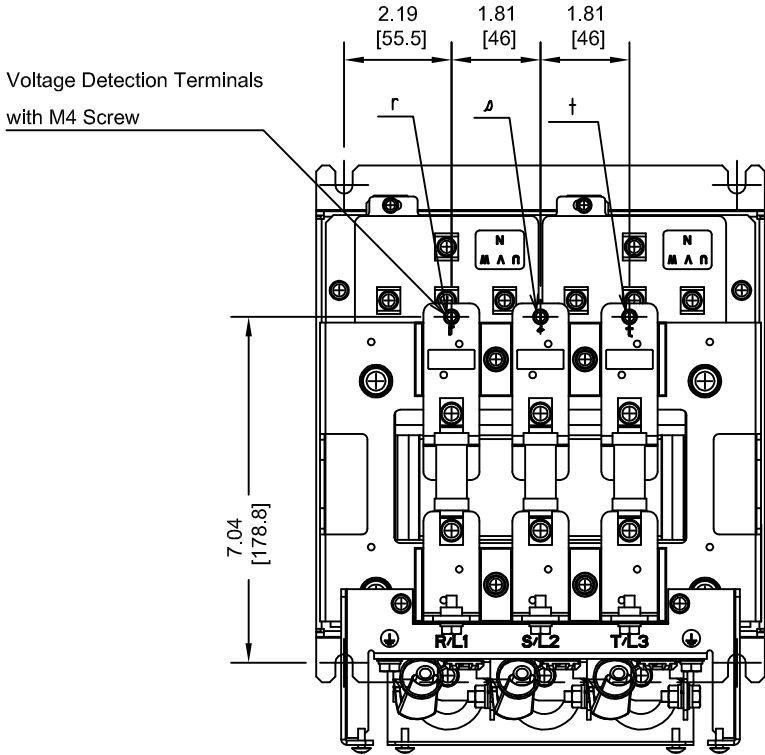


PART #	DESCRIPTION	VOLTAGE (VAC)	CURRENT (A)	WEIGHT LBS (Kg)	HEAT LOSS (W)
UF1000359	EUJ71090X	380/480	30	33.0 (15.0)	77

TOLERANCES / REFERENCES:		<p><b>THIS DOCUMENT AND INFORMATION CONTAINED IN IT ARE CONFIDENTIAL, AND CANNOT BE COPIED OR DISCLOSED IN WHOLE OR IN PART WITHOUT THE EXPRESS WRITTEN CONSENT OF YASKAWA AMERICA, INC.</b></p>	DRAWN: J. MATTAS CHECKED: J. PIOTROWSKI TECH: J. BORJA APPROVED: J. CAIRO ORIGINAL DESIGN: -	DATE: 7-28-14 DATE: 7-30-14 DATE: 7-31-14 DATE: 9-23-14 DATE: -	TITLE: D1000 PWM FILTER MODULE DIMENSION DRAWING UF1000359
UNITS: IN [mm]	SCALE: 1: 4		SIZE A	REVISION R00	PAGE 1 of 2
			DRAWING #: <b>DD.UF1000359</b>		

TERMINAL DETAILS  
(FRONT COVER AND TOP COVER REMOVED)

ELECTRICAL DIAGRAM



TOLERANCES / REFERENCES:



THIS DOCUMENT AND INFORMATION CONTAINED IN IT ARE CONFIDENTIAL, AND CANNOT BE COPIED OR DISCLOSED IN WHOLE OR IN PART WITHOUT THE EXPRESS WRITTEN CONSENT OF YASKAWA AMERICA, INC.

DRAWN: J. MATTAS	DATE 7-28-14
CHECKED: J. PIOTROWSKI	DATE 7-30-14
TECH: J. BORJA	DATE 7-31-14
APPROVED: J. CAIRO	DATE 9-23-14
ORIGINAL DESIGN:	DATE

TITLE: D1000 PWM FILTER MODULE DIMENSION DRAWING UF1000359		
SIZE A	REVISION R00	PAGE 2 of 2
DRAWING #: DD.UF1000359		

UNITS: IN [mm] SCALE: 1:4