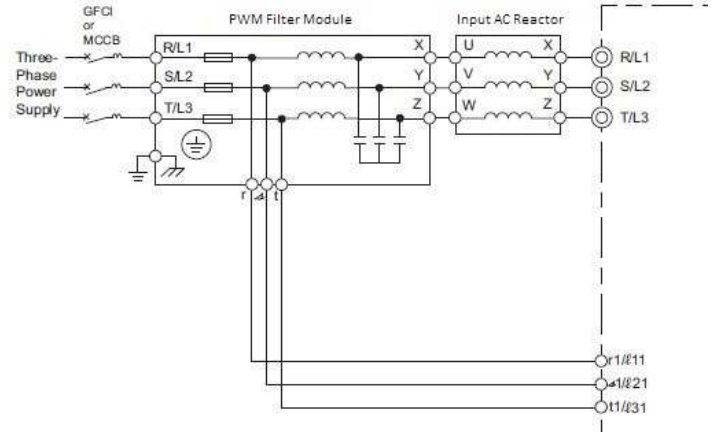
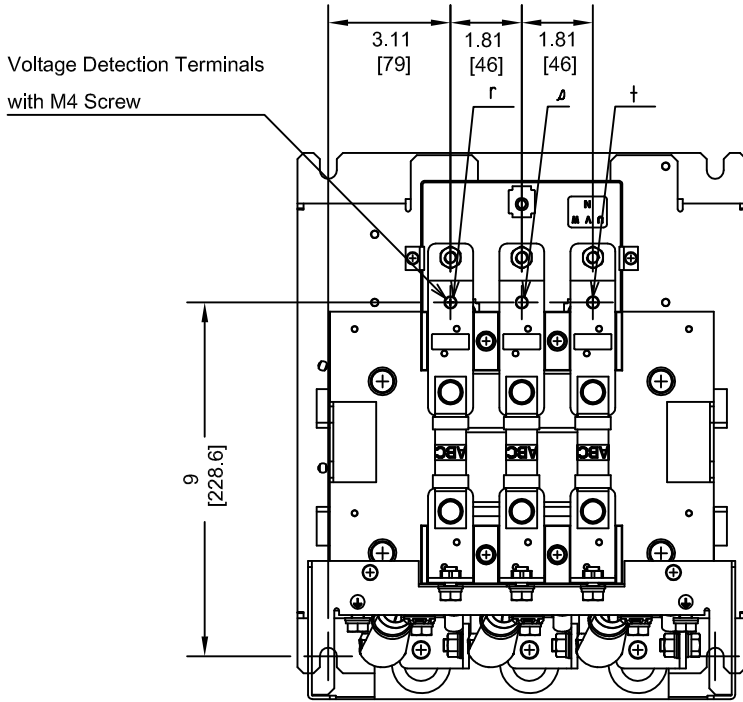


PART #	DESCRIPTION	VOLTAGE (VAC)	CURRENT (A)	WEIGHT LBS (Kg)	HEAT LOSS (W)
UF1000362	EUJ71093X	380/480	86	59.4 (27.0)	158

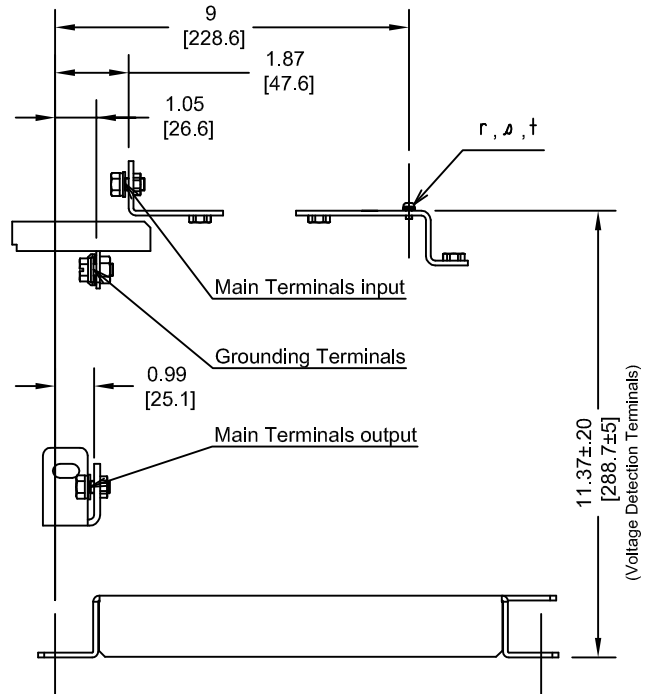
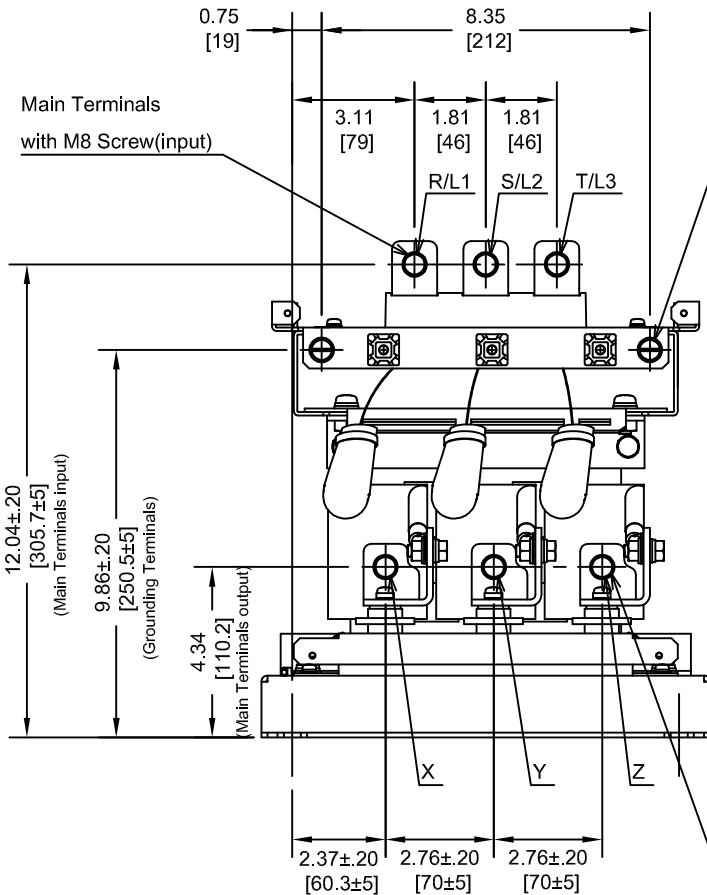
TOLERANCES / REFERENCES:		<p>THIS DOCUMENT AND INFORMATION CONTAINED IN IT ARE CONFIDENTIAL, AND CANNOT BE COPIED OR DISCLOSED IN WHOLE OR IN PART WITHOUT THE EXPRESS WRITTEN CONSENT OF YASKAWA AMERICA, INC.</p>	DRAWN: J. MATTAS	DATE: 7-29-14	TITLE: D1000 PWM FILTER MODULE DIMENSION DRAWING UF1000362			
UNITS: IN [mm]			SCALE: 1:5	CHECKED: J. PIOTROWSKI		DATE: 7-30-14		
			TECH: J. BORJA	DATE: 7-31-14		SIZE: A	REVISION: R00	PAGE: 1 of 2
			APPROVED: J. CAIRO	DATE: 9-23-14		DRAWING #: DD.UF1000362		
			ORIGINAL DESIGN:	DATE:				

TERMINAL DETAILS
(FRONT COVER AND TOP COVER REMOVED)

ELECTRICAL DIAGRAM



Grounding Terminals with M8 screw



TOLERANCES / REFERENCES:



THIS DOCUMENT AND INFORMATION CONTAINED IN IT ARE CONFIDENTIAL, AND CANNOT BE COPIED OR DISCLOSED IN WHOLE OR IN PART WITHOUT THE EXPRESS WRITTEN CONSENT OF YASKAWA AMERICA, INC.

DRAWN: J. MATTAS	DATE 7-29-14
CHECKED: J. PIOTROWSKI	DATE 7-30-14
TECH: J. BORJA	DATE 7-31-14
APPROVED: J. CAIRO	DATE 9-23-14
ORIGINAL DESIGN: -	DATE -

TITLE:
D1000 PWM FILTER MODULE
DIMENSION DRAWING
UF1000362

SIZE A	REVISION R00	PAGE 2 of 2
-----------	-----------------	----------------

DRAWING #:
DD.UF1000362

UNITS: IN [mm] SCALE: 1:5