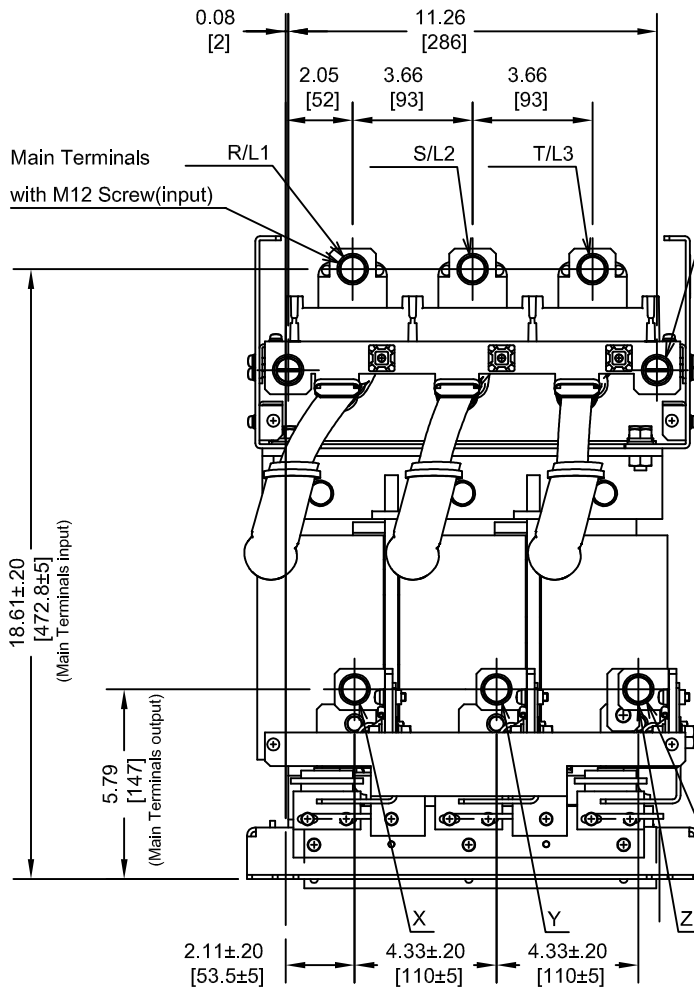
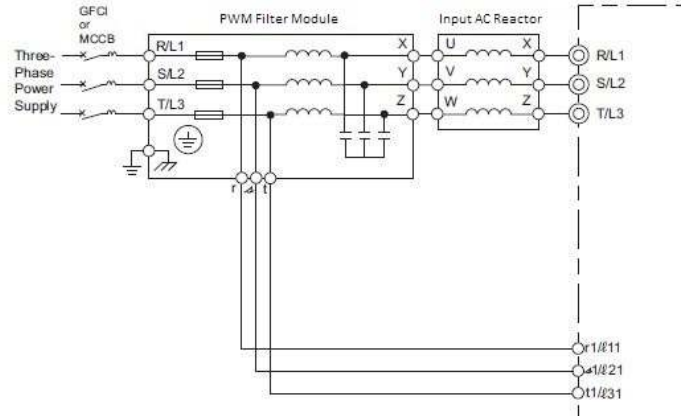
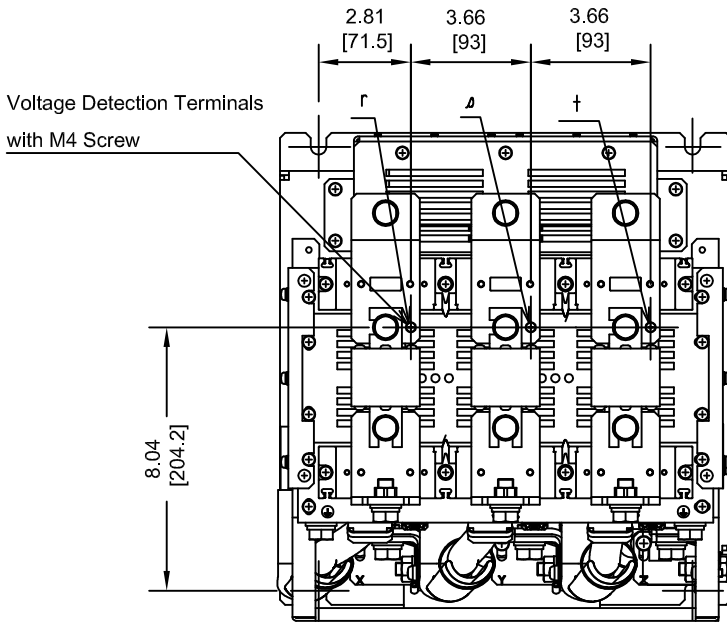


PART #	DESCRIPTION	VOLTAGE (VAC)	CURRENT (A)	WEIGHT LBS (Kg)	HEAT LOSS (W)
UF1000365	EUJ71096X	380/480	300	160.6 (73.0)	365

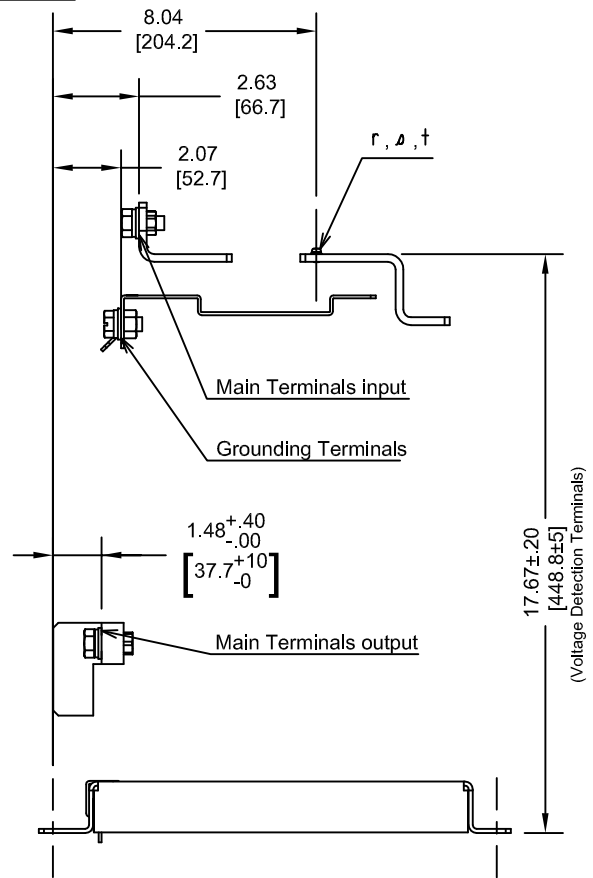
TOLERANCES / REFERENCES:		<p>YASKAWA</p> <p>THIS DOCUMENT AND INFORMATION CONTAINED IN IT ARE CONFIDENTIAL, AND CANNOT BE COPIED OR DISCLOSED IN WHOLE OR IN PART WITHOUT THE EXPRESS WRITTEN CONSENT OF YASKAWA AMERICA, INC.</p>	DRAWN: J. MATTAS	DATE 7-30-14	TITLE: D1000 PWM FILTER MODULE DIMENSION DRAWING UF1000365
			CHECKED: J. PIOTROWSKI	DATE 7-30-14	
			TECH: J. BORJA	DATE 7-31-14	
			APPROVED: J. CAIRO	DATE 9-23-14	
UNITS: IN [mm]	SCALE: 1:6	ORIGINAL DESIGN: -	DATE -	SIZE A	REVISION R00
DRAWING #: DD.UF1000365				PAGE 1 of 2	

TERMINAL DETAILS
(FRONT COVER AND TOP COVER REMOVED)

ELECTRICAL DIAGRAM



Grounding Terminals
with M12 Screw



TOLERANCES / REFERENCES:



THIS DOCUMENT AND INFORMATION CONTAINED IN IT ARE CONFIDENTIAL, AND CANNOT BE COPIED OR DISCLOSED IN WHOLE OR IN PART WITHOUT THE EXPRESS WRITTEN CONSENT OF YASKAWA AMERICA, INC.

DRAWN: J. MATTAS	DATE 7-30-14
CHECKED: J. PIOTROWSKI	DATE 7-30-14
TECH: J. BORJA	DATE 7-31-14
APPROVED: J. CAIRO	DATE 9-23-14
ORIGINAL DESIGN:	DATE

TITLE: D1000 PWM FILTER MODULE DIMENSION DRAWING UF1000365		
SIZE A	REVISION R00	PAGE 2 of 2
DRAWING #: DD.UF1000365		

UNITS:
IN [mm]

SCALE:
1:6