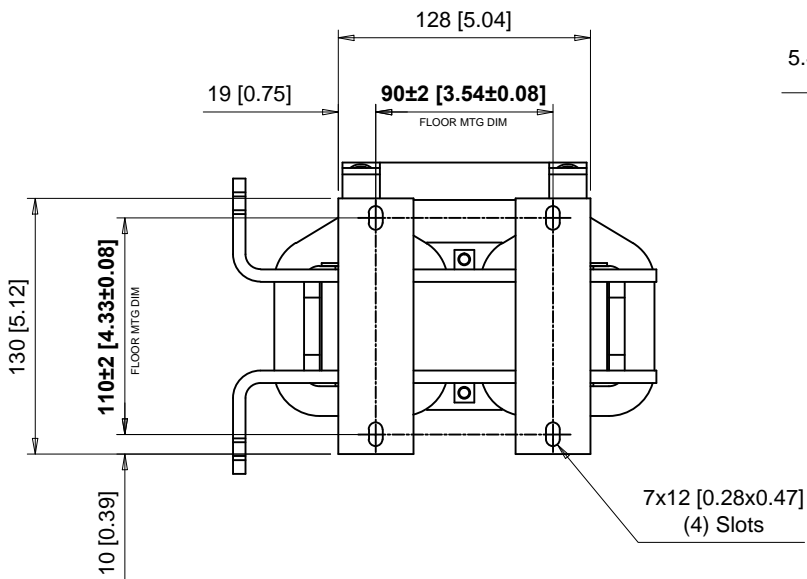


Detail A
Output Bus Bar
Scale 1:1



| PART NUMBER | IMPEDANCE (mH) | CURRENT (A) | WEIGHT Kg (lb) | HEAT LOSS (W) |
|-------------|----------------|-------------|----------------|---------------|
| URX000530 | 0.81 | 79 | 12 (26.5) | 80 |

YASKAWA

UNITS MM [IN]
SCALE 1:4

DRWN. J. MATTAS 12-14-17
CHKD. J. PIOTROWSKI 1-3-18
TECH. L. UDDIN 1-9-18
APRV. J. CAIRO 2-13-18

TITLE
INDUCTOR DIMENSION DRAWING
URX000530

SIZE A PAGE 1 OF 1
DWG.NO.
DD.URX000530

REV
0