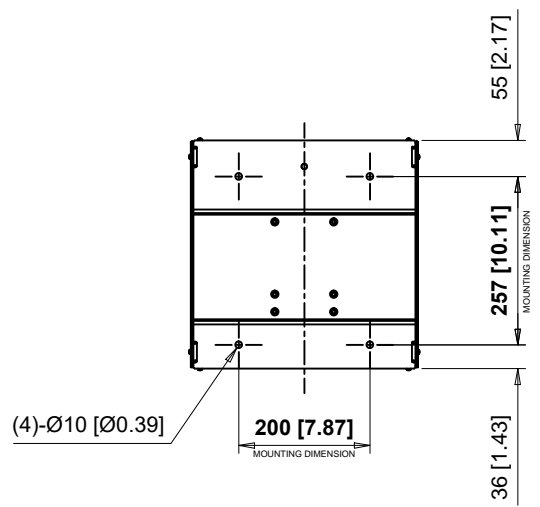
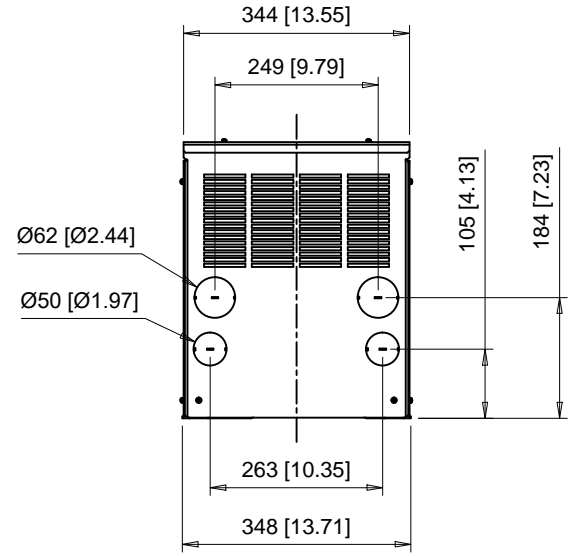
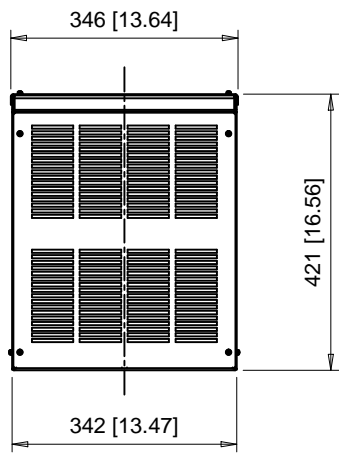
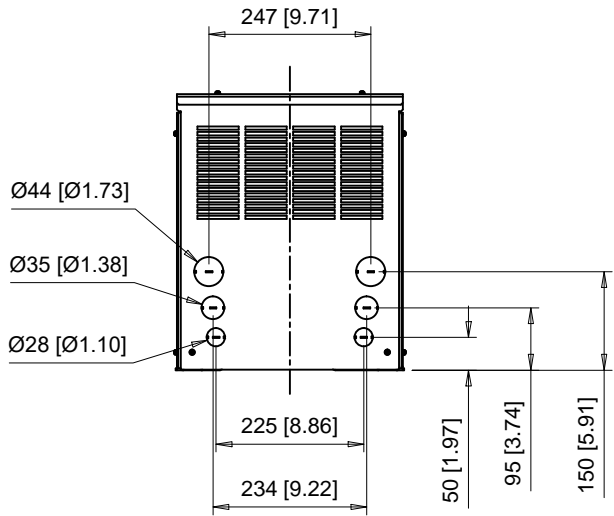
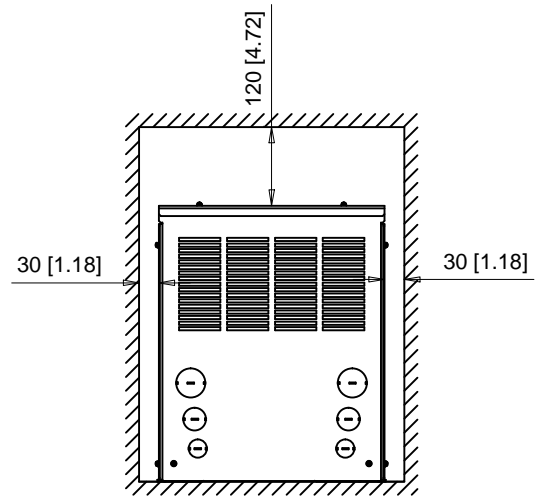


A B C D E F G H I J

1
2
3
4
5
6
7
8



Minimum Installation Clearances



- Notes:
 1) Nema Type 1 Enclosure Kit weighs 25 lbs.
 2) For more details, see customer kit instructions.

YASKAWA		DRWN. J. MATTAS	11-14-18	TITLE DIMENSION DRAWING NEMA TYPE 1 ENCLOSURE FOR SPBC DC LINK CHOKE	SIZE A	PAGE 1 OF 1	REV
	UNITS MM [IN]	CHKD. J. PIOTROWSKI	11-20-18		DWG.NO.		0
	SCALE 1:12	TECH. L. UDDIN	11-26-18		DD.UUX01688.N1		
		APRV. J. CAIRO	11-30-18				