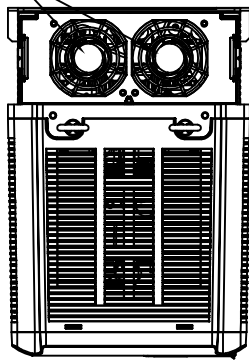
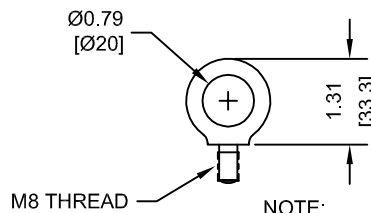


(2) EXTERNAL COOLING FANS

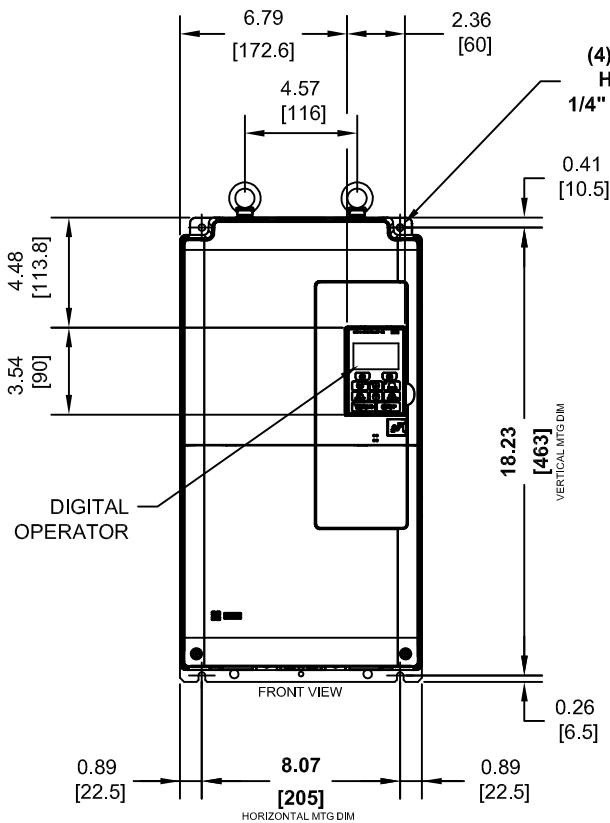


LIFTING AND EYEBOLT DETAILS

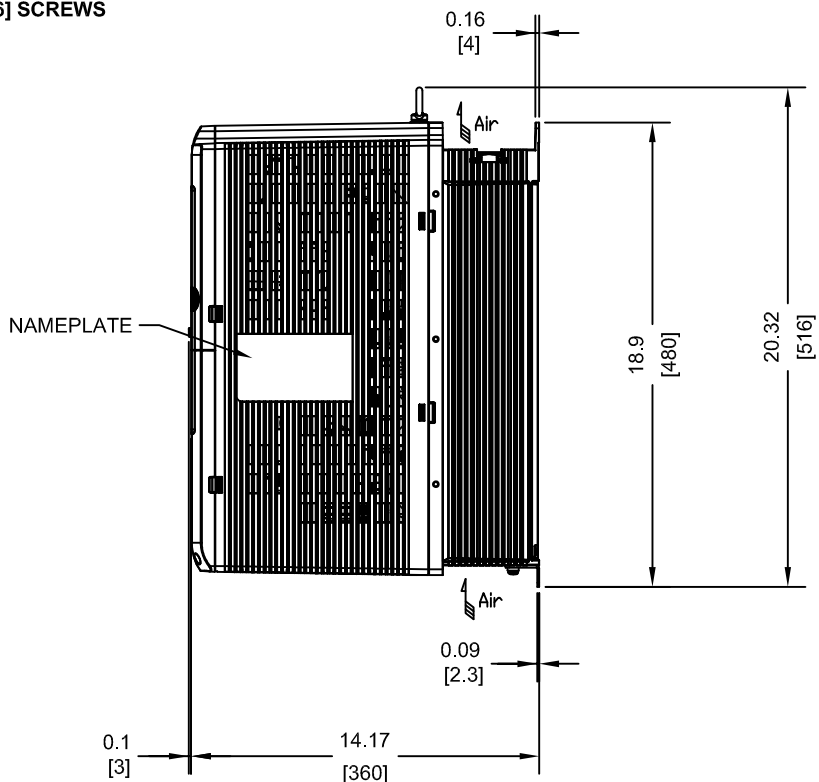


NOTE:
SPREADER BAR REQUIRED TO AVOID DAMAGE DURING LIFTING

(4)-MOUNTING HOLES FOR 1/4" [M6] SCREWS



NAMEPLATE



DIGITAL OPERATOR

FRONT VIEW

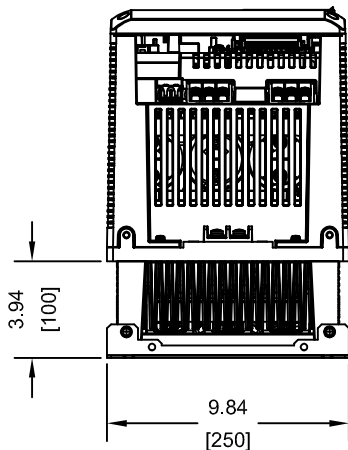
HORIZONTAL MTG DIM

VERTICAL MTG DIM

MODEL # CIMR-UW	VOLTAGE 3-PHASE (VAC)	OUTPUT CURRENT (A)	WEIGHT LBS (Kg)	HEAT LOSS (W) (Fc=4kHz)		
				INT	EXT	TOT
2□0028□□□	200/240	28	44 (20)	103	659	762
4□0011□□□		11	44 (20)	80	452	532
4□0014□□□		14	44 (20)	79	459	538
4□0021□□□		21	44 (20)	105	641	746
4□0027□□□		27	44 (20)	106	675	781
4□0034□□□		34	44 (20)	124	798	922

NOTES:
□ DENOTES A-Z
□□ DENOTES AAA-ZZZ

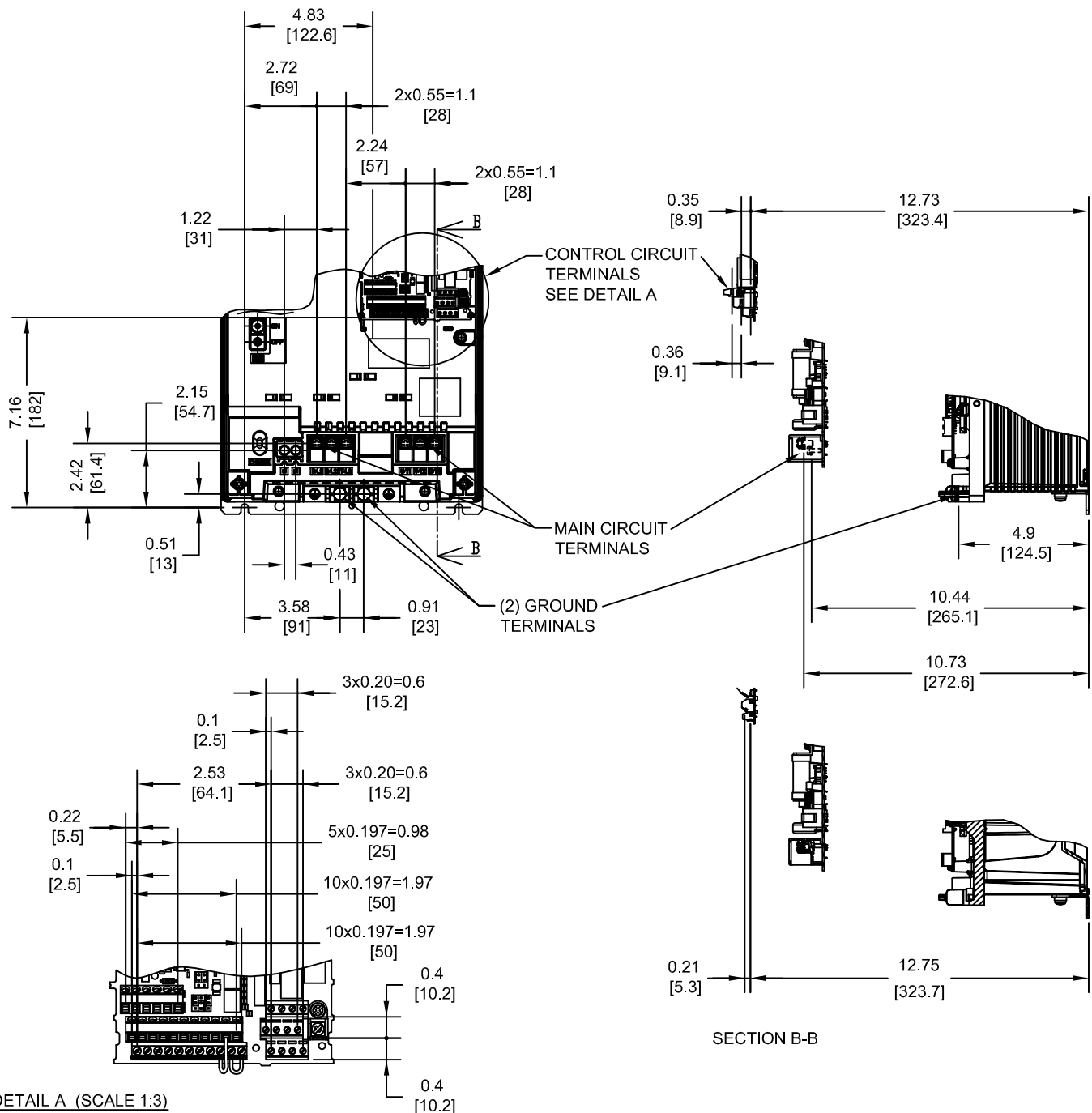
INT=INTERNAL COMPONENTS
EXT=EXTERNAL HEATSINK
TOT=TOTAL



FOR ADDITIONAL DETAILS AND SPECIFICATIONS, CONSULT MANUAL

TOLERANCES / REFERENCES:		YASKAWA	DRAWN: J. MATTAS	DATE 8-25-16	TITLE: U1000 iQpump DIMENSION DRAWING FRAME SIZE 1 IP00 ENCLOSURE 2□0028 AND 4□0011 - 4□0034		
			CHECKED: J. PIOTROWSKI	DATE 9-29-16			
		THIS DOCUMENT AND INFORMATION CONTAINED IN IT ARE CONFIDENTIAL, AND CANNOT BE COPIED OR DISCLOSED IN WHOLE OR IN PART WITHOUT THE EXPRESS WRITTEN CONSENT OF YASKAWA AMERICA, INC.	TECH: J. BORJA	DATE 10-3-16	SIZE A	REVISION R00	PAGE 1 of 3
UNITS: IN[mm]	SCALE: 1:8		APPROVED: J. CAIRO	DATE 10-20-16	DRAWING #: DD.UW1K.FR1.IP00		
		ORIGINAL DESIGN:	DATE -				

TERMINAL AND WIRING DETAILS (SCALE 1:6)



DETAIL A (SCALE 1:3)
CONTROL CIRCUIT TERMINALS

TERMINAL AND WIRE SPECIFICATIONS FOR
MAIN CIRCUIT AND GROUND

MODEL # CIMR-UW	TERMINAL SYMBOL	TERMINAL SCREW	CLAMPING TORQUE lb.in.(N.m.)	WIRE RANGE AWG(mm ²)
2□0028	R/L1, S/L2, T/L3	M5	20.4 TO 23.9 (2.3 TO 2.7)	14 TO 8 (2.5 TO 10)
4□0011	U/T1, V/T2, W/T3			
4□0014	p1, n1	M4	8.9 TO 12.4 (1 TO 1.4)	14 TO 12 (2.5 TO 4)
4□0021				
4□0027	⊕	M6	34.7 TO 43.4 (3.9 TO 4.9)	10 TO 6 (6 TO 16)
4□0034				

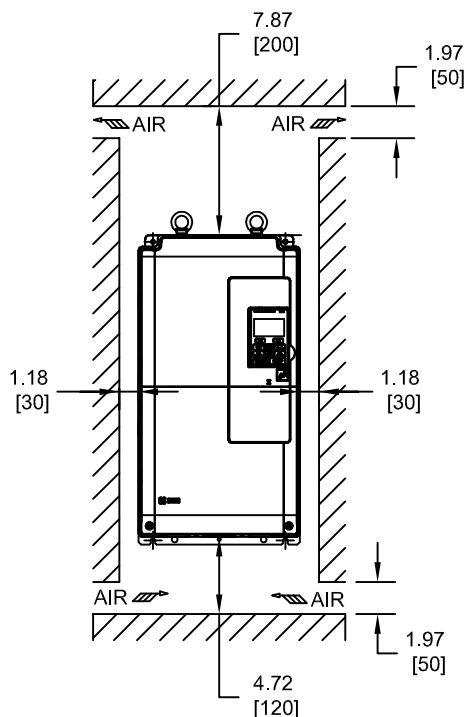
NOTE: REFER TO APPLICABLE CODES FOR PROPER WIRE TYPE AND SIZE

FOR ADDITIONAL DETAILS AND SPECIFICATIONS, CONSULT MANUAL

TOLERANCES / REFERENCES:		YASKAWA	DRAWN: J. MATTAS	DATE 8-25-16	TITLE: U1000 iQpump DIMENSION DRAWING		
			CHECKED: J. PIOTROWSKI	DATE 9-29-16	FRAME SIZE 1		
		TECH: J. BORJA		DATE 10-3-16	IP00 ENCLOSURE		
		APPROVED: J. CAIRO		DATE 10-20-16	SIZE A	REVISION R00	PAGE 2 of 3
UNITS: IN[mm]	SCALE: BY VIEW	ORIGINAL DESIGN: -		DATE -	DRAWING #: DD.UW1K.FR1.IP00		

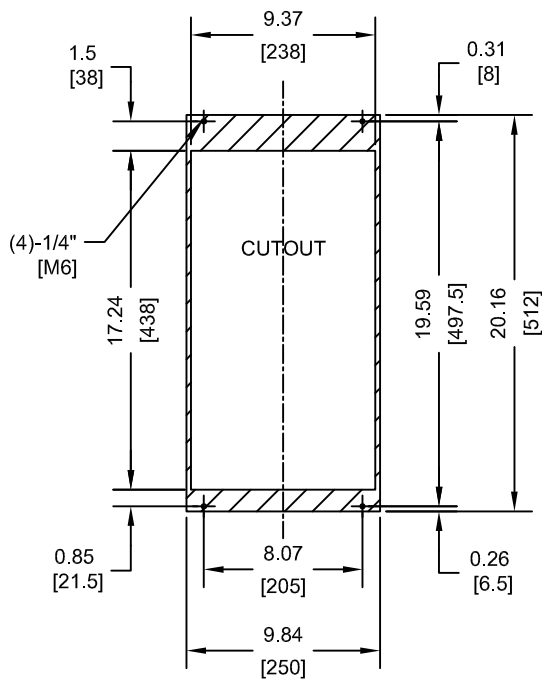
THIS DOCUMENT AND INFORMATION CONTAINED
IN IT ARE CONFIDENTIAL, AND CANNOT BE
COPIED OR DISCLOSED IN WHOLE OR IN PART
WITHOUT THE EXPRESS WRITTEN CONSENT
OF YASKAWA AMERICA, INC.

MINIMUM INSTALLATION CLEARANCES (SCALE 1:12)



NOTE:
FOR SIDE-BY-SIDE MOUNTING
CONSULT MANUAL

PANEL CUTOUT FOR EXTERNAL HEATSINK
MOUNTING CONFIGURATION (SCALE 1:10)



NOTES:
1. EXTERNAL HEATSINK
CONFIGURATION REQUIRES
MOUNTING KIT
2. EXPOSED HEATSINK
RECOMMENDED CLEARANCE
D=4.72"

FOR ADDITIONAL DETAILS AND SPECIFICATIONS, CONSULT MANUAL

TOLERANCES / REFERENCES:		YASKAWA	DRAWN: J. MATTAS	DATE 8-25-16	TITLE: U1000 iQpump DIMENSION DRAWING FRAME SIZE 1 IP00 ENCLOSURE	
			CHECKED: J. PIOTROWSKI	DATE 9-29-16	2□0028 AND 4□0011 - 4□0034	
		TECH: J. BORJA		DATE 10-3-16	SIZE A	REVISION R00
		APPROVED: J. CAIRO		DATE 10-20-16	PAGE 3 of 3	
UNITS: IN[mm]	SCALE: BY VIEW	ORIGINAL DESIGN: -		DATE -	DRAWING #: DD.UW1K.FR1.IP00	