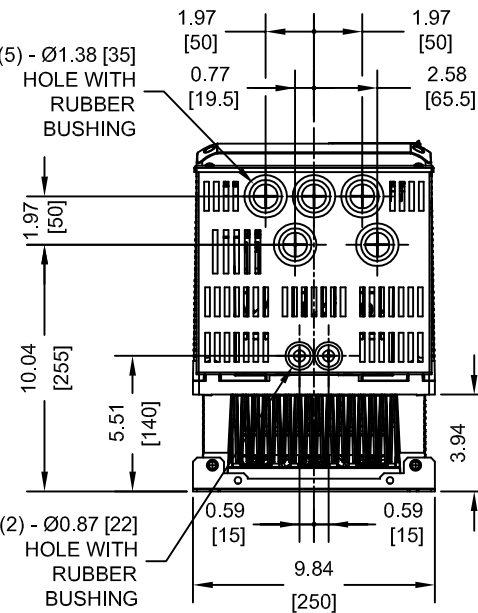
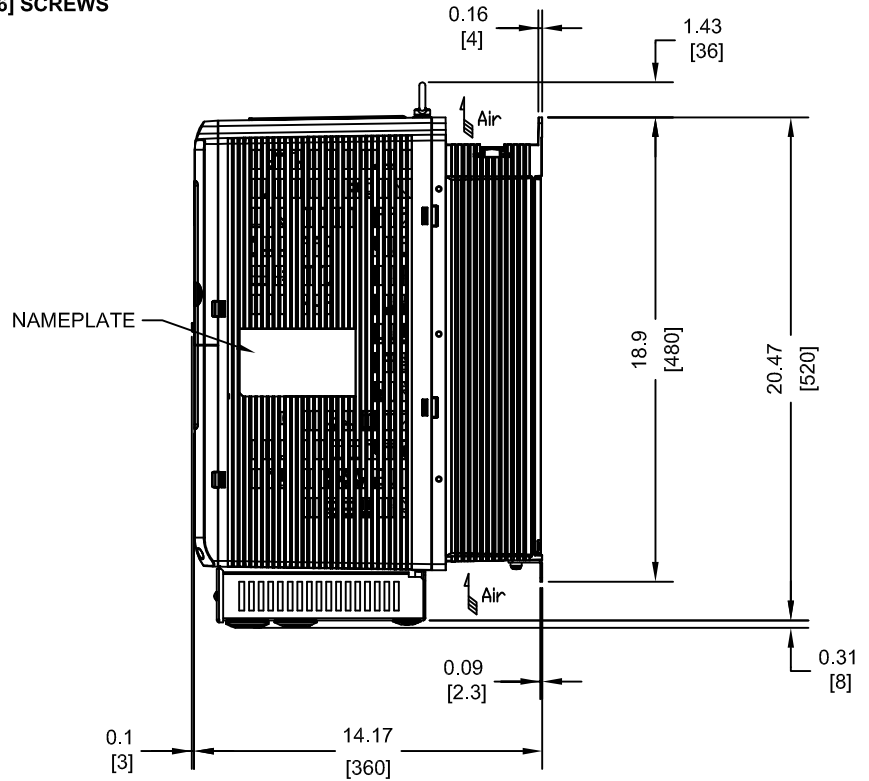
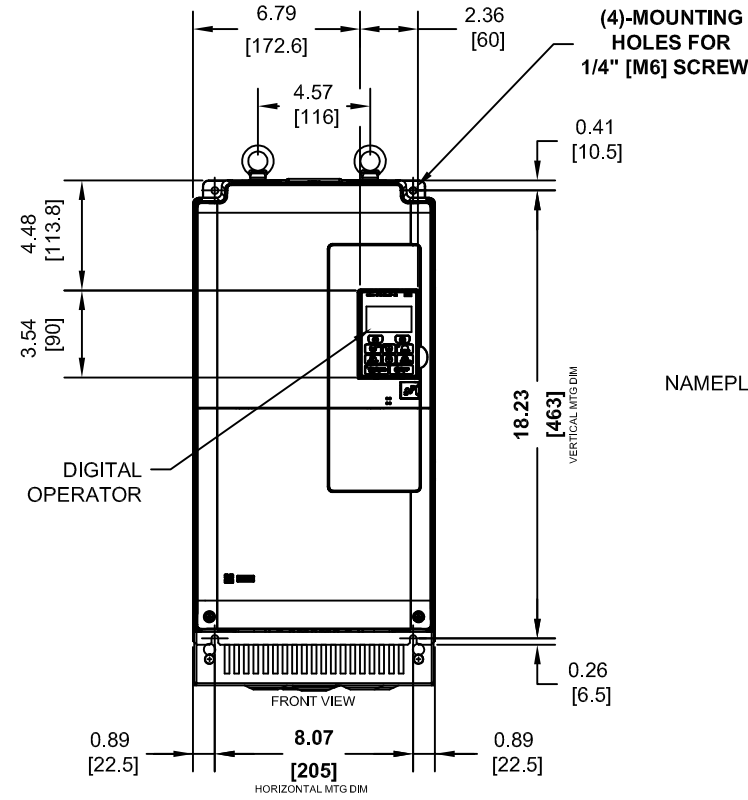
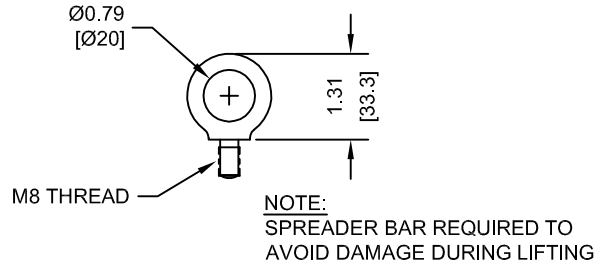


LIFTING AND EYEBOLT DETAILS



THE DIMENSIONS SHOWN ARE FOR AN IP00 OPEN TYPE DRIVE THAT HAS BEEN CONVERTED TO A NEMA TYPE 1 DRIVE BY ADDING THE PARTS FROM NEMA 1 KIT PART NUMBER EZZ022745A

MODEL # CIMR-UW	VOLTAGE 3-PHASE (VAC)	OUTPUT CURRENT (A)	WEIGHT LBS (Kg)	HEAT LOSS (W) (Fc=4kHz)			
				INT	EXT	TOT	
2□0028□□□	200/240	28	47 (21)	103	659	762	
4□0011□□□		11	47 (21)	80	452	532	
4□0014□□□		14	47 (21)	79	459	538	
4□0021□□□		380/500	21	47 (21)	105	641	746
4□0027□□□			27	47 (21)	106	675	781
4□0034□□□			34	47 (21)	124	798	922

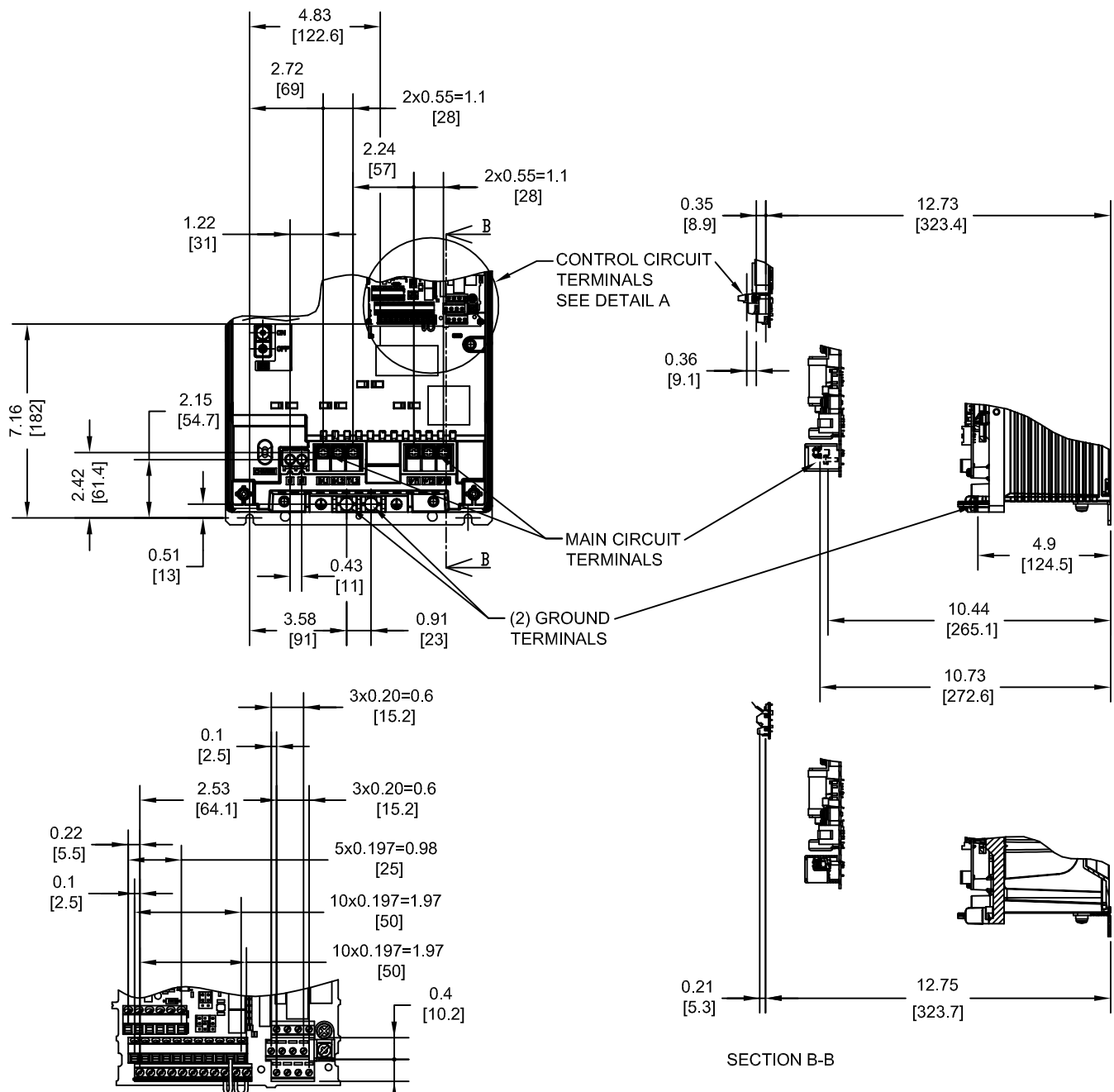
NOTES:
□ DENOTES A-Z
□□ DENOTES AAA-ZZZ

INT=INTERNAL COMPONENTS
EXT=EXTERNAL HEATSINK
TOT=TOTAL

FOR ADDITIONAL DETAILS AND SPECIFICATIONS, CONSULT MANUAL

TOLERANCES / REFERENCES:		YASKAWA	DRAWN: J. MATTAS	DATE 9-26-16	TITLE: U1000 iQpump DIMENSION DRAWING FRAME SIZE 1 NEMA TYPE 1 ENCLOSURE 2□0028 AND 4□0011 - 4□0034		
			CHECKED: J. PIOTROWSKI	DATE 9-29-16			
		THIS DOCUMENT AND INFORMATION CONTAINED IN IT ARE CONFIDENTIAL, AND CANNOT BE COPIED OR DISCLOSED IN WHOLE OR IN PART WITHOUT THE EXPRESS WRITTEN CONSENT OF YASKAWA AMERICA, INC.	TECH: J. BORJA	DATE 10-3-16	SIZE A	REVISION R00	PAGE 1 of 3
UNITS: IN[mm]	SCALE: 1:8		APPROVED: J. CAIRO	DATE 10-20-16	DRAWING #: DD.UW1K.FR1.N1		
		ORIGINAL DESIGN: -	DATE -				

TERMINAL AND WIRING DETAILS (SCALE 1:6)



DETAIL A (SCALE 1:3)
CONTROL CIRCUIT TERMINALS

TERMINAL AND WIRE SPECIFICATIONS FOR
MAIN CIRCUIT AND GROUND

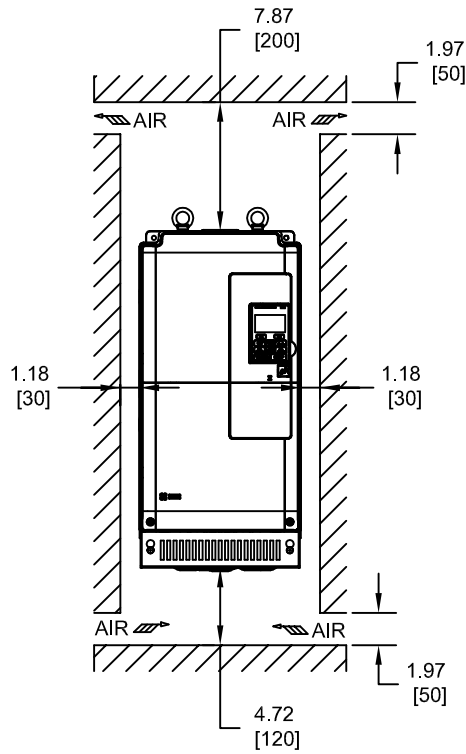
MODEL # CIMR-UW	TERMINAL SYMBOL	TERMINAL SCREW	CLAMPING TORQUE lb.in.(N.m.)	WIRE RANGE AWG(mm ²)
2□0028	R/L1, S/L2, T/L3	M5	20.4 TO 23.9 (2.3 TO 2.7)	14 TO 8 (2.5 TO 10)
4□0011	U/T1, V/T2, W/T3			
4□0014	p1, n1	M4	8.9 TO 12.4 (1 TO 1.4)	14 TO 12 (2.5 TO 4)
4□0021		M6	34.7 TO 43.4 (3.9 TO 4.9)	10 TO 6 (6 TO 16)
4□0027	⊕			
4□0034				

NOTE: REFER TO APPLICABLE CODES FOR PROPER WIRE TYPE AND SIZE

FOR ADDITIONAL DETAILS AND SPECIFICATIONS, CONSULT MANUAL

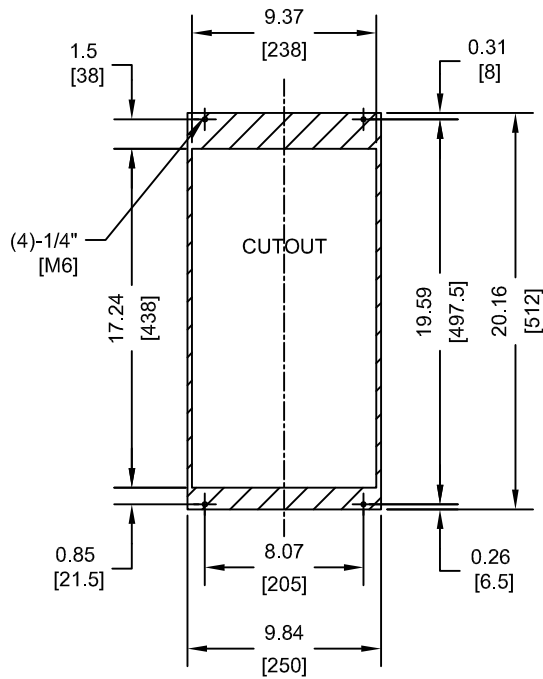
TOLERANCES / REFERENCES:		YASKAWA	DRAWN: J. MATTAS	DATE 9-26-16	TITLE: U1000 iQpump DIMENSION DRAWING FRAME SIZE 1	
			CHECKED: J. PIOTROWSKI	DATE 9-29-16	NEMA TYPE 1 ENCLOSURE	
		TECH: J. BORJA		DATE 10-3-16	2□0028 AND 4□0011 - 4□0034	
		APPROVED: J. CAIRO		DATE 10-20-16	SIZE A	REVISION R00
UNITS: IN[mm]	SCALE: BY VIEW	ORIGINAL DESIGN: -		DATE -	PAGE 2 of 3	
				DRAWING #: DD.UW1K.FR1.N1		

MINIMUM INSTALLATION CLEARANCES (SCALE 1:12)



NOTE:
FOR SIDE-BY-SIDE MOUNTING
CONSULT MANUAL

PANEL CUTOUT FOR EXTERNAL HEATSINK
MOUNTING CONFIGURATION (SCALE 1:10)



NOTES:
1. EXTERNAL HEATSINK
CONFIGURATION REQUIRES
MOUNTING KIT
2. EXPOSED HEATSINK
RECOMMENDED CLEARANCE
D=4.72"

FOR ADDITIONAL DETAILS AND SPECIFICATIONS, CONSULT MANUAL

TOLERANCES / REFERENCES:		YASKAWA	DRAWN: J. MATTAS	DATE 9-26-16	TITLE: U1000 iQpump DIMENSION DRAWING	
			CHECKED: J. PIOTROWSKI	DATE 9-29-16	FRAME SIZE 1	
		THIS DOCUMENT AND INFORMATION CONTAINED IN IT ARE CONFIDENTIAL, AND CANNOT BE COPIED OR DISCLOSED IN WHOLE OR IN PART WITHOUT THE EXPRESS WRITTEN CONSENT OF YASKAWA AMERICA, INC.		TECH: J. BORJA	DATE 10-3-16	NEMA TYPE 1 ENCLOSURE
				APPROVED: J. CAIRO	DATE 10-20-16	2□0028 AND 4□0011 - 4□0034
UNITS: IN[mm]	SCALE: BY VIEW	ORIGINAL DESIGN: -		DATE -	SIZE A	REVISION R00
				DATE -	PAGE 3 of 3	
				DRAWING #: DD.UW1K.FR1.N1		