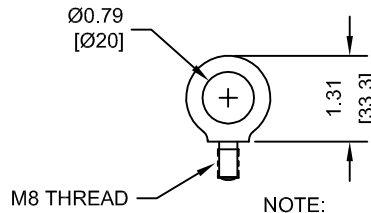
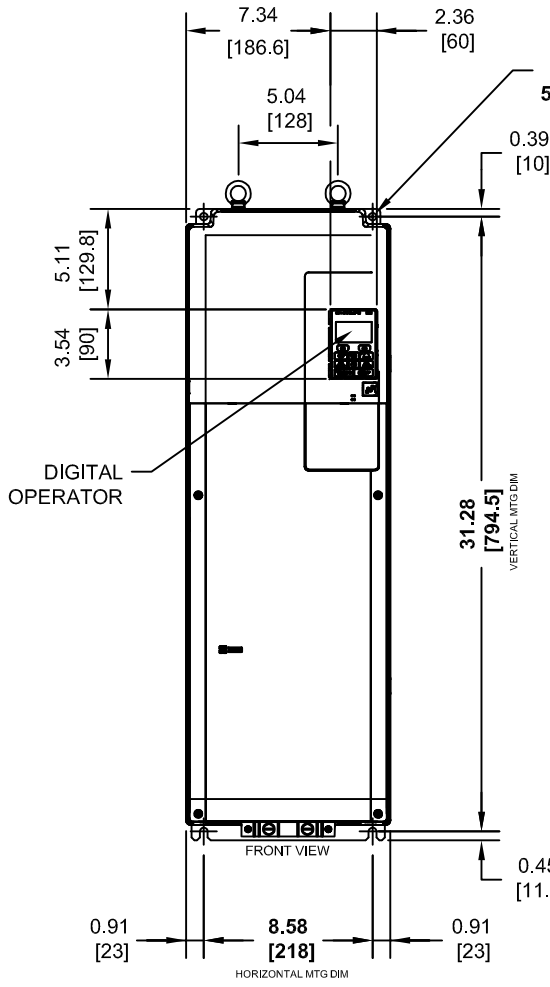


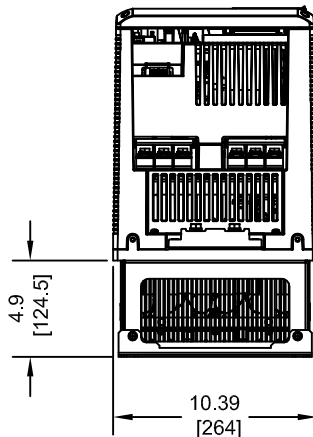
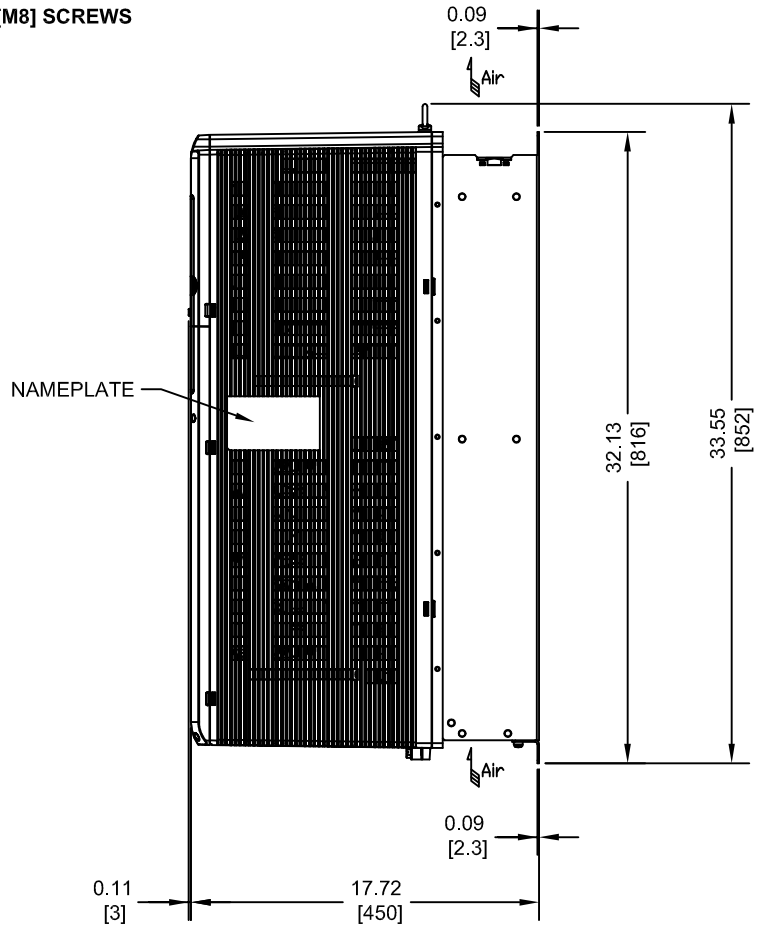
LIFTING AND EYEBOLT DETAILS



NOTE:
SPREADER BAR REQUIRED TO AVOID DAMAGE DURING LIFTING



(4)-MOUNTING HOLES FOR 5/16" [M8] SCREWS



MODEL # CIMR-UW	VOLTAGE 3-PHASE (VAC)	OUTPUT CURRENT (A)	WEIGHT LBS (Kg)	HEAT LOSS (W) (Fc=4kHz)		
				INT	EXT	TOT
2□0104□□□	200/240	104	132 (60)	282	1696	1978
2□0130□□□		130	132 (60)	341	2157	2498
4□0096□□□	380/500	96	132 (60)	290	1715	2005
4□0124□□□		124	132 (60)	362	2256	2618

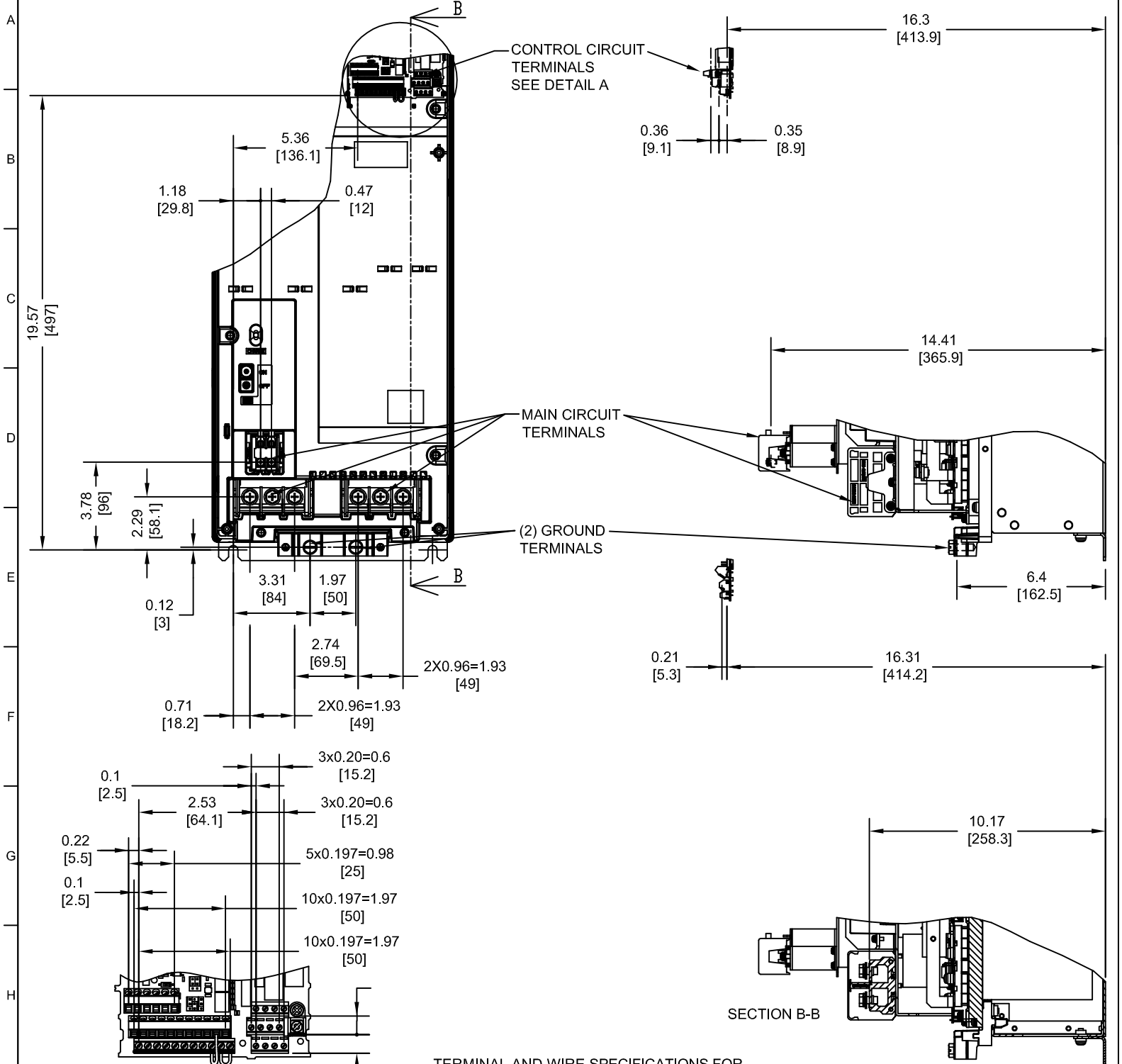
NOTES:
□ DENOTES A-Z
□□ DENOTES AAA-ZZZ

INT=INTERNAL COMPONENTS
EXT=EXTERNAL HEATSINK
TOT=TOTAL

FOR ADDITIONAL DETAILS AND SPECIFICATIONS, CONSULT MANUAL

TOLERANCES / REFERENCES:		YASKAWA	DRAWN: J. MATTAS	DATE 9-22-16	TITLE: U1000 iQpump DIMENSION DRAWING FRAME SIZE 3 IP00 ENCLOSURE	
			CHECKED: J. PIOTROWSKI	DATE 9-29-16	2□0104, 2□0130, 4□0096 AND 4□0124	
		THIS DOCUMENT AND INFORMATION CONTAINED IN IT ARE CONFIDENTIAL, AND CANNOT BE COPIED OR DISCLOSED IN WHOLE OR IN PART WITHOUT THE EXPRESS WRITTEN CONSENT OF YASKAWA AMERICA, INC.	TECH: J. BORJA	DATE 10-3-16	SIZE A	REVISION R00
UNITS: IN[mm]	SCALE: 1:10		APPROVED: J. CAIRO	DATE 10-20-16	PAGE 1 of 3	DRAWING #: DD.UW1K.FR3.IP00
		ORIGINAL DESIGN: -	DATE -			

TERMINAL AND WIRING DETAILS (SCALE 1:6)



DETAIL A (SCALE 1:3)
CONTROL CIRCUIT TERMINALS

TERMINAL AND WIRE SPECIFICATIONS FOR
MAIN CIRCUIT AND GROUND

MODEL # CIMR-UW	TERMINAL SYMBOL	TERMINAL SCREW	CLAMPING TORQUE lb.in.(N.m.)	WIRE RANGE AWG(mm ²)
2□0104	R/L1, S/L2, T/L3	M8	70.8 TO 88.5 (8 TO 10)	10 TO 1/0 (6 TO 50)
2□0130	U/T1, V/T2, W/T3			
4□0096	p1, n1	M4	10.6 TO 17.7 (1.2 TO 2.0)	14 TO 12 (2.5 TO 4)
4□0124	⊕	M8	78.1 TO 95.5 (8.8 TO 10.8)	4 TO 1 (25 TO 35)

NOTE: REFER TO APPLICABLE CODES FOR PROPER WIRE TYPE AND SIZE

TOLERANCES / REFERENCES:



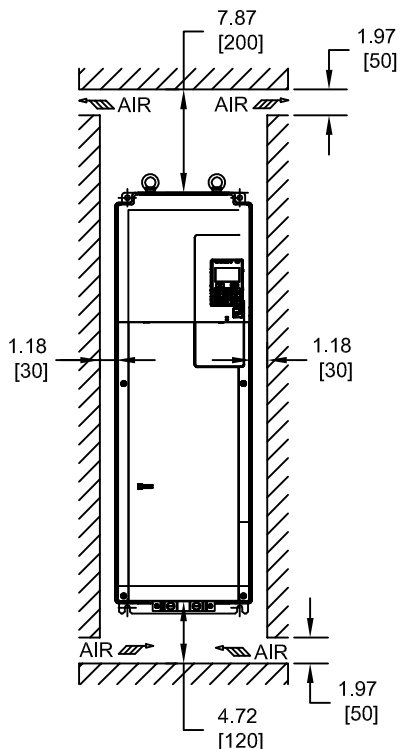
THIS DOCUMENT AND INFORMATION CONTAINED
IN IT ARE CONFIDENTIAL, AND CANNOT BE
COPIED OR DISCLOSED IN WHOLE OR IN PART
WITHOUT THE EXPRESS WRITTEN CONSENT
OF YASKAWA AMERICA, INC.

DRAWN: J. MATTAS	DATE 9-22-16
CHECKED: J. PIOTROWSKI	DATE 9-29-16
TECH: J. BORJA	DATE 10-3-16
APPROVED: J. CAIRO	DATE 10-20-16
ORIGINAL DESIGN:	DATE -

TITLE: U1000 iQpump DIMENSION DRAWING FRAME SIZE 3 IP00 ENCLOSURE		
2□0104, 2□0130, 4□0096 AND 4□0124		
SIZE A	REVISION R00	PAGE 2 of 3
DRAWING #: DD.UW1K.FR3.IP00		

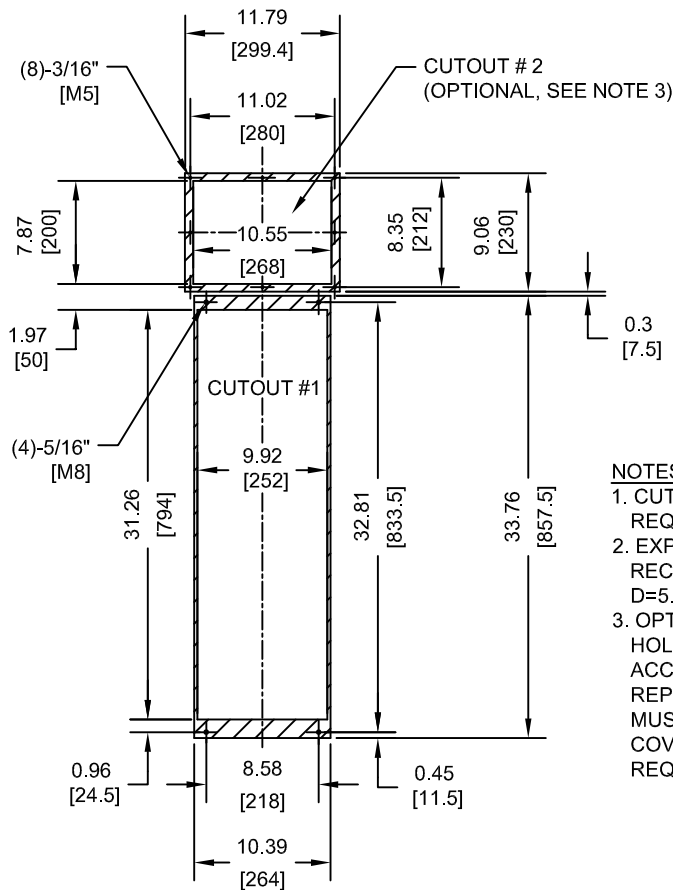
UNITS: IN[mm] SCALE: BY VIEW

MINIMUM INSTALLATION CLEARANCES (SCALE 1:15)



NOTE:
FOR SIDE-BY-SIDE MOUNTING
CONSULT MANUAL

PANEL CUTOUT FOR EXTERNAL HEATSINK
MOUNTING CONFIGURATION (SCALE 1:15)



NOTES:

- CUTOUT #1: EXTERNAL HEATSINK, REQUIRES MOUNTING KIT
- EXPOSED HEATSINK RECOMMENDED CLEARANCE D=5.51"
- OPTIONAL CUTOUT #2 IS AN ACCESS HOLE TO ALLOW FOR FRONT ACCESS DURING HEATSINK COOLING FAN REPLACEMENT. THE PANEL BUILDER MUST SUPPLY THE APPROPRIATE COVER PLATE AND HARDWARE REQUIRED TO CLOSE THIS OPENING.

FOR ADDITIONAL DETAILS AND SPECIFICATIONS, CONSULT MANUAL

TOLERANCES / REFERENCES:		YASKAWA	DRAWN: J. MATTAS	DATE: 9-22-16	TITLE: U1000 iQpump DIMENSION DRAWING	
			CHECKED: J. PIOTROWSKI	DATE: 9-29-16	FRAME SIZE 3	
		THIS DOCUMENT AND INFORMATION CONTAINED IN IT ARE CONFIDENTIAL, AND CANNOT BE COPIED OR DISCLOSED IN WHOLE OR IN PART WITHOUT THE EXPRESS WRITTEN CONSENT OF YASKAWA AMERICA, INC.		TECH: J. BORJA	DATE: 10-3-16	IP00 ENCLOSURE
				APPROVED: J. CAIRO	DATE: 10-20-16	2□0104, 2□0130, 4□0096 AND 4□0124
UNITS: IN[mm]	SCALE: BY VIEW	ORIGINAL DESIGN: -		DATE: -	SIZE: A	REVISION: R00
				DRAWING #: DD.UW1K.FR3.IP00		PAGE: 3 of 3