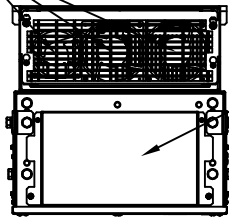


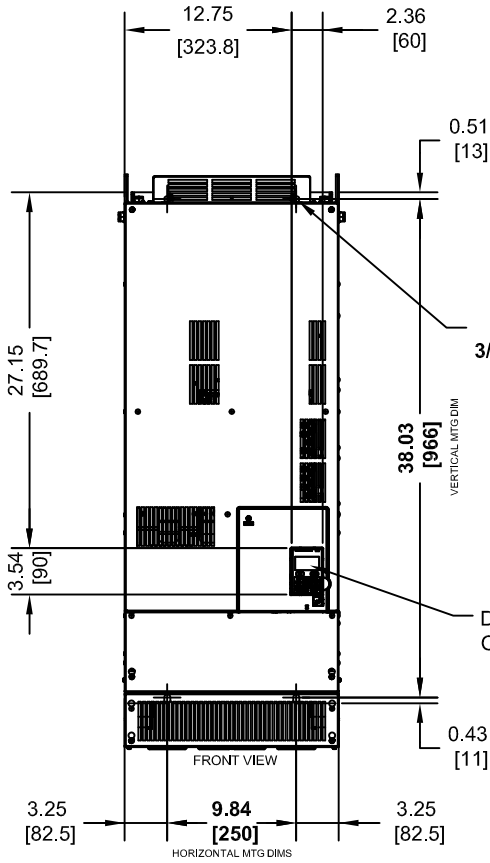
(3) EXTERNAL COOLING FANS



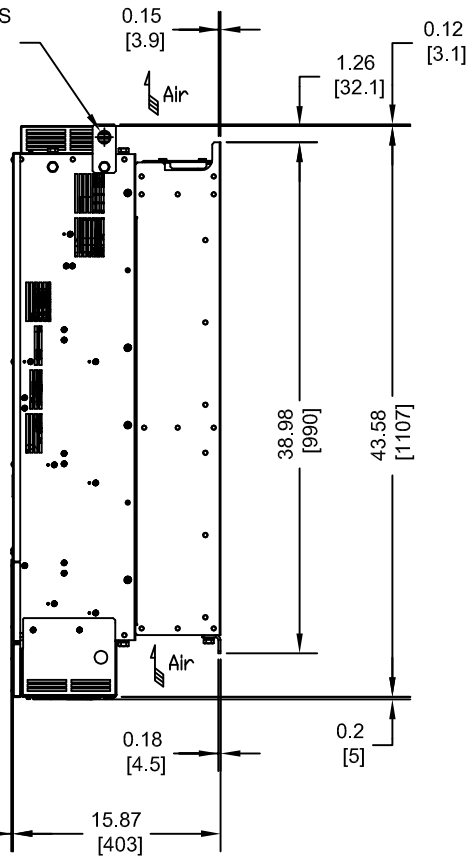
TOP PROTECTIVE COVER

LIFTING NOTES:

1. SPREADER BAR REQUIRED TO AVOID DAMAGE DURING LIFTING.
2. FOUR (4) LIFTING BRACKETS NEEDED ON TOP SIDE FOR VERTICAL LIFTING. REFER TO MANUAL FOR DETAILS.



(4)-LIFTING HOLES
Ø0.98 [Ø25]



(4)-MOUNTING HOLES FOR 3/8" [M10] SCREWS

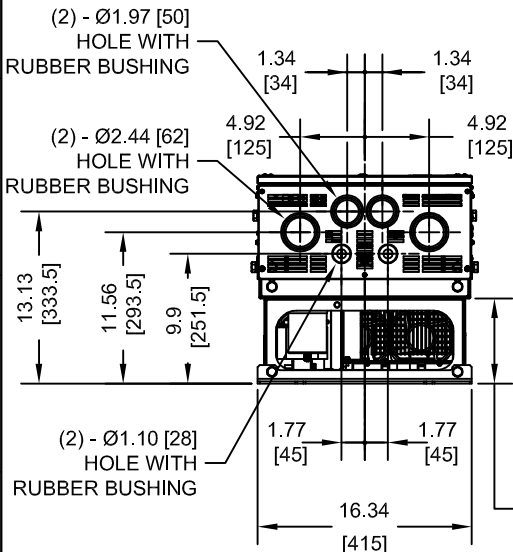
VERTICAL MTG DIM

DIGITAL OPERATOR

FRONT VIEW

HORIZONTAL MTG DIMS

THE DIMENSIONS SHOWN ARE FOR AN IP00 OPEN TYPE DRIVE THAT HAS BEEN CONVERTED TO A NEMA TYPE 1 DRIVE BY ADDING THE PARTS FROM NEMA 1 KIT PART NUMBER EZZ022745D



MODEL # CIMR-UW	VOLTAGE 3-PHASE (VAC)	OUTPUT CURRENT (A)	WEIGHT LBS (Kg)	HEAT LOSS (W) (Fc=4kHz)		
				INT	EXT	TOT
2□0154□□□	200/240	154	249 (113)	366	2441	2807
2□0192□□□		192	249 (113)	447	3064	3511
4□0156□□□	380/500	156	249 (113)	421	2857	3278
4□0180□□□		180	249 (113)	482	3316	3798

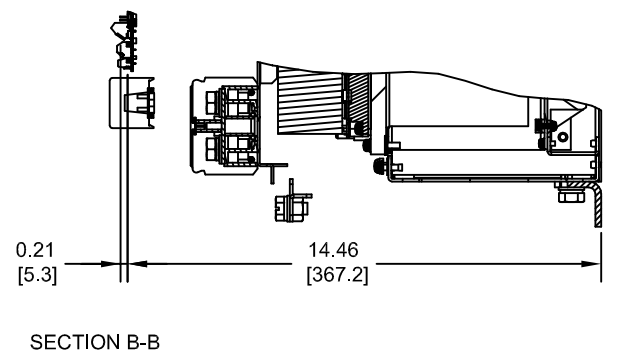
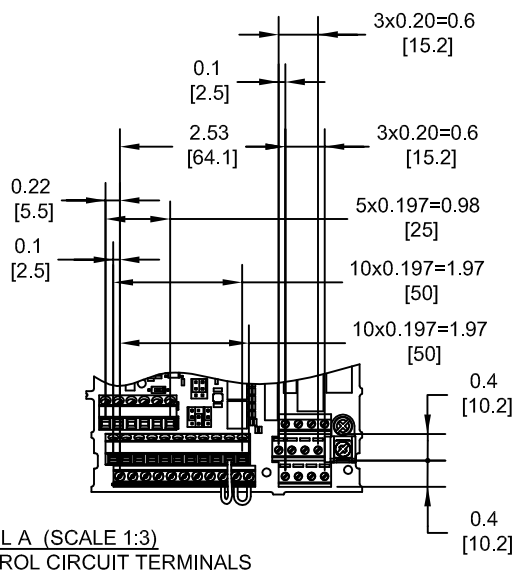
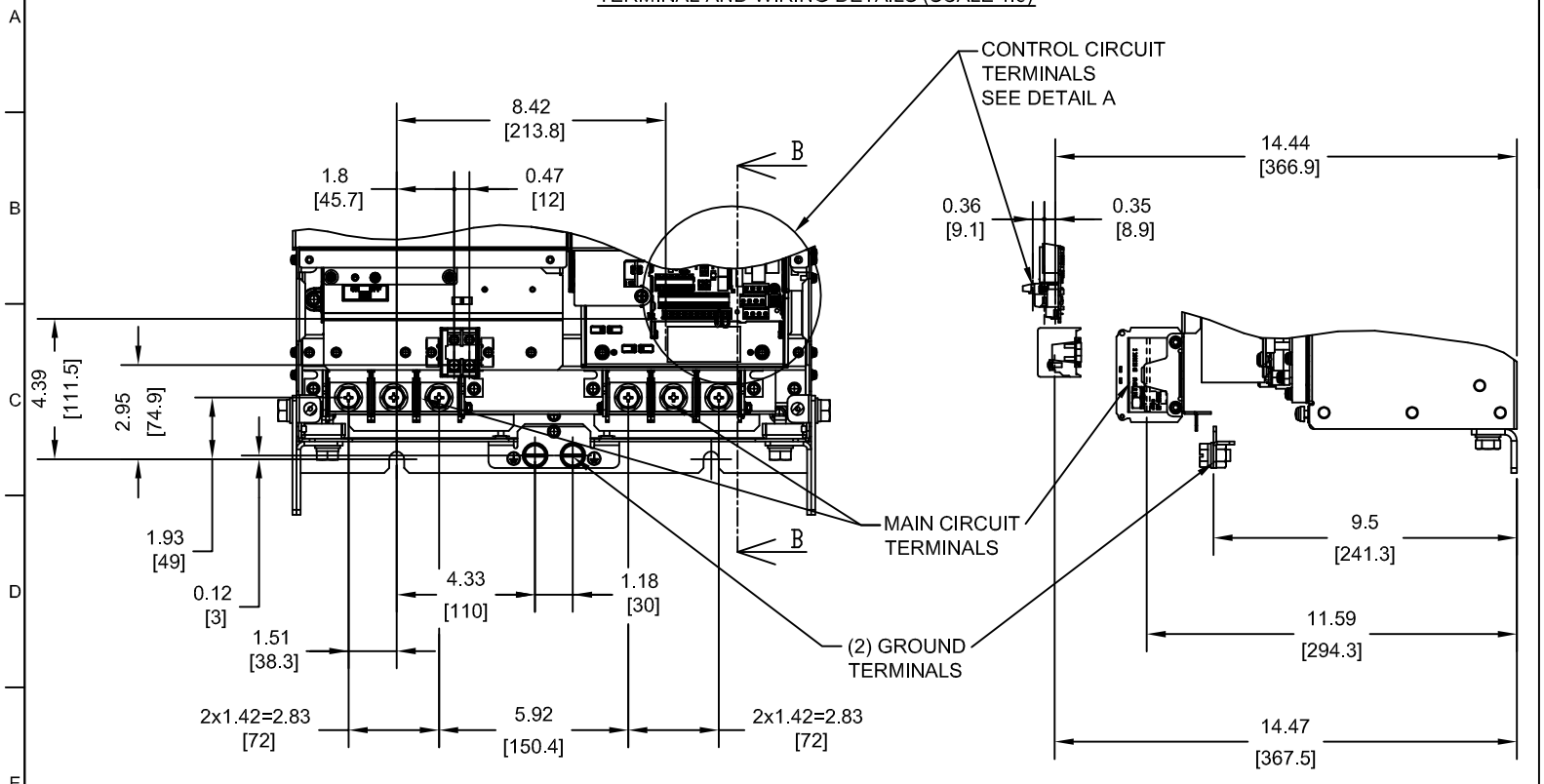
NOTES:
□ DENOTES A-Z
□□□ DENOTES AAA-ZZZ

INT=INTERNAL COMPONENTS
EXT=EXTERNAL HEATSINK
TOT=TOTAL

FOR ADDITIONAL DETAILS AND SPECIFICATIONS, CONSULT MANUAL

TOLERANCES / REFERENCES:		YASKAWA	DRAWN: J. MATTAS	DATE 9-26-16	TITLE: U1000 iQpump DIMENSION DRAWING	
			CHECKED: J. PIOTROWSKI	DATE 9-29-16	FRAME SIZE 4	
			TECH: J. BORJA	DATE 10-3-16	NEMA TYPE 1 ENCLOSURE	
			APPROVED: J. CAIRO	DATE 10-20-16	SIZE A	REVISION R00
UNITS: IN[mm]	SCALE: 1:15	THIS DOCUMENT AND INFORMATION CONTAINED IN IT ARE CONFIDENTIAL, AND CANNOT BE COPIED OR DISCLOSED IN WHOLE OR IN PART WITHOUT THE EXPRESS WRITTEN CONSENT OF YASKAWA AMERICA, INC.	ORIGINAL DESIGN: -	DATE -	PAGE 1 of 3	
			DRAWING #: DD.UW1K.FR4.N1			

TERMINAL AND WIRING DETAILS (SCALE 1:6)



TERMINAL AND WIRE SPECIFICATIONS FOR MAIN CIRCUIT AND GROUND

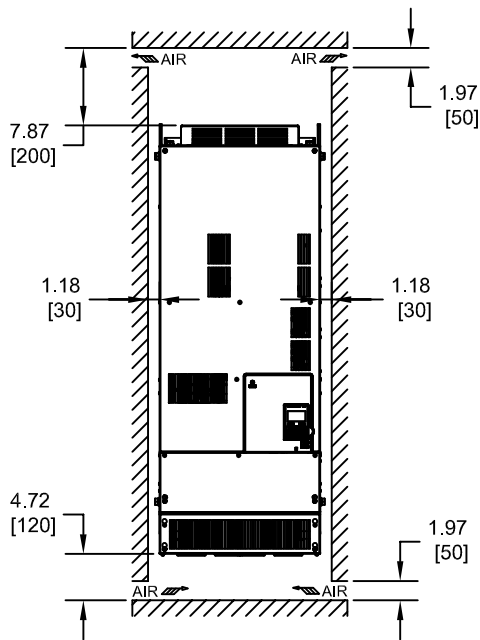
MODEL # CIMR-UW	TERMINAL SYMBOL	TERMINAL SCREW	CLAMPING TORQUE lb.in.(N.m.)	WIRE RANGE AWG(mm ²)
2□0154	R/L1, S/L2, T/L3	M10	133 TO 177 (15 TO 20)	10 TO 4/0 (6 TO 95)
2□0192	U/T1, V/T2, W/T3			
4□0156	p1, n1	M4	10.6 TO 17.7 (1.2 TO 2.0)	14 TO 12 (2.5 TO 4)
4□0180	⊕	M10	156 TO 200 (17.7 TO 22.6)	4 TO 2/0 (25 TO 70)

NOTE: REFER TO APPLICABLE CODES FOR PROPER WIRE TYPE AND SIZE

TOLERANCES / REFERENCES:		YASKAWA	DRAWN: J. MATTAS	DATE 9-26-16	TITLE: U1000 iQpump DIMENSION DRAWING		
UNITS: IN[mm]	SCALE: BY VIEW		CHECKED: J. PIOTROWSKI	DATE 9-29-16	FRAME SIZE 4		
		TECH: J. BORJA		DATE 10-3-16	NEMA TYPE 1 ENCLOSURE		
		APPROVED: J. CAIRO		DATE 10-20-16	SIZE A	REVISION R00	PAGE 2 of 3
		ORIGINAL DESIGN: -		DATE -	DRAWING #: DD.UW1K.FR4.N1		

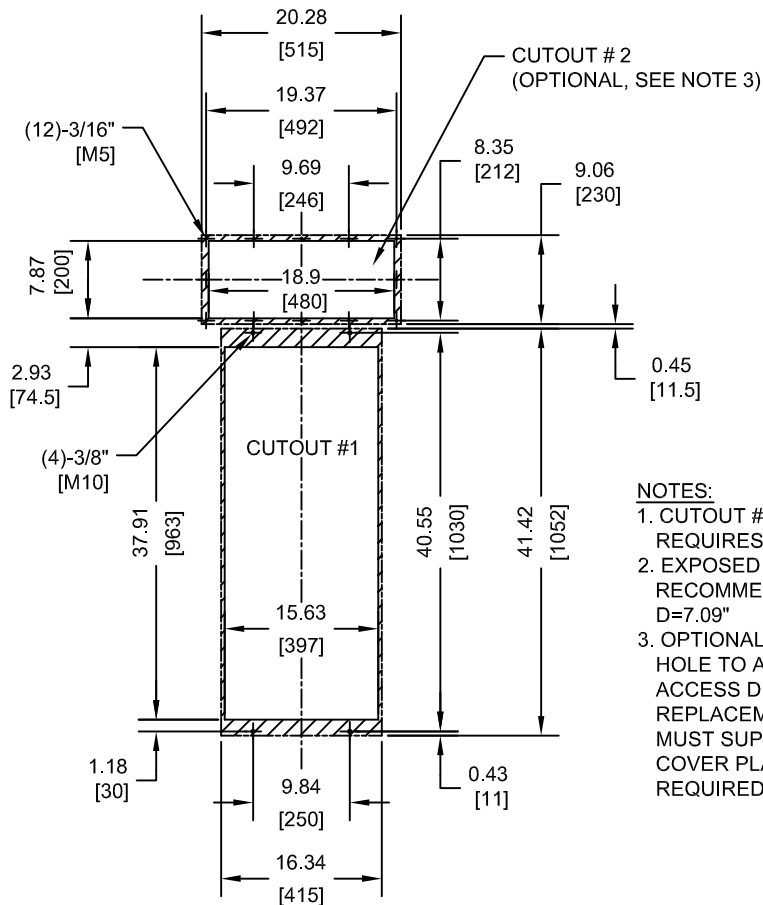
THIS DOCUMENT AND INFORMATION CONTAINED IN IT ARE CONFIDENTIAL, AND CANNOT BE COPIED OR DISCLOSED IN WHOLE OR IN PART WITHOUT THE EXPRESS WRITTEN CONSENT OF YASKAWA AMERICA, INC.

MINIMUM INSTALLATION CLEARANCES (SCALE 1:20)



NOTE:
FOR SIDE-BY-SIDE MOUNTING
CONSULT MANUAL

PANEL CUTOUT FOR EXTERNAL HEATSINK
MOUNTING CONFIGURATION (SCALE 1:20)



- NOTES:
1. CUTOUT #1: EXTERNAL HEATSINK, REQUIRES MOUNTING KIT
 2. EXPOSED HEATSINK RECOMMENDED CLEARANCE D=7.09"
 3. OPTIONAL CUTOUT #2 IS AN ACCESS HOLE TO ALLOW FOR FRONT ACCESS DURING HEATSINK COOLING FAN REPLACEMENT. THE PANEL BUILDER MUST SUPPLY THE APPROPRIATE COVER PLATE AND HARDWARE REQUIRED TO CLOSE THIS OPENING.

FOR ADDITIONAL DETAILS AND SPECIFICATIONS, CONSULT MANUAL

TOLERANCES / REFERENCES:		YASKAWA	DRAWN: J. MATTAS	DATE 9-26-16	TITLE: U1000 iQpump DIMENSION DRAWING
			CHECKED: J. PIOTROWSKI	DATE 9-29-16	FRAME SIZE 4
		THIS DOCUMENT AND INFORMATION CONTAINED IN IT ARE CONFIDENTIAL, AND CANNOT BE COPIED OR DISCLOSED IN WHOLE OR IN PART WITHOUT THE EXPRESS WRITTEN CONSENT OF YASKAWA AMERICA, INC.			NEMA TYPE 1 ENCLOSURE
					2-0154, 2-0192, 4-0156 AND 4-0180
UNITS: IN[mm]	SCALE: BY VIEW	TECH: J. BORJA	DATE 10-3-16	SIZE A	REVISION R00
		APPROVED: J. CAIRO	DATE 10-20-16	PAGE 3 of 3	
		ORIGINAL DESIGN: -	DATE -	DRAWING #: DD.UW1K.FR4.N1	