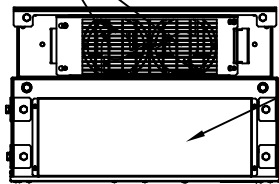


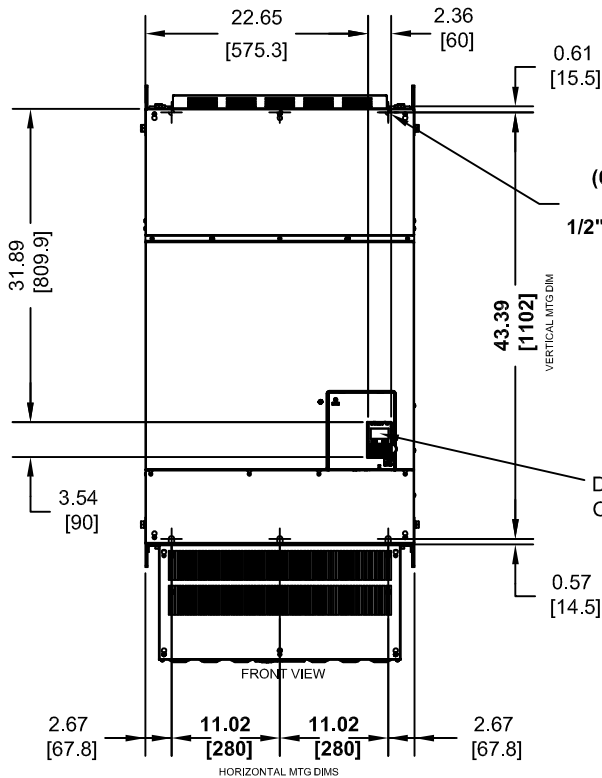
(2) EXTERNAL COOLING FANS



TOP PROTECTIVE COVER

LIFTING NOTES:

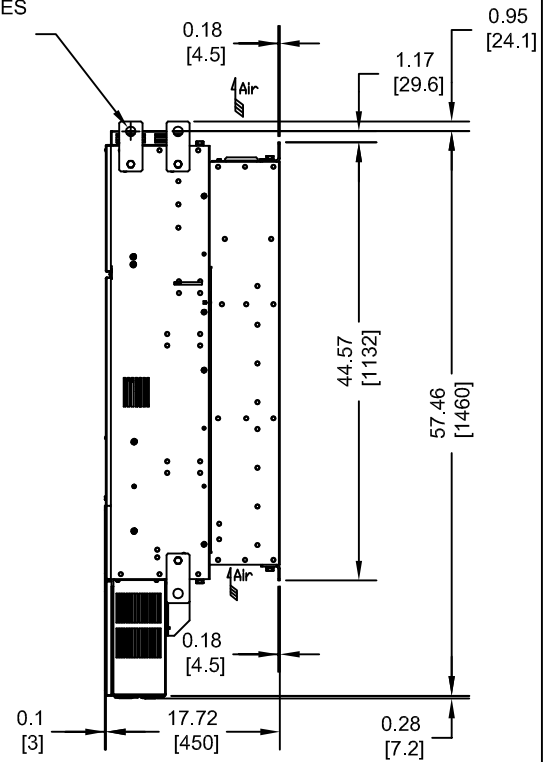
1. SPREADER BAR REQUIRED TO AVOID DAMAGE DURING LIFTING.
2. FOUR (4) LIFTING BRACKETS NEEDED ON TOP SIDE FOR VERTICAL LIFTING. REFER TO MANUAL FOR DETAILS.



(6)-MOUNTING HOLES FOR 1/2" [M12] SCREWS

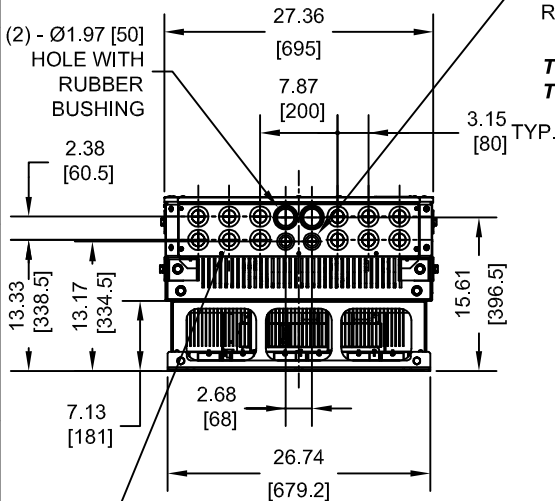
DIGITAL OPERATOR

(6)-LIFTING HOLES
Ø0.98 [Ø25]



(2) - Ø1.38 [35] HOLE WITH RUBBER BUSHING

THE DIMENSIONS SHOWN ARE FOR AN IP00 OPEN TYPE DRIVE THAT HAS BEEN CONVERTED TO A NEMA TYPE 1 DRIVE BY ADDING THE PARTS FROM NEMA 1 KIT PART NUMBER EZZ022745F



(2) - Ø1.97 [50] HOLE WITH RUBBER BUSHING

(12) - Ø1.73 [44] HOLE WITH RUBBER BUSHING

MODEL # CIMR-UW	VOLTAGE 3-PHASE (VAC)	OUTPUT CURRENT (A)	WEIGHT LBS (Kg)	HEAT LOSS (W) (Fc=4kHz)		
				INT	EXT	TOT
4□0302□□□	380/500	302	595 (270)	857	5202	6059
4□0361□□□		361	595 (270)	863	5434	6297
4□0414□□□		414	595 (270)	1012	6444	7456

NOTES:
□ DENOTES A-Z
□□ DENOTES AAA-ZZZ

INT=INTERNAL COMPONENTS
EXT=EXTERNAL HEATSINK
TOT=TOTAL

FOR ADDITIONAL DETAILS AND SPECIFICATIONS, CONSULT MANUAL

TOLERANCES / REFERENCES:

YASKAWA

THIS DOCUMENT AND INFORMATION CONTAINED IN IT ARE CONFIDENTIAL, AND CANNOT BE COPIED OR DISCLOSED IN WHOLE OR IN PART WITHOUT THE EXPRESS WRITTEN CONSENT OF YASKAWA AMERICA, INC.

DRAWN: J. MATTAS
CHECKED: J. PIOTROWSKI
TECH: J. BORJA
APPROVED: J. CAIRO
ORIGINAL DESIGN: -

DATE: 9-26-16
DATE: 9-29-16
DATE: 10-3-16
DATE: 10-20-16
DATE: -

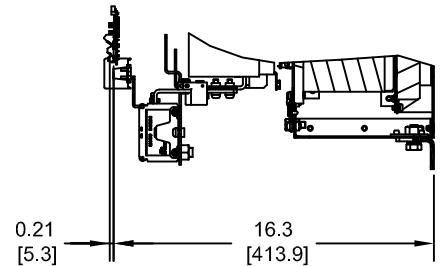
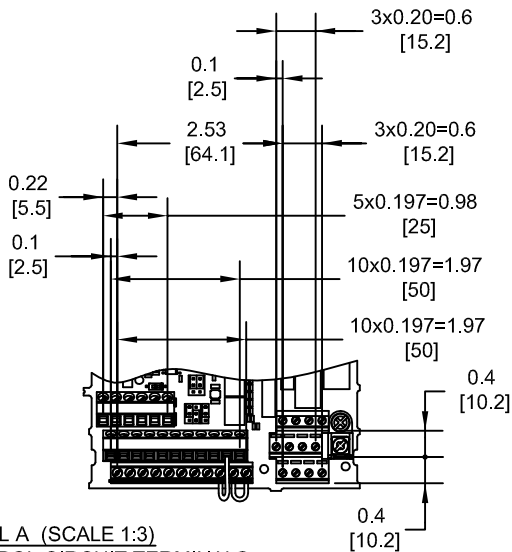
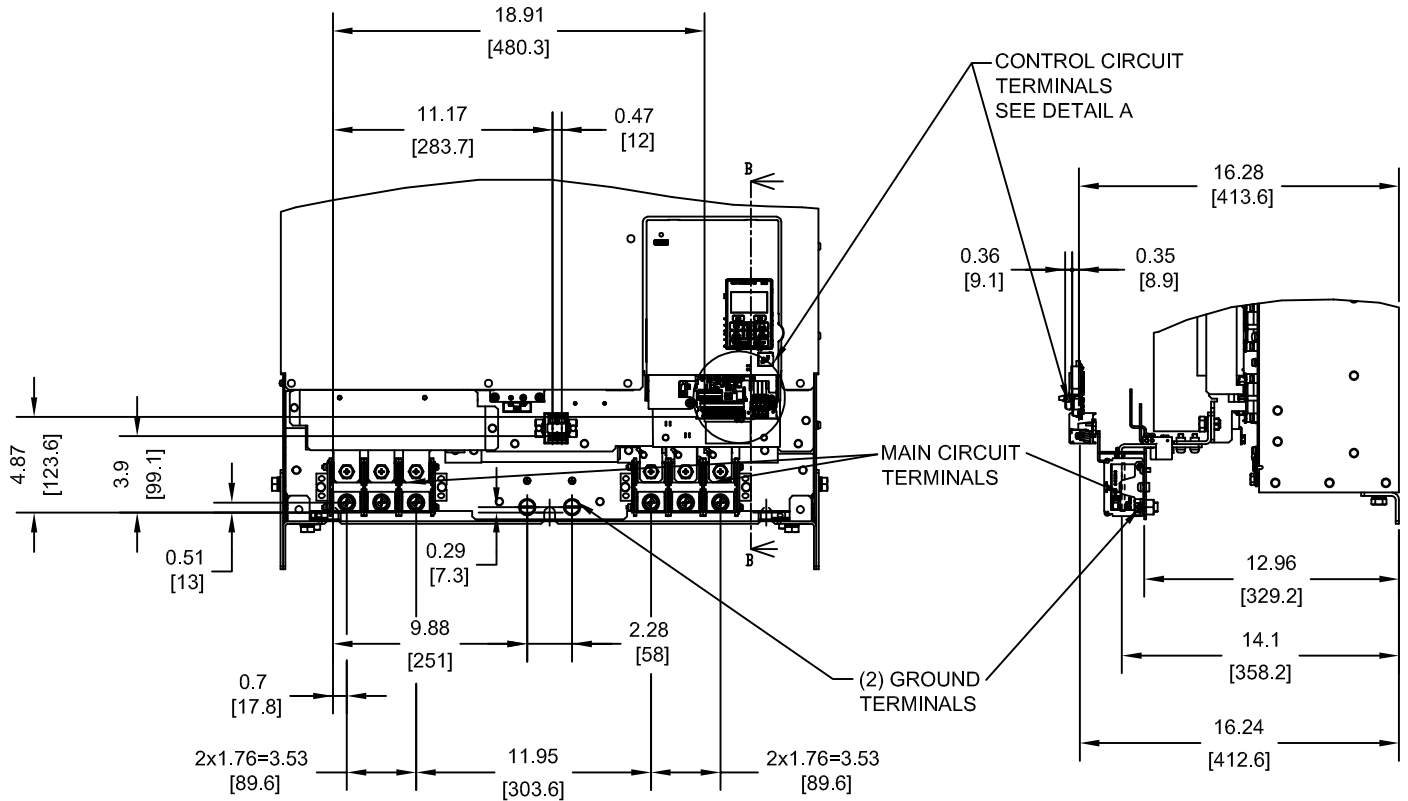
TITLE: U1000 iQpump DIMENSION DRAWING
FRAME SIZE 5
NEMA TYPE 1 ENCLOSURE
4□0302, 4□0361 AND 4□0414
SIZE: A
REVISION: R00
PAGE: 1 of 4
DRAWING #: DD.UW1K.FR5.N1

UNITS: IN[mm]

SCALE: 1:20

TERMINAL AND WIRING INFORMATION FOR: UW4□0302 AND UW4□0361

TERMINAL AND WIRING DETAILS (SCALE 1:10)



TERMINAL AND WIRE SPECIFICATIONS FOR MAIN CIRCUIT AND GROUND

MODEL # CIMR-UW	TERMINAL SYMBOL	TERMINAL SCREW	CLAMPING TORQUE lb.in.(N.m.)	WIRE RANGE AWG(mm ²)
4□0302 4□0361	R/L1, S/L2, T/L3	M10	133 TO 177 (15 TO 20)	(2)10 TO 4/0 (6 TO 95)
	U/T1, V/T2, W/T3			
	p1, n1	M4	10.6 TO 17.7 (1.2 TO 2.0)	14 TO 12 (2.5 TO 4)
	⊕	M12	278 TO 347 (31.4 TO 39.2)	1 TO 300 (35 TO 150)

NOTE: REFER TO APPLICABLE CODES FOR PROPER WIRE TYPE AND SIZE

TOLERANCES / REFERENCES:

YASKAWA

THIS DOCUMENT AND INFORMATION CONTAINED IN IT ARE CONFIDENTIAL, AND CANNOT BE COPIED OR DISCLOSED IN WHOLE OR IN PART WITHOUT THE EXPRESS WRITTEN CONSENT OF YASKAWA AMERICA, INC.

DRAWN:
J. MATTAS

DATE
9-26-16

TITLE:
U1000 iQpump DIMENSION DRAWING

CHECKED:
J. PIOTROWSKI

DATE
9-29-16

FRAME SIZE 5

TECH:
J. BORJA

DATE
10-3-16

NEMA TYPE 1 ENCLOSURE

APPROVED:
J. CAIRO

DATE
10-20-16

4□0302, 4□0361 AND 4□0414

ORIGINAL DESIGN:

DATE
-

SIZE
A

REVISION
R00

PAGE
2 of 4

UNITS:
IN[mm]

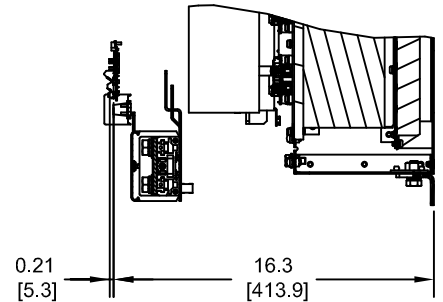
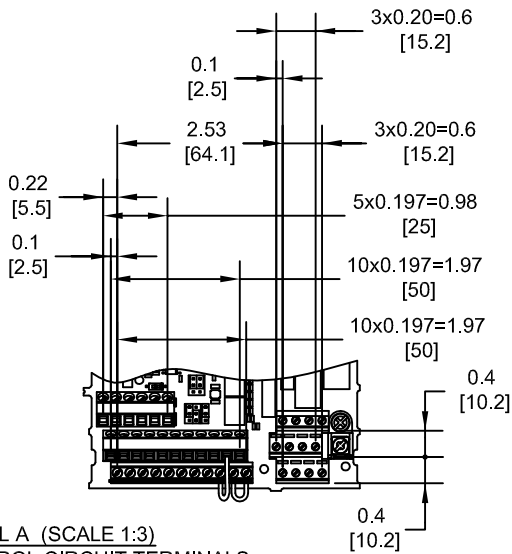
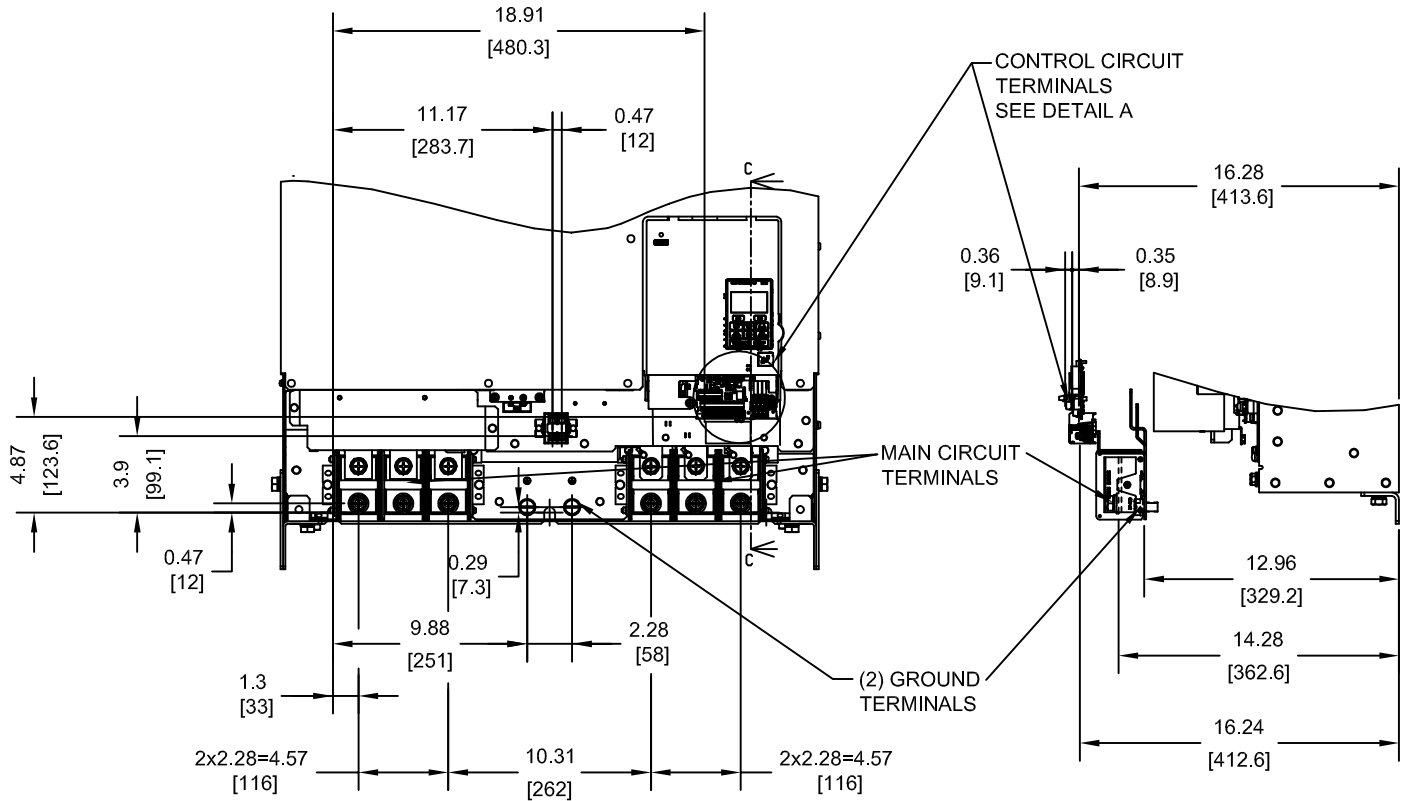
SCALE:
BY VIEW

DRAWING #:

DD.UW1K.FR5.N1

TERMINAL AND WIRING INFORMATION FOR: UW4□0414

TERMINAL AND WIRING DETAILS (SCALE 1:10)



SECTION C-C

DETAIL A (SCALE 1:3)
CONTROL CIRCUIT TERMINALS

TERMINAL AND WIRE SPECIFICATIONS FOR
MAIN CIRCUIT AND GROUND

MODEL # CIMR-UW	TERMINAL SYMBOL	TERMINAL SCREW	CLAMPING TORQUE lb.in.(N.m.)	WIRE RANGE AWG(mm ²)
4□0414	R/L1, S/L2, T/L3	M12	221 TO 310 (25 TO 35)	(2)8 TO 300kcmil (10 TO 150)
	U/T1, V/T2, W/T3			
	p1, n1	M4	10.6 TO 17.7 (1.2 TO 2.0)	14 TO 12 (2.5 TO 4)
	⊕	M12	278 TO 347 (31.4 TO 39.2)	1/0 TO 450 (50 TO 240)

NOTE: REFER TO APPLICABLE CODES FOR PROPER WIRE TYPE AND SIZE

TOLERANCES / REFERENCES:

YASKAWA

THIS DOCUMENT AND INFORMATION CONTAINED
IN IT ARE CONFIDENTIAL, AND CANNOT BE
COPIED OR DISCLOSED IN WHOLE OR IN PART
WITHOUT THE EXPRESS WRITTEN CONSENT
OF YASKAWA AMERICA, INC.

DRAWN:
J. MATTAS

DATE
9-26-16

TITLE:
U1000 iQpump DIMENSION DRAWING

CHECKED:
J. PIOTROWSKI

DATE
9-29-16

FRAME SIZE 5

TECH:
J. BORJA

DATE
10-3-16

NEMA TYPE 1 ENCLOSURE

APPROVED:
J. CAIRO

DATE
10-20-16

4□0302, 4□0361 AND 4□0414

ORIGINAL DESIGN:

DATE
-

SIZE
A

REVISION
R00

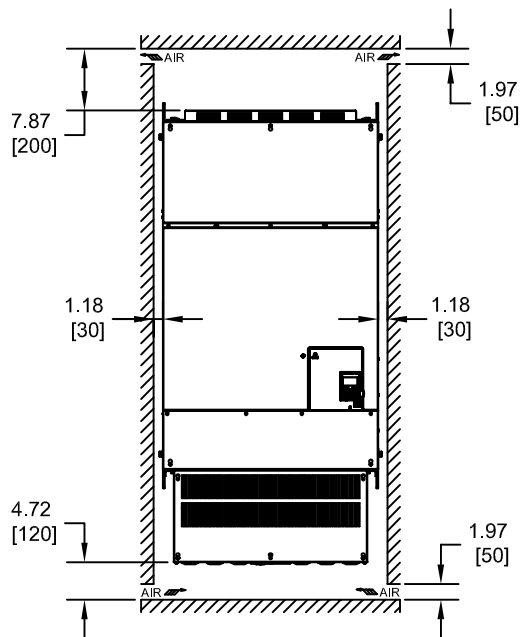
PAGE
3 of 4

UNITS:
IN[mm]

SCALE:
BY VIEW

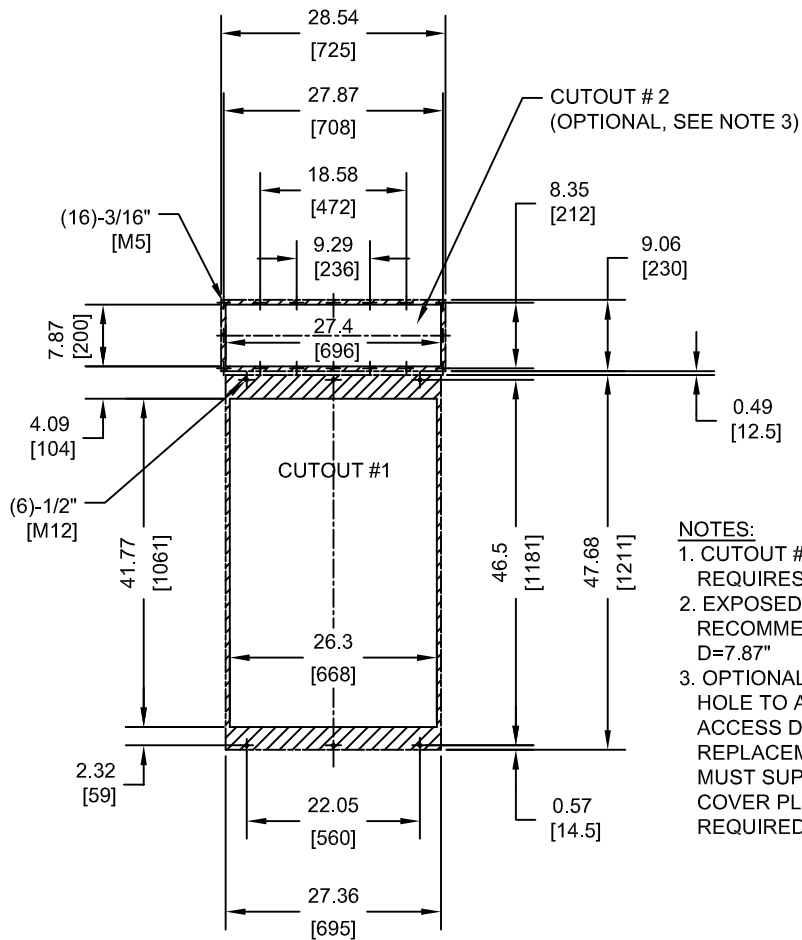
DRAWING #:
DD.UW1K.FR5.N1

MINIMUM INSTALLATION CLEARANCES (SCALE 1:25)



NOTE:
FOR SIDE-BY-SIDE MOUNTING
CONSULT MANUAL

PANEL CUTOUT FOR EXTERNAL HEATSINK
MOUNTING CONFIGURATION (SCALE 1:25)



NOTES:

- CUTOUT #1: EXTERNAL HEATSINK, REQUIRES MOUNTING KIT
- EXPOSED HEATSINK RECOMMENDED CLEARANCE D=7.87"
- OPTIONAL CUTOUT #2 IS AN ACCESS HOLE TO ALLOW FOR FRONT ACCESS DURING HEATSINK COOLING FAN REPLACEMENT. THE PANEL BUILDER MUST SUPPLY THE APPROPRIATE COVER PLATE AND HARDWARE REQUIRED TO CLOSE THIS OPENING.

FOR ADDITIONAL DETAILS AND SPECIFICATIONS, CONSULT MANUAL

TOLERANCES / REFERENCES:		YASKAWA	DRAWN: J. MATTAS	DATE 9-26-16	TITLE: U1000 iQpump DIMENSION DRAWING	
			CHECKED: J. PIOTROWSKI	DATE 9-29-16	FRAME SIZE 5	
		THIS DOCUMENT AND INFORMATION CONTAINED IN IT ARE CONFIDENTIAL, AND CANNOT BE COPIED OR DISCLOSED IN WHOLE OR IN PART WITHOUT THE EXPRESS WRITTEN CONSENT OF YASKAWA AMERICA, INC.		TECH: J. BORJA	DATE 10-3-16	NEMA TYPE 1 ENCLOSURE
				APPROVED: J. CAIRO	DATE 10-20-16	4□0302, 4□0361 AND 4□0414
UNITS: IN[mm]	SCALE: BY VIEW	ORIGINAL DESIGN: -		DATE -	SIZE A	REVISION R00
				PAGE 4 of 4		DRAWING #: DD.UW1K.FR5.N1