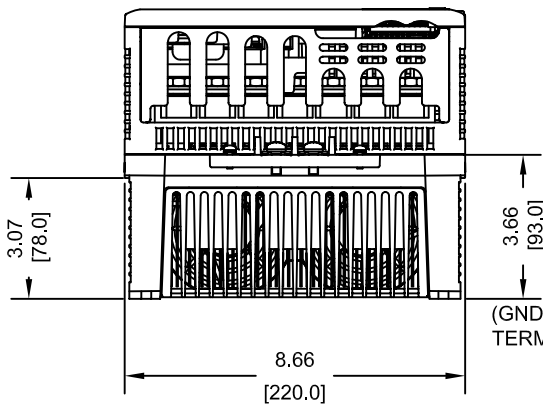
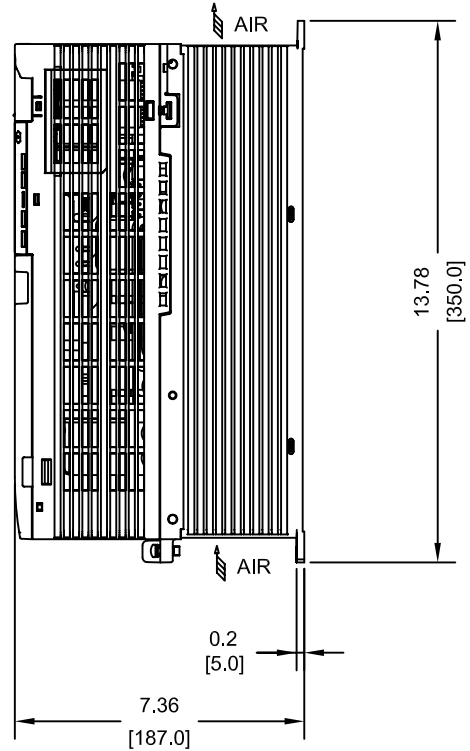
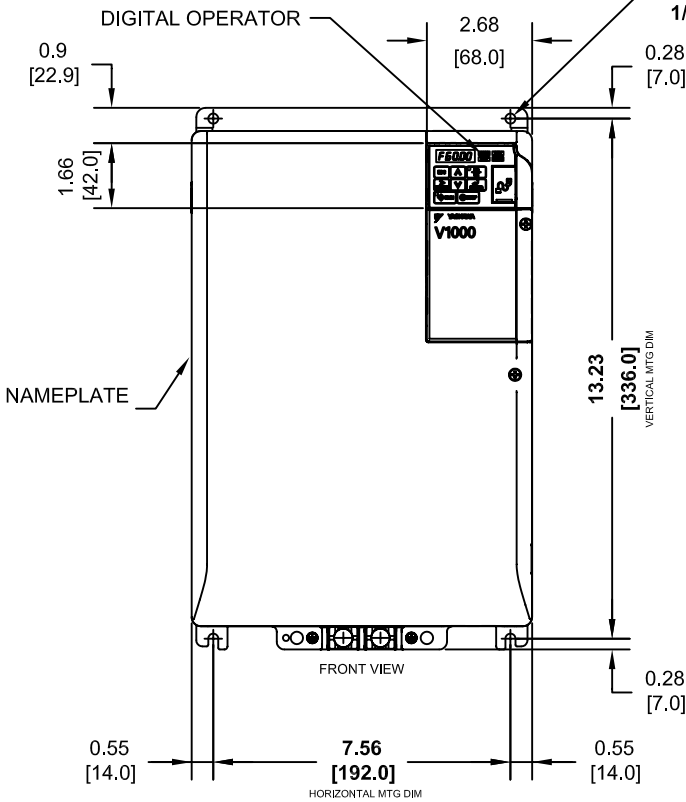


(2) COOLING FANS



MODEL # CIMR-VU	VOLTAGE THREE PHASE (VAC)	OUTPUT CURRENT (A)		WEIGHT LBS (Kg)	HEAT LOSS (W)					
					ND (Fc=2kHz)			HD (Fc=8kHz)		
		ND	HD		INT	EXT	TOT	INT	EXT	TOT
2A0069AXX	208/240	69.0	60.0	19.1 (8.7)	184.5	461.7	646.2	151.4	437.7	589.1

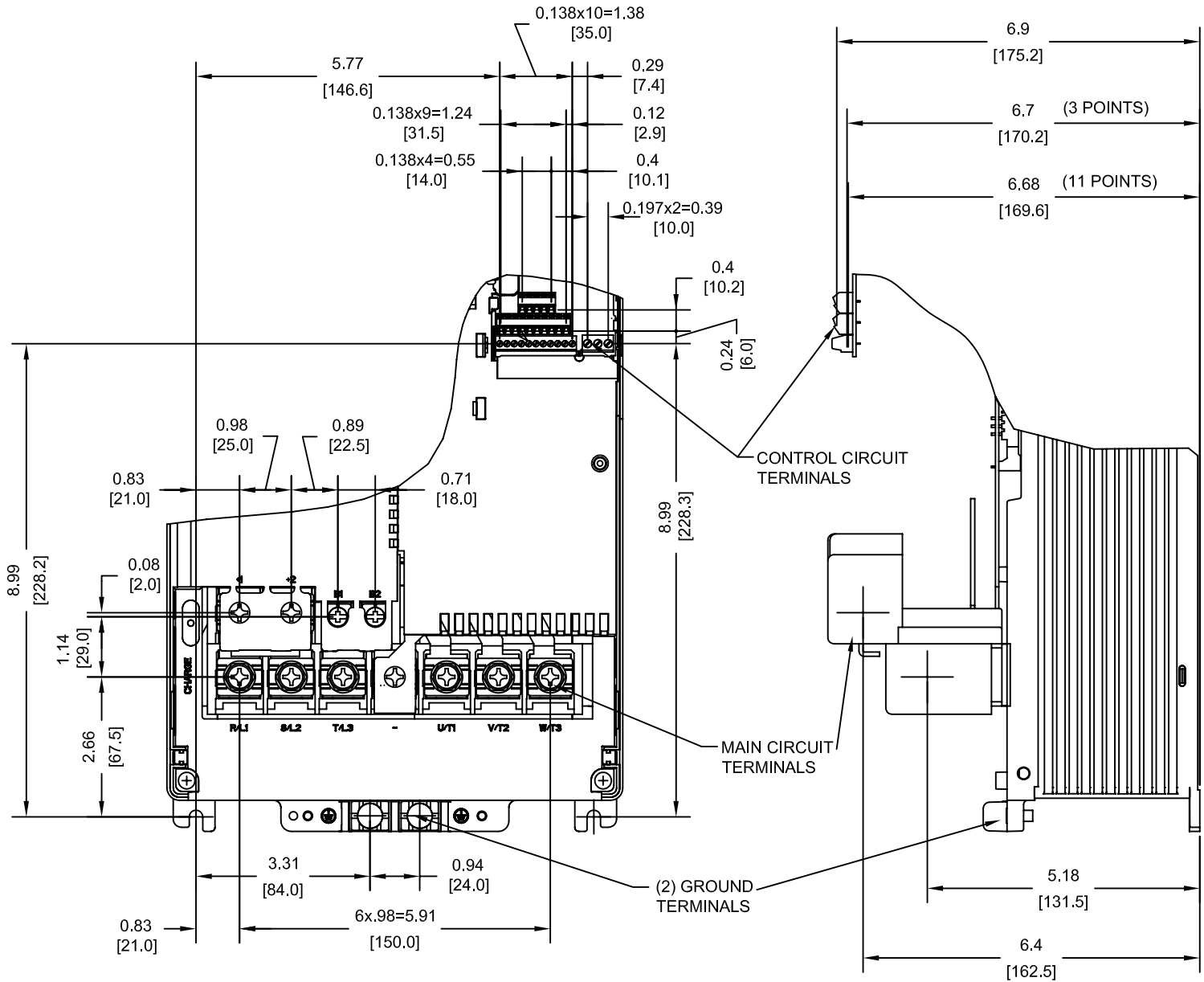
NOTE:
XX DENOTES AA-ZZ

INT=INTERNAL COMPONENTS
EXT=EXTERNAL HEATSINK
TOT=TOTAL

FOR ADDITIONAL DETAILS AND SPECIFICATIONS, CONSULT MANUAL

TOLERANCES / REFERENCES:		<p>YASKAWA The Drive for Quality™</p> <p>THIS DOCUMENT AND INFORMATION CONTAINED IN IT ARE CONFIDENTIAL, AND CANNOT BE COPIED OR DISCLOSED IN WHOLE OR IN PART WITHOUT THE EXPRESS WRITTEN CONSENT OF YASKAWA ELECTRIC AMERICA INC.</p>	DRAWN: J. MATTAS DATE 1-29-09	TITLE: V1000 DIMENSION DRAWING FRAME SIZE 17 OPEN ENCLOSURE (IP00 RATING) 2A0069A		
			CHECKED: J. PIOTROWSKI DATE 8-21-09	SIZE A	REVISION R00	PAGE 1 of 3
			TECH: J. CAIRO DATE 8-24-09	APPROVED: T. SASADA DATE 8-28-09	DRAWING #: DD.V1K.FR17.IP00	
UNITS: IN [mm]	SCALE: 1:5		ORIGINAL DESIGN: -	DATE -		

TERMINAL AND WIRING DETAILS (SCALE 1:3)



TERMINAL AND WIRE SPECIFICATIONS FOR
MAIN CIRCUIT AND GROUND

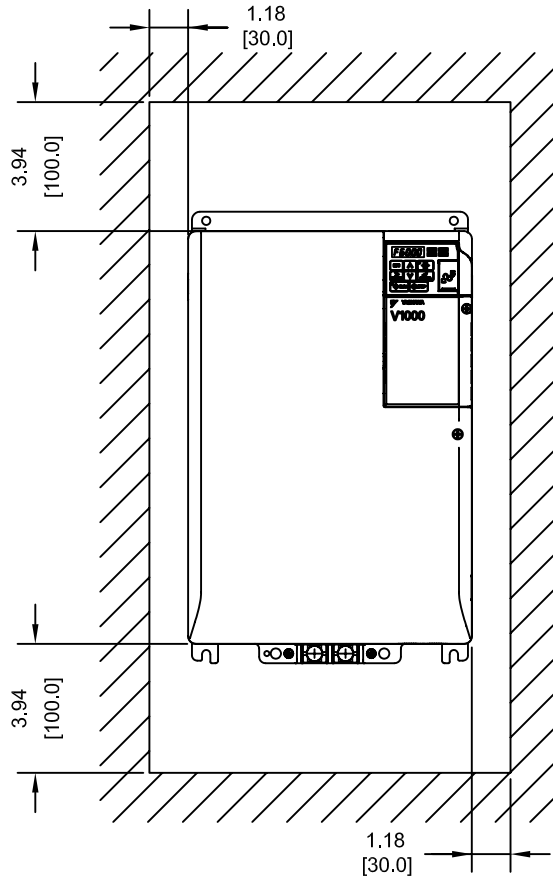
MODEL # CIMR-VU	TERMINAL SYMBOL	TERMINAL SCREW	CLAMPING TORQUE lb.in.(N.m.)	WIRE RANGE AWG(mm ²)
2A0069A	R/L1, S/L2, T/L3, ⊙, ⊕1, ⊕2, U/T1, V/T2, W/T3	M8	79.7 TO 97.4 (9 TO 11)	10-2 (5.5-38)
	B1, B2	M5	17.7 TO 22.1 (2 TO 2.5)	8-6 (8-14)
	⊕	M6	35.4 TO 53.1 (4 TO 6)	8-4 (8-22)

NOTE: RATINGS APPLY TO BOTH FACTORY AND FIELD WIRING
REFER TO APPLICABLE CODES FOR PROPER WIRE TYPE AND SIZE

FOR ADDITIONAL DETAILS AND SPECIFICATIONS, CONSULT MANUAL

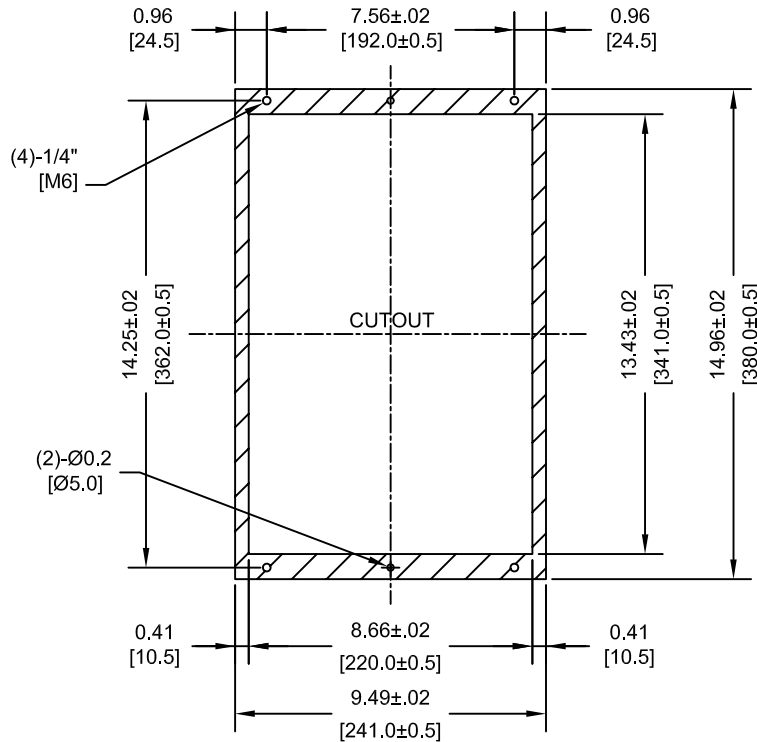
TOLERANCES / REFERENCES:		DRAWN:	J. MATTAS	DATE:	1-29-09	TITLE: V1000 DIMENSION DRAWING FRAME SIZE 17 OPEN ENCLOSURE (IP00 RATING) 2A0069A
		CHECKED:	J. PIOTROWSKI	DATE:	8-21-09	
		TECH:	J. CAIRO	DATE:	8-24-09	
		APPROVED:	T. SASADA	DATE:	8-28-09	
UNITS:	SCALE:	ORIGINAL DESIGN:	-	DATE:	-	SIZE: A REVISION: R00 PAGE: 2 of 3
IN[mm]	BY VIEW	THIS DOCUMENT AND INFORMATION CONTAINED IN IT ARE CONFIDENTIAL, AND CANNOT BE COPIED OR DISCLOSED IN WHOLE OR IN PART WITHOUT THE EXPRESS WRITTEN CONSENT OF YASKAWA ELECTRIC AMERICA INC.		DRAWING #: DD.V1K.FR17.IP00		

MINIMUM INSTALLATION CLEARANCES (SCALE 1:6)



NOTE:
FOR SIDE-BY-SIDE MOUNTING
CONSULT MANUAL

PANEL CUTOUT FOR EXTERNAL HEATSINK
MOUNTING CONFIGURATION (SCALE 1:6)



NOTES:
1. EXTERNAL HEATSINK
CONFIGURATION REQUIRES
MOUNTING KIT
2. EXPOSED HEATSINK
RECOMMENDED CLEARANCE
D=3.35" MINUS PANEL THICKNESS

TOLERANCES / REFERENCES:		<p>YASKAWA The Drive for Quality™</p> <p>THIS DOCUMENT AND INFORMATION CONTAINED IN IT ARE CONFIDENTIAL, AND CANNOT BE COPIED OR DISCLOSED IN WHOLE OR IN PART WITHOUT THE EXPRESS WRITTEN CONSENT OF YASKAWA ELECTRIC AMERICA INC.</p>	DRAWN: J. MATTAS DATE: 1-29-09	TITLE: V1000 DIMENSION DRAWING FRAME SIZE 17 OPEN ENCLOSURE (IP00 RATING) 2A0069A
UNITS: IN [mm]			CHECKED: J. PIOTROWSKI DATE: 8-21-09	SIZE: A REVISION: R00 PAGE: 3 of 3
SCALE: BY VIEW			TECH: J. CAIRO DATE: 8-24-09	DRAWING #: DD.V1K.FR17.IP00
			APPROVED: T. SASADA DATE: 8-28-09	
		ORIGINAL DESIGN:	DATE:	