

MODEL # CIMR-VU	VOLTAGE THREE PHASE (VAC)	OUTPUT CURRENT (A)		WEIGHT LBS (Kg)	HEAT LOSS (W)					
		ND	HD		ND (Fc=2kHz)			HD (Fc=8kHz)		
					INT	EXT	TOT	INT	EXT	TOT
2A0004BXX	208/240	3.5	3.0	2.0 (0.9)	13.6	15.8	29.4	11.5	16.2	27.7

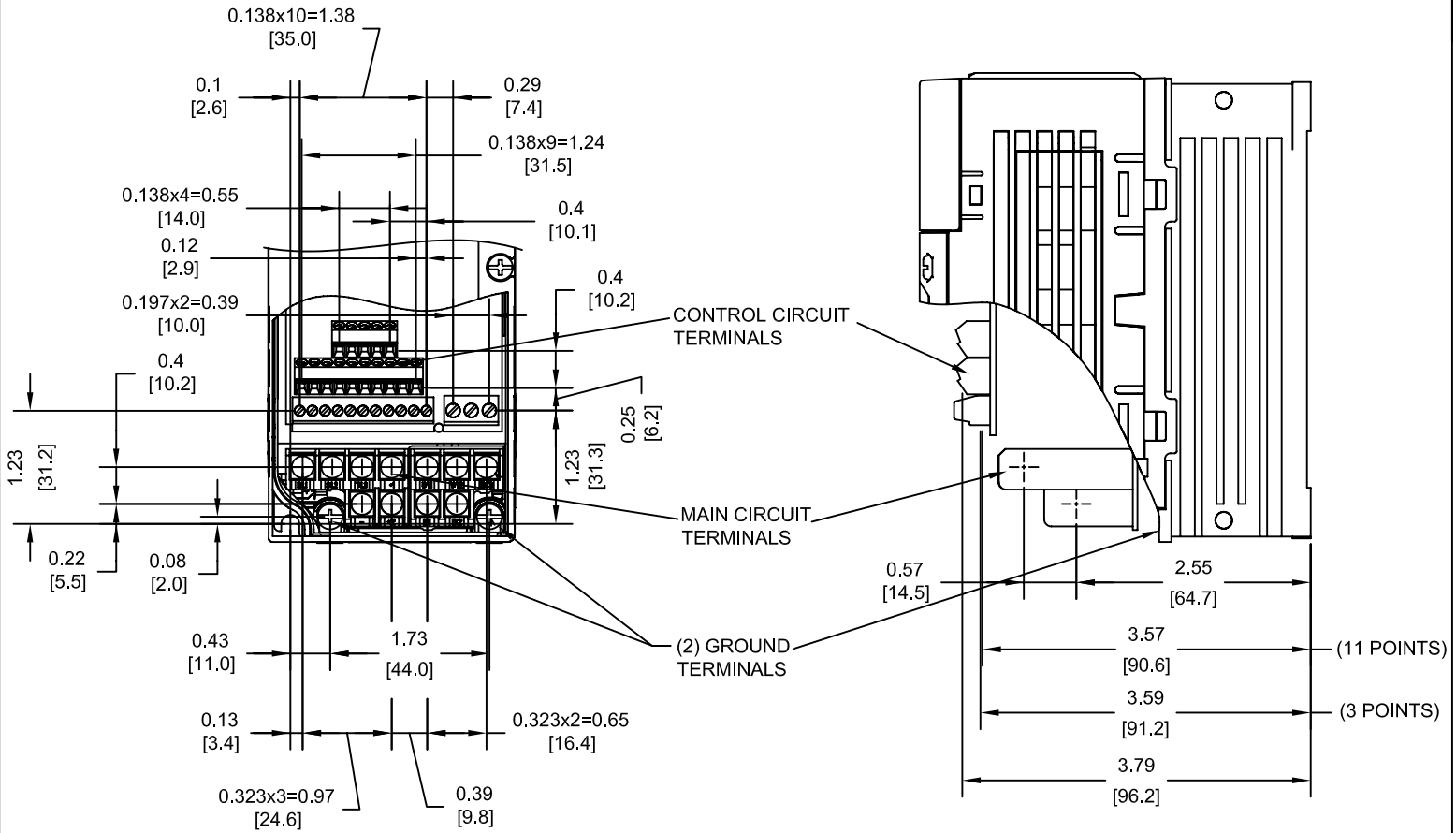
NOTE:  
XX DENOTES AA-ZZ

INT=INTERNAL COMPONENTS  
EXT=EXTERNAL HEATSINK  
TOT=TOTAL

FOR ADDITIONAL DETAILS AND SPECIFICATIONS, CONSULT MANUAL

TOLERANCES / REFERENCES:		<p><b>YASKAWA</b> The Drive for Quality™</p> <p><i>THIS DOCUMENT AND INFORMATION CONTAINED IN IT ARE CONFIDENTIAL, AND CANNOT BE COPIED OR DISCLOSED IN WHOLE OR IN PART WITHOUT THE EXPRESS WRITTEN CONSENT OF YASKAWA ELECTRIC AMERICA INC.</i></p>	DRAWN: J. MATTAS DATE 1-19-09	TITLE: V1000 DIMENSION DRAWING FRAME SIZE 2 OPEN ENCLOSURE (IP20 RATING) 2A0004B	
UNITS: IN [mm]	SCALE: 1:3		CHECKED: J. PIOTROWSKI DATE 8-21-09	DATE 8-24-09	
			TECH: J. CAIRO DATE 8-28-09	DATE 8-28-09	
			APPROVED: T. SASADA DATE 8-28-09	ORIGINAL DESIGN: - DATE -	
			SIZE A	REVISION R00	PAGE 1 of 3
			DRAWING #: <b>DD.V1K.FR2.IP20</b>		

TERMINAL AND WIRING DETAILS (SCALE 1:2)



TERMINAL AND WIRE SPECIFICATIONS FOR  
MAIN CIRCUIT AND GROUND

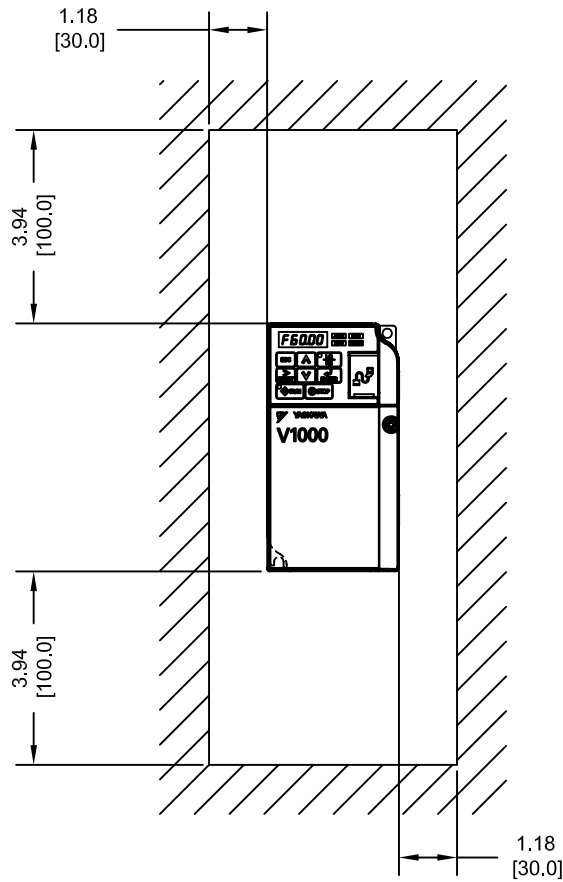
MODEL #	TERMINAL SCREW	CLAMPING TORQUE lb.in.(N.m.)	WIRE RANGE AWG(mm <sup>2</sup> )
2A0004B	M3.5	7.1 TO 8.9 (0.8 TO 1.0)	22-14 (0.33-2.0)

NOTE: RATINGS APPLY TO BOTH FACTORY AND FIELD WIRING  
REFER TO APPLICABLE CODES FOR PROPER WIRE TYPE AND SIZE

FOR ADDITIONAL DETAILS AND SPECIFICATIONS, CONSULT MANUAL

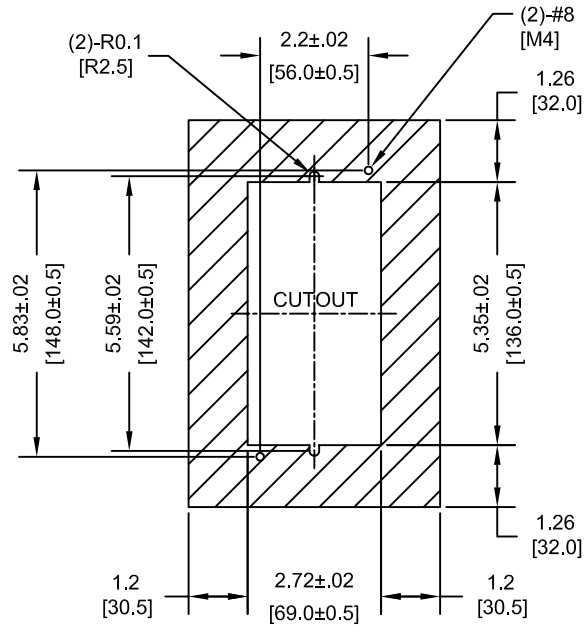
TOLERANCES / REFERENCES:		<p>THIS DOCUMENT AND INFORMATION CONTAINED IN IT ARE CONFIDENTIAL, AND CANNOT BE COPIED OR DISCLOSED IN WHOLE OR IN PART WITHOUT THE EXPRESS WRITTEN CONSENT OF YASKAWA ELECTRIC AMERICA INC.</p>	DRAWN: J. MATTAS DATE 1-19-09	TITLE: V1000 DIMENSION DRAWING FRAME SIZE 2 OPEN ENCLOSURE (IP20 RATING) 2A0004B		
			CHECKED: J. PIOTROWSKI DATE 8-21-09	TECH: J. CAIRO DATE 8-24-09	SIZE A	REVISION R00
			APPROVED: T. SASADA DATE 8-28-09	ORIGINAL DESIGN: -	DATE -	PAGE 2 of 3
UNITS: IN [mm]	SCALE: BY VIEW		DRAWING #: DD.V1K.FR2.IP20			

MINIMUM INSTALLATION CLEARANCES (SCALE 1:4)



NOTE:  
FOR SIDE-BY-SIDE MOUNTING  
CONSULT MANUAL

PANEL CUTOUT FOR EXTERNAL HEATSINK  
MOUNTING CONFIGURATION (SCALE 1:4)



NOTES:  
1. EXTERNAL HEATSINK  
CONFIGURATION REQUIRES  
MOUNTING KIT  
2. EXPOSED HEATSINK  
RECOMMENDED CLEARANCE  
D=1.97" MINUS PANEL THICKNESS

TOLERANCES / REFERENCES:		<p><b>YASKAWA</b> The Drive for Quality™</p> <p>THIS DOCUMENT AND INFORMATION CONTAINED IN IT ARE CONFIDENTIAL, AND CANNOT BE COPIED OR DISCLOSED IN WHOLE OR IN PART WITHOUT THE EXPRESS WRITTEN CONSENT OF YASKAWA ELECTRIC AMERICA INC.</p>	DRAWN: J. MATTAS DATE: 1-19-09	DATE: 1-19-09	TITLE: V1000 DIMENSION DRAWING FRAME SIZE 2 OPEN ENCLOSURE (IP20 RATING) 2A0004B	
			CHECKED: J. PIOTROWSKI DATE: 8-21-09	DATE: 8-21-09		
			TECH: J. CAIRO DATE: 8-24-09	DATE: 8-24-09		
			APPROVED: T. SASADA DATE: 8-28-09	DATE: 8-28-09		
UNITS: IN [mm]	SCALE: BY VIEW	ORIGINAL DESIGN:	DATE:	SIZE: A	REVISION: R00	PAGE: 3 of 3
			DRAWING #:		<b>DD.V1K.FR2.IP20</b>	