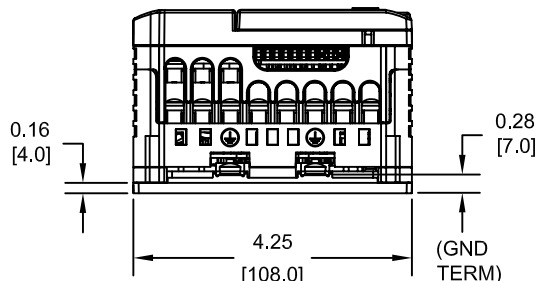
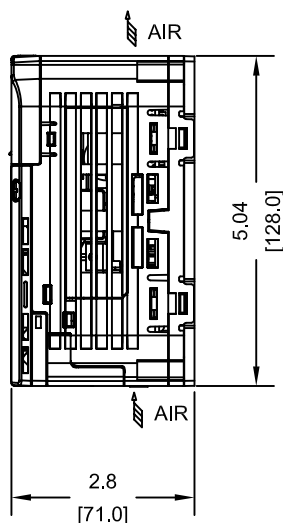
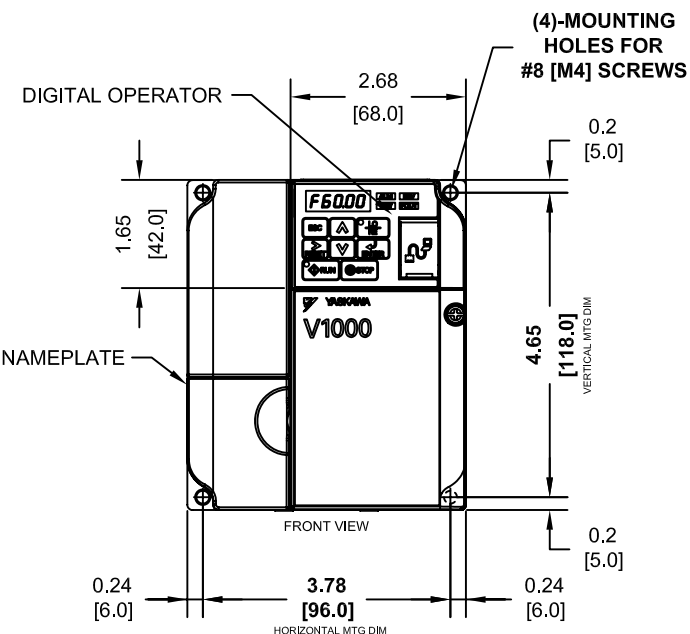
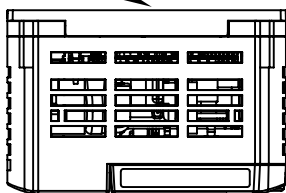


FINLESS HEATSINK



MODEL # CIMR-VU	VOLTAGE THREE PHASE (VAC)	OUTPUT CURRENT (A)		WEIGHT LBS (Kg)	HEAT LOSS (W)					
		ND	HD		ND (Fc=2kHz)			HD (Fc=8kHz)		
		INT	EXT	TOT	INT	EXT	TOT	INT	EXT	TOT
2A0010JXX	208/240	9.6	8.0	2.2 (1.0)	25.8	51.7	77.5	23.8	54.8	78.6
4A0001JXX	380/480	1.2	1.2	2.0 (0.9)	9.6	10.0	19.6	11.5	19.2	30.7
4A0002JXX		2.1	1.8	2.0 (0.9)	13.9	18.5	32.4	14.8	28.9	43.7

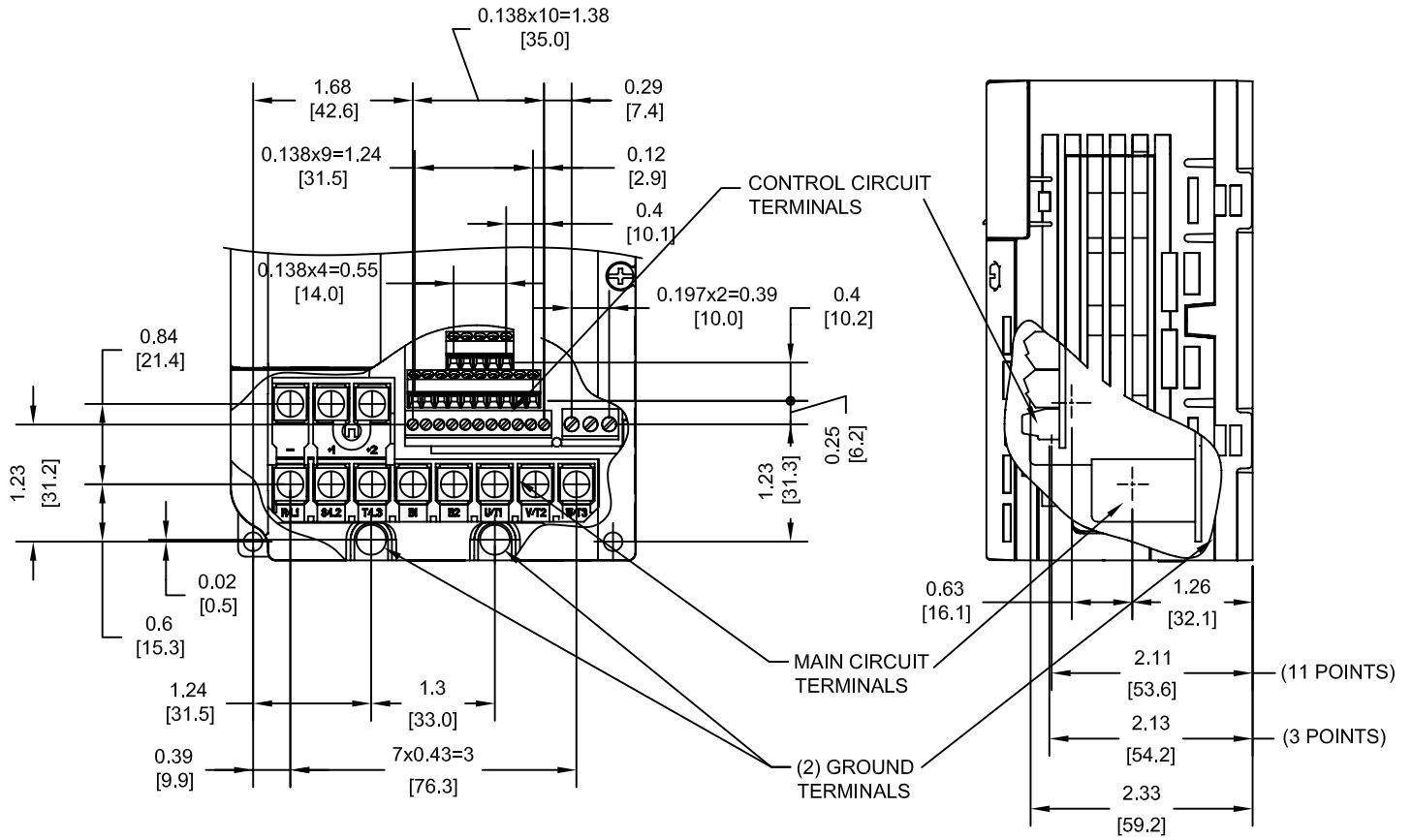
NOTE:
XX DENOTES AA-ZZ

INT=INTERNAL COMPONENTS
EXT=EXTERNAL HEATSINK
TOT=TOTAL

FOR ADDITIONAL DETAILS AND SPECIFICATIONS, CONSULT MANUAL

TOLERANCES / REFERENCES:		<p>YASKAWA The Drive for Quality™</p> <p><i>THIS DOCUMENT AND INFORMATION CONTAINED IN IT ARE CONFIDENTIAL, AND CANNOT BE COPIED OR DISCLOSED IN WHOLE OR IN PART WITHOUT THE EXPRESS WRITTEN CONSENT OF YASKAWA ELECTRIC AMERICA INC.</i></p>	DRAWN: J. MATTAS DATE 1-5-09	DATE 1-5-09	TITLE: V1000 DIMENSION DRAWING FRAME SIZE 3 FINLESS HEATSINK 2A0010J, 4A0001J, 4A0002J
UNITS: IN[mm]			CHECKED: J. PIOTROWSKI DATE 5-20-09	DATE 5-20-09	
SCALE: 1:3			TECH: J. CAIRO DATE 7-7-09	DATE 7-7-09	
			APPROVED: T. SASADA DATE 7-8-09	DATE 7-8-09	
		ORIGINAL DESIGN: -	DATE -	DRAWING #: DD.V1K.FR3.FNL.01	
		SIZE: A REVISION: R00 PAGE: 1 of 3			

TERMINAL AND WIRING DETAILS (SCALE 1:2)



TERMINAL AND WIRE SPECIFICATIONS FOR
MAIN CIRCUIT AND GROUND

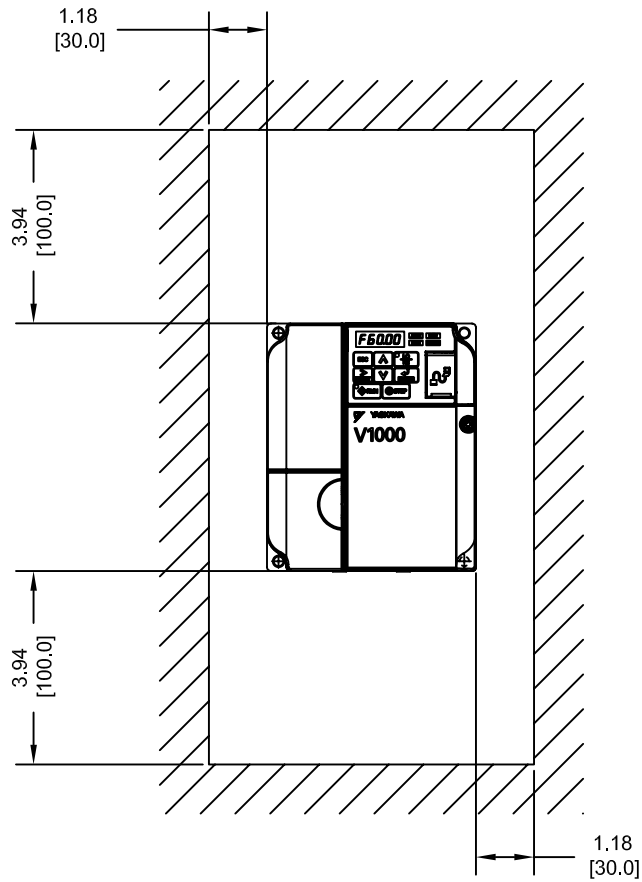
MODEL # CIMR-VU	TERMINAL SCREW	CLAMPING TORQUE lb.in.(N.m.)	WIRE RANGE AWG(mm ²)
2A0010J	M4	10.6 TO 13.3 (1.2 TO 1.5)	22-10 (0.33-5.5)
4A0001J	M4	10.6 TO 13.3 (1.2 TO 1.5)	22-10 (0.33-5.5)
4A0002J	M4	10.6 TO 13.3 (1.2 TO 1.5)	22-10 (0.33-5.5)

NOTE: RATINGS APPLY TO BOTH FACTORY AND FIELD WIRING
REFER TO APPLICABLE CODES FOR PROPER WIRE TYPE AND SIZE

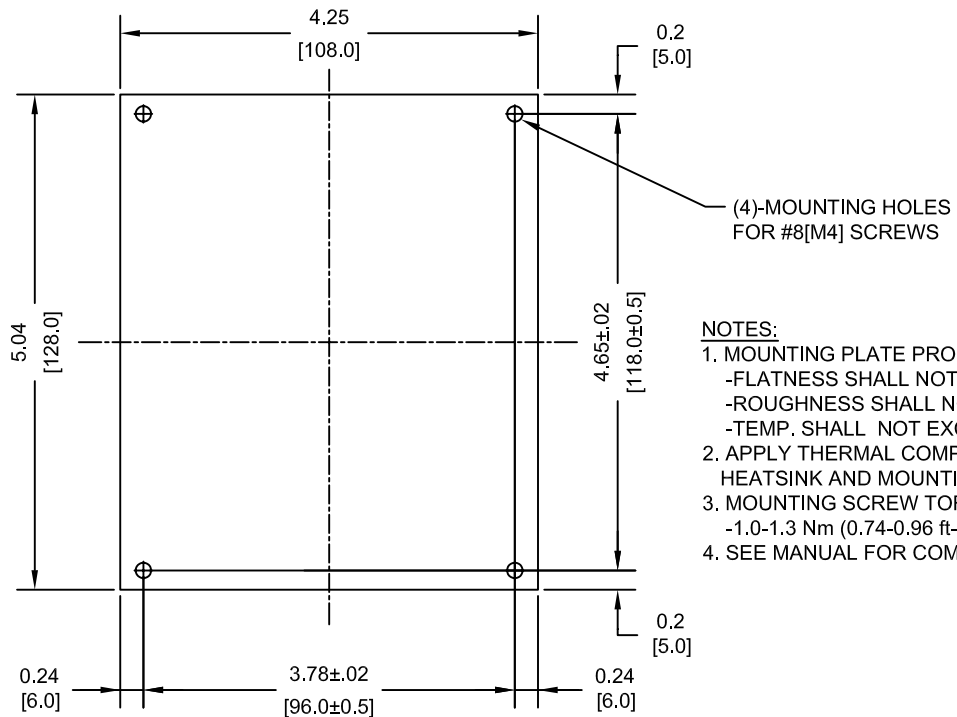
FOR ADDITIONAL DETAILS AND SPECIFICATIONS, CONSULT MANUAL

TOLERANCES / REFERENCES:	<p>YASKAWA The Drive for Quality™</p> <p>THIS DOCUMENT AND INFORMATION CONTAINED IN IT ARE CONFIDENTIAL, AND CANNOT BE COPIED OR DISCLOSED IN WHOLE OR IN PART WITHOUT THE EXPRESS WRITTEN CONSENT OF YASKAWA ELECTRIC AMERICA INC.</p>	DRAWN: J. MATTAS DATE 1-5-09	DATE 1-5-09	TITLE: V1000 DIMENSION DRAWING FRAME SIZE 3 FINLESS HEATSINK 2A0010J, 4A0001J, 4A0002J
		CHECKED: J. PIOTROWSKI DATE 5-20-09	DATE 5-20-09	
UNITS: IN[mm]	SCALE: BY VIEW	TECH: J. CAIRO DATE 7-7-09	DATE 7-7-09	SIZE A
		APPROVED: T. SASADA DATE 7-8-09	DATE 7-8-09	REVISION R00
		ORIGINAL DESIGN: -	DATE -	PAGE 2 of 3
				DRAWING #: DD.V1K.FR3.FNL.01

MINIMUM INSTALLATION CLEARANCES (SCALE 1:4)



MOUNTING DIMENSIONS (SCALE 1:2)



NOTES:

1. MOUNTING PLATE PROPERTIES
 - FLATNESS SHALL NOT EXCEED 0.2mm
 - ROUGHNESS SHALL NOT EXCEED 25S
 - TEMP. SHALL NOT EXCEED 90C (194F)
2. APPLY THERMAL COMPOUND BETWEEN HEATSINK AND MOUNTING PLATE.
3. MOUNTING SCREW TORQUE
 - 1.0-1.3 Nm (0.74-0.96 ft-lbf)
4. SEE MANUAL FOR COMPLETE DETAILS

TOLERANCES / REFERENCES:		<p>YASKAWA The Drive for Quality™</p> <p><i>THIS DOCUMENT AND INFORMATION CONTAINED IN IT ARE CONFIDENTIAL, AND CANNOT BE COPIED OR DISCLOSED IN WHOLE OR IN PART WITHOUT THE EXPRESS WRITTEN CONSENT OF YASKAWA ELECTRIC AMERICA INC.</i></p>	DRAWN: J. MATTAS	DATE: 1-5-09	TITLE: V1000 DIMENSION DRAWING FRAME SIZE 3 FINLESS HEATSINK 2A0010J, 4A0001J, 4A0002J	
			CHECKED: J. PIOTROWSKI	DATE: 5-20-09		
			TECH: J. CAIRO	DATE: 7-7-09		
			APPROVED: T. SASADA	DATE: 7-8-09		
UNITS: IN[mm]	SCALE: BY VIEW	ORIGINAL DESIGN: -	DATE: -	SIZE: A	REVISION: R00	PAGE: 3 of 3
				DRAWING #: DD.V1K.FR3.FNL.01		