

MODEL # CIMR-VU	VOLTAGE (VAC)	OUTPUT CURRENT (A)		WEIGHT LBS (Kg)	HEAT LOSS (W)					
					ND (Fc=2kHz)			HD (Fc=8kHz)		
		ND	HD		INT	EXT	TOT	INT	EXT	TOT
BA0006JXX	208/240 SINGLE PHASE	6.0	5.0	2.4 (1.1)	19.4	30.1	49.5	16.8	33.7	50.5
2A0012JXX	208/240 THREE PHASE	12.0	11.0	2.2 (1.0)	30.4	61.3	91.7	29.9	70.7	100.6
4A0004JXX	380/480 THREE PHASE	4.1	3.4	2.2 (1.0)	16.8	30.5	47.3	17.9	42.3	60.2

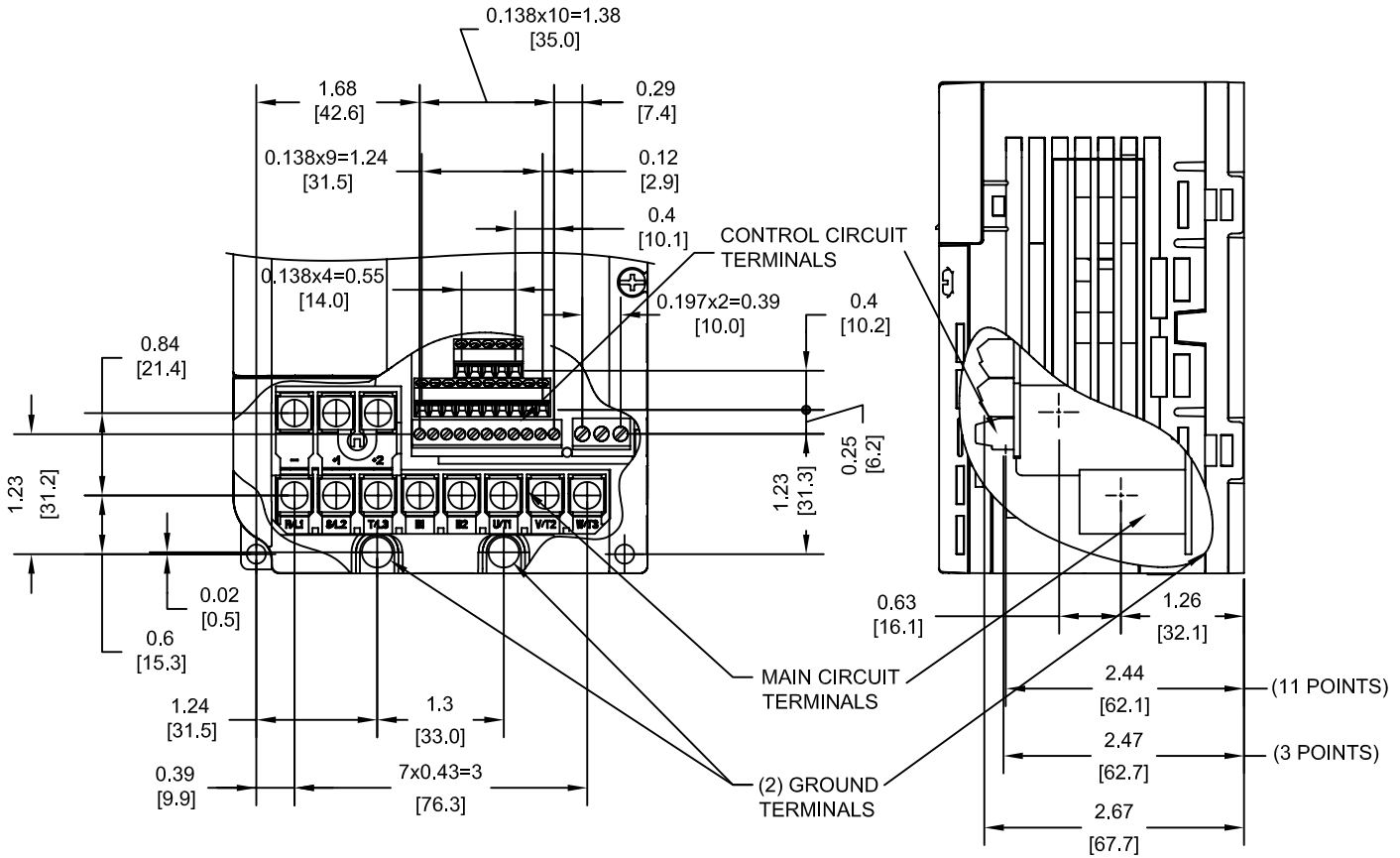
NOTE:
XX DENOTES AA-ZZ

INT=INTERNAL COMPONENTS
EXT=EXTERNAL HEATSINK
TOT=TOTAL

FOR ADDITIONAL DETAILS AND SPECIFICATIONS, CONSULT MANUAL

TOLERANCES / REFERENCES:		<p>YASKAWA The Drive for Quality™</p> <p>THIS DOCUMENT AND INFORMATION CONTAINED IN IT ARE CONFIDENTIAL, AND CANNOT BE COPIED OR DISCLOSED IN WHOLE OR IN PART WITHOUT THE EXPRESS WRITTEN CONSENT OF YASKAWA ELECTRIC AMERICA INC.</p>	DRAWN: J. MATTAS DATE 1-6-09	DATE 1-6-09	TITLE: V1000 DIMENSION DRAWING FRAME SIZE 4 FINLESS HEATSINK BA0006J, 2A0012J & 4A0004J	
UNITS: IN[mm]	SCALE: 1:3		CHECKED: J. PIOTROWSKI DATE 5-20-09	DATE 5-20-09		
		TECH: J. CAIRO DATE 7-7-09	DATE 7-7-09	SIZE A	REVISION R00	PAGE 1 of 3
		APPROVED: T. SASADA DATE 7-8-09	DATE 7-8-09	DRAWING #: DD.V1K.FR4.FNL.01		

TERMINAL AND WIRING DETAILS (SCALE 1:2)



TERMINAL AND WIRE SPECIFICATIONS FOR
MAIN CIRCUIT AND GROUND

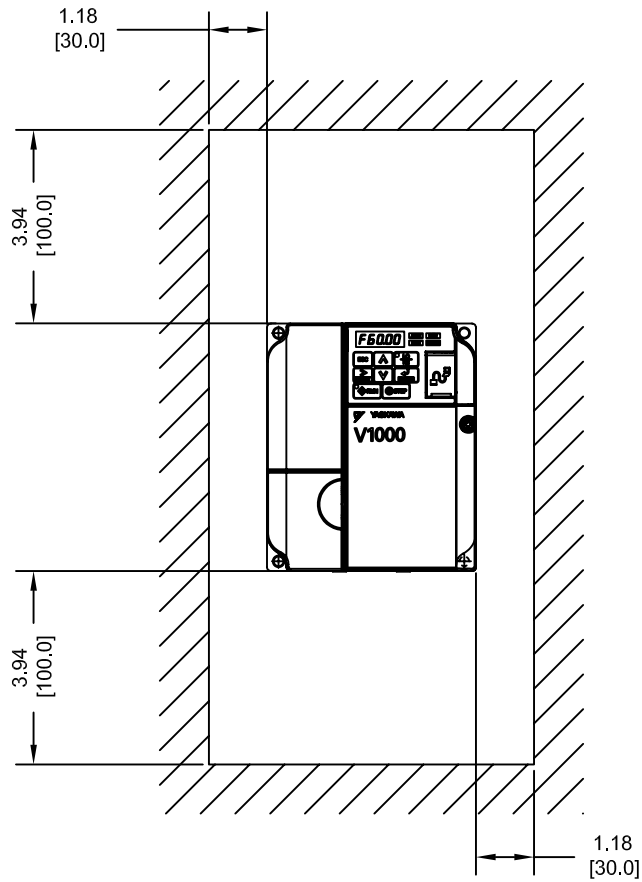
MODEL # CIMR-VU	TERMINAL SCREW	CLAMPING TORQUE lb.in.(N.m.)	WIRE RANGE AWG(mm ²)
BA0006J	M4	10.6 TO 13.3 (1.2 TO 1.5)	22-10 (0.33-5.5)
2A0012J	M4	10.6 TO 13.3 (1.2 TO 1.5)	22-10 (0.33-5.5)
4A0004J	M4	10.6 TO 13.3 (1.2 TO 1.5)	22-10 (0.33-5.5)

NOTE: RATINGS APPLY TO BOTH FACTORY AND FIELD WIRING
REFER TO APPLICABLE CODES FOR PROPER WIRE TYPE AND SIZE

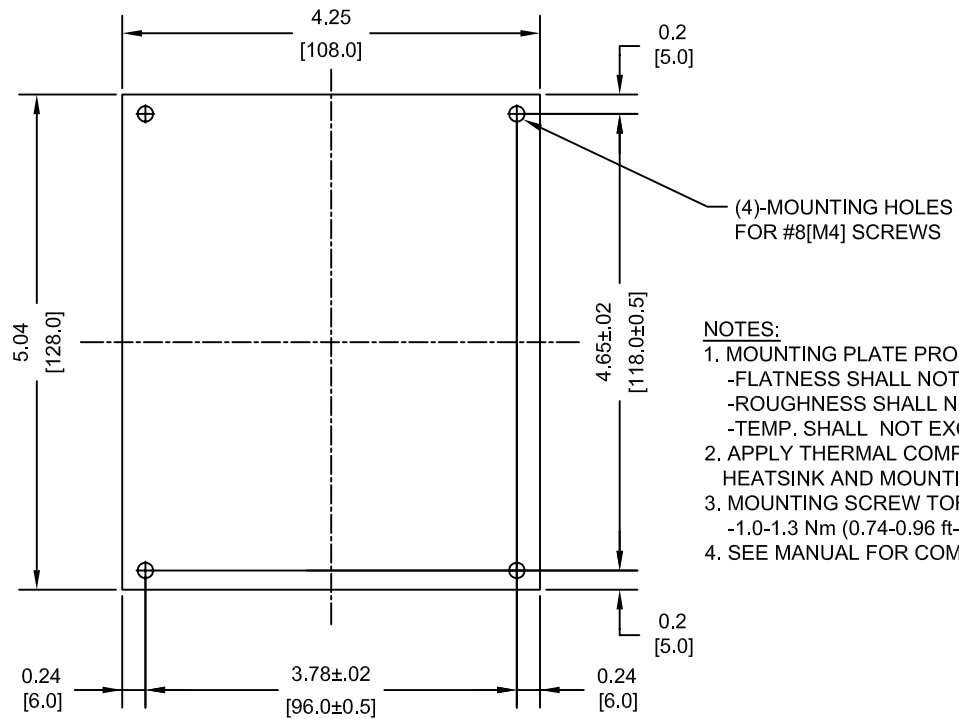
FOR ADDITIONAL DETAILS AND SPECIFICATIONS, CONSULT MANUAL

TOLERANCES / REFERENCES:		<p>THIS DOCUMENT AND INFORMATION CONTAINED IN IT ARE CONFIDENTIAL, AND CANNOT BE COPIED OR DISCLOSED IN WHOLE OR IN PART WITHOUT THE EXPRESS WRITTEN CONSENT OF YASKAWA ELECTRIC AMERICA INC.</p>	DRAWN: J. MATTAS DATE 1-6-09	DATE 1-6-09	TITLE: V1000 DIMENSION DRAWING FRAME SIZE 4 FINLESS HEATSINK BA0006J, 2A0012J & 4A0004J
UNITS: IN[mm]			CHECKED: J. PIOTROWSKI DATE 5-20-09	DATE 5-20-09	
SCALE: BY VIEW			TECH: J. CAIRO DATE 7-7-09	DATE 7-7-09	
			APPROVED: T. SASADA DATE 7-8-09	DATE 7-8-09	
		ORIGINAL DESIGN:	DATE	SIZE A	REVISION R00
				PAGE 2 of 3	DRAWING #: DD.V1K.FR4.FNL.01

MINIMUM INSTALLATION CLEARANCES (SCALE 1:4)



MOUNTING DIMENSIONS (SCALE 1:2)



NOTES:

1. MOUNTING PLATE PROPERTIES
 - FLATNESS SHALL NOT EXCEED 0.2mm
 - ROUGHNESS SHALL NOT EXCEED 25S
 - TEMP. SHALL NOT EXCEED 90C (194F)
2. APPLY THERMAL COMPOUND BETWEEN HEATSINK AND MOUNTING PLATE.
3. MOUNTING SCREW TORQUE
 - 1.0-1.3 Nm (0.74-0.96 ft-lbf)
4. SEE MANUAL FOR COMPLETE DETAILS

TOLERANCES / REFERENCES:		<p>THIS DOCUMENT AND INFORMATION CONTAINED IN IT ARE CONFIDENTIAL, AND CANNOT BE COPIED OR DISCLOSED IN WHOLE OR IN PART WITHOUT THE EXPRESS WRITTEN CONSENT OF YASKAWA ELECTRIC AMERICA INC.</p>	DRAWN: J. MATTAS	DATE: 1-6-09	TITLE: V1000 DIMENSION DRAWING FRAME SIZE 4 FINLESS HEATSINK BA0006J, 2A0012J & 4A0004J
			CHECKED: J. PIOTROWSKI	DATE: 5-20-09	
			TECH: J. CAIRO	DATE: 7-7-09	
			APPROVED: T. SASADA	DATE: 7-8-09	
UNITS: IN[mm]	SCALE: BY VIEW	ORIGINAL DESIGN:	-	DATE:	-
					DRAWING #: DD.V1K.FR4.FNL.01
			SIZE: A	REVISION: R00	PAGE: 3 of 3