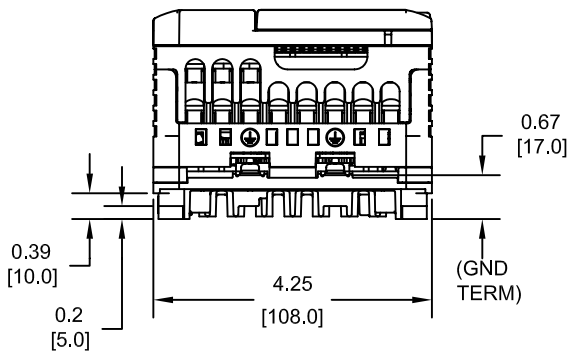
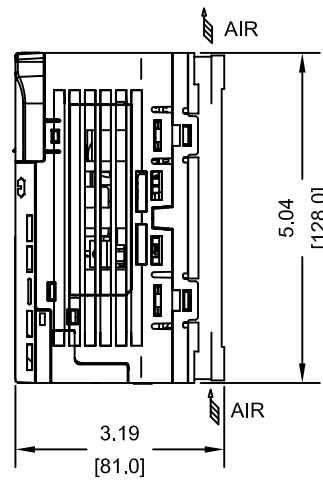
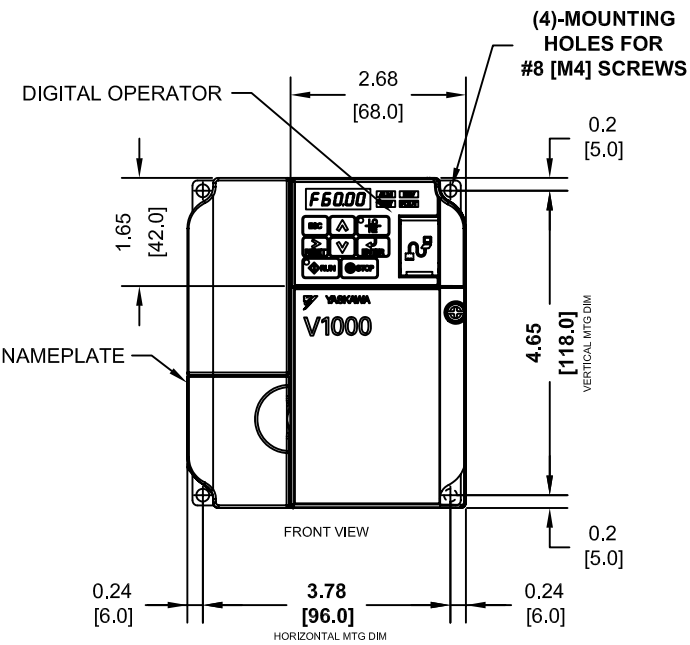
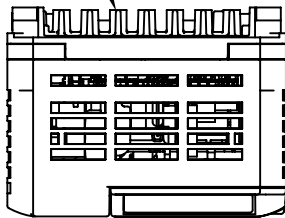


NATURAL
CONVECTION
COOLING



MODEL # CIMR-VU	VOLTAGE THREE PHASE (VAC)	OUTPUT CURRENT (A)		WEIGHT LBS (Kg)	HEAT LOSS (W)					
		ND	HD		ND (Fc=2kHz)			HD (Fc=8kHz)		
		INT	EXT	TOT	INT	EXT	TOT	INT	EXT	TOT
4A0001BXX	380/480	1.2	1.2	2.2 (1.0)	9.6	10.0	19.6	11.5	19.2	30.7

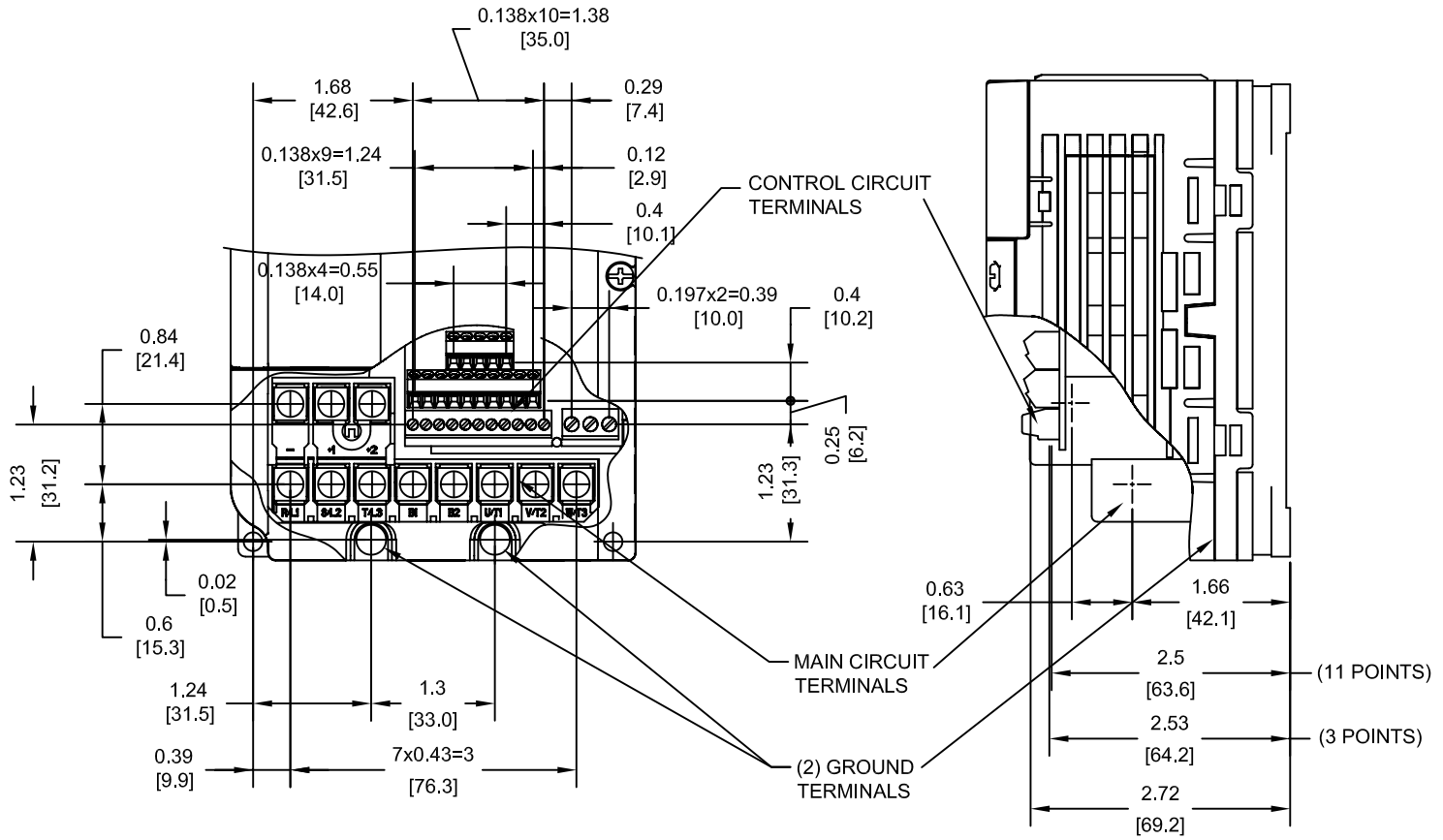
NOTE:
XX DENOTES AA-ZZ

INT=INTERNAL COMPONENTS
EXT=EXTERNAL HEATSINK
TOT=TOTAL

FOR ADDITIONAL DETAILS AND SPECIFICATIONS, CONSULT MANUAL

TOLERANCES / REFERENCES:		<p>YASKAWA The Drive for Quality™</p> <p><i>THIS DOCUMENT AND INFORMATION CONTAINED IN IT ARE CONFIDENTIAL, AND CANNOT BE COPIED OR DISCLOSED IN WHOLE OR IN PART WITHOUT THE EXPRESS WRITTEN CONSENT OF YASKAWA ELECTRIC AMERICA INC.</i></p>	DRAWN: J. MATTAS DATE 1-21-09	TITLE: V1000 DIMENSION DRAWING FRAME SIZE 5 OPEN ENCLOSURE (IP20 RATING) 4A0001B		
UNITS: IN [mm]	SCALE: 1:3		CHECKED: J. PIOTROWSKI DATE 8-21-09	SIZE A	REVISION R00	PAGE 1 of 3
			APPROVED: T. SASADA DATE 8-28-09	DRAWING #: DD.V1K.FR5.IP20		
			ORIGINAL DESIGN: -	DATE -		

TERMINAL AND WIRING DETAILS (SCALE 1:2)



TERMINAL AND WIRE SPECIFICATIONS FOR
MAIN CIRCUIT AND GROUND

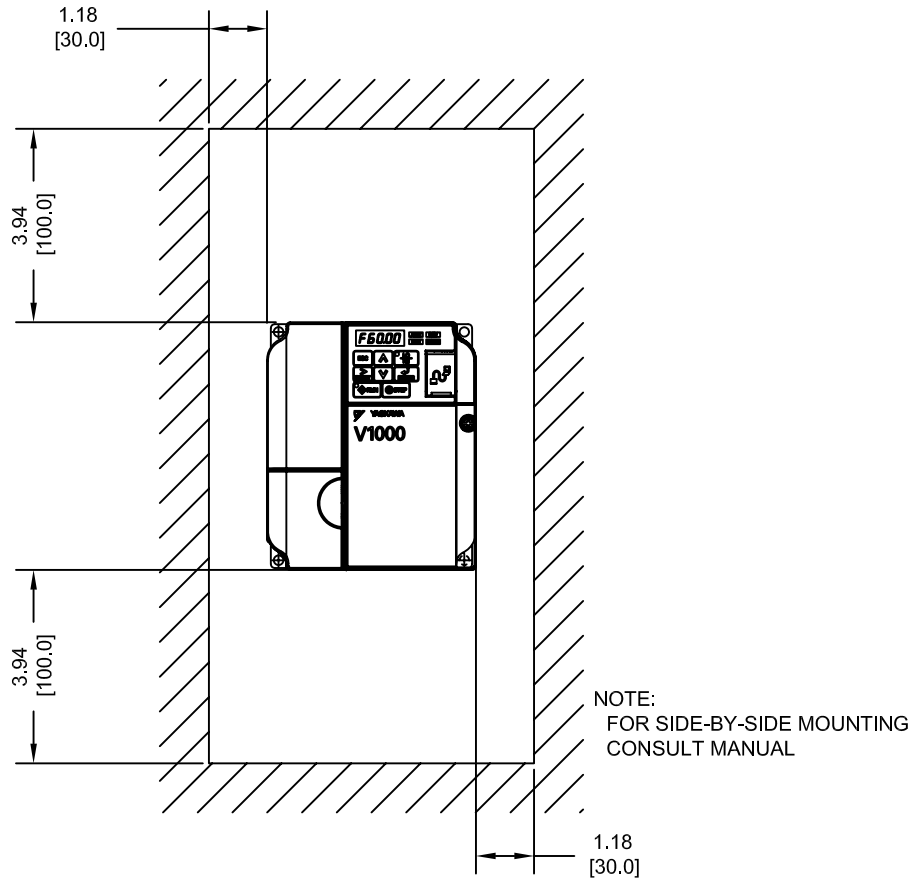
MODEL #	TERMINAL SCREW	CLAMPING TORQUE lb.in.(N.m.)	WIRE RANGE AWG(mm ²)
4A0001B	M4	10.6 TO 13.3 (1.2 TO 1.5)	22-10 (0.33-5.5)

NOTE: RATINGS APPLY TO BOTH FACTORY AND FIELD WIRING
REFER TO APPLICABLE CODES FOR PROPER WIRE TYPE AND SIZE

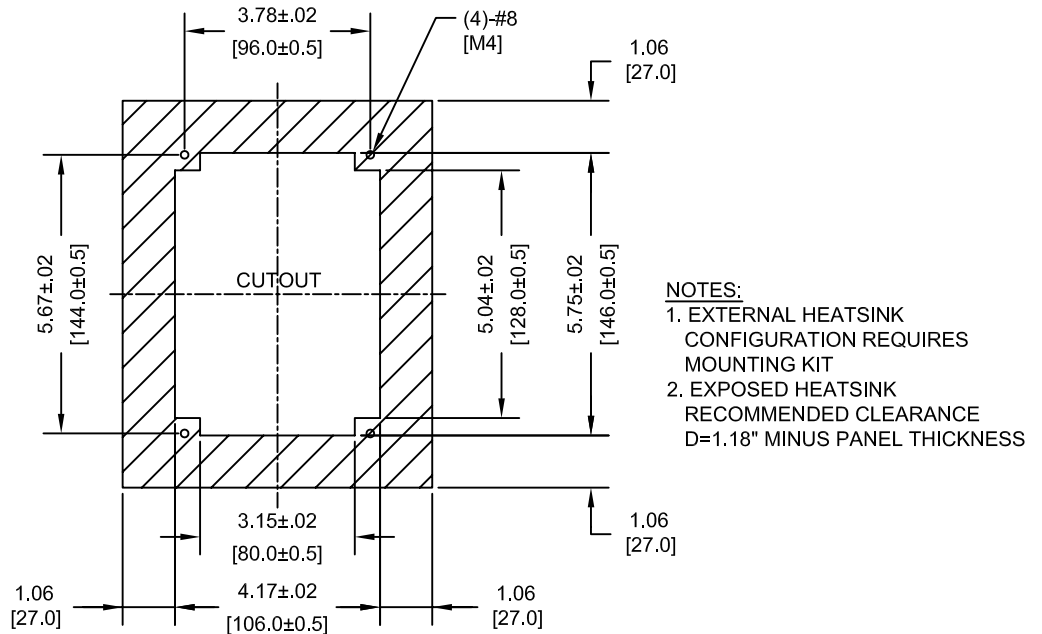
FOR ADDITIONAL DETAILS AND SPECIFICATIONS, CONSULT MANUAL

TOLERANCES / REFERENCES:		<p>THIS DOCUMENT AND INFORMATION CONTAINED IN IT ARE CONFIDENTIAL, AND CANNOT BE COPIED OR DISCLOSED IN WHOLE OR IN PART WITHOUT THE EXPRESS WRITTEN CONSENT OF YASKAWA ELECTRIC AMERICA INC.</p>	DRAWN: J. MATTAS DATE 1-21-09	TITLE: V1000 DIMENSION DRAWING FRAME SIZE 5 OPEN ENCLOSURE (IP20 RATING) 4A0001B	
UNITS: IN [mm]			CHECKED: J. PIOTROWSKI DATE 8-21-09	TECH: J. CAIRO DATE 8-24-09	SIZE A
SCALE: BY VIEW			APPROVED: T. SASADA DATE 8-28-09	ORIGINAL DESIGN: - DATE -	REVISION R00
			DRAWING #: DD.V1K.FR5.IP20		PAGE 2 of 3

MINIMUM INSTALLATION CLEARANCES (SCALE 1:4)



PANEL CUTOUT FOR EXTERNAL HEATSINK MOUNTING CONFIGURATION (SCALE 1:4)



TOLERANCES / REFERENCES:		<p>THIS DOCUMENT AND INFORMATION CONTAINED IN IT ARE CONFIDENTIAL, AND CANNOT BE COPIED OR DISCLOSED IN WHOLE OR IN PART WITHOUT THE EXPRESS WRITTEN CONSENT OF YASKAWA ELECTRIC AMERICA INC.</p>	DRAWN: J. MATTAS DATE: 1-21-09	DATE: 1-21-09	TITLE: V1000 DIMENSION DRAWING FRAME SIZE 5 OPEN ENCLOSURE (IP20 RATING) 4A0001B
			CHECKED: J. PIOTROWSKI DATE: 8-21-09	DATE: 8-21-09	
			TECH: J. CAIRO DATE: 8-24-09	DATE: 8-24-09	
			APPROVED: T. SASADA DATE: 8-28-09	DATE: 8-28-09	
UNITS: IN [mm]	SCALE: BY VIEW	ORIGINAL DESIGN:			SIZE: A REVISION: R00 PAGE: 3 of 3
			DRAWING #:		DD.V1K.FR5.IP20