

MODEL # CIMR-VU	VOLTAGE THREE PHASE (VAC)	OUTPUT CURRENT (A)		WEIGHT LBS (Kg)	HEAT LOSS (W)					
					ND (Fc=2kHz)			HD (Fc=8kHz)		
		ND	HD		INT	EXT	TOT	INT	EXT	TOT
2A0020JXX	208/240	19.6	17.5	2.9 (1.3)	46.3	98.7	145.0	43.3	110.5	153.8
4A0011JXX	380/480	11.1	9.2	2.9 (1.3)	46.0	81.7	127.7	41.5	107.2	148.7

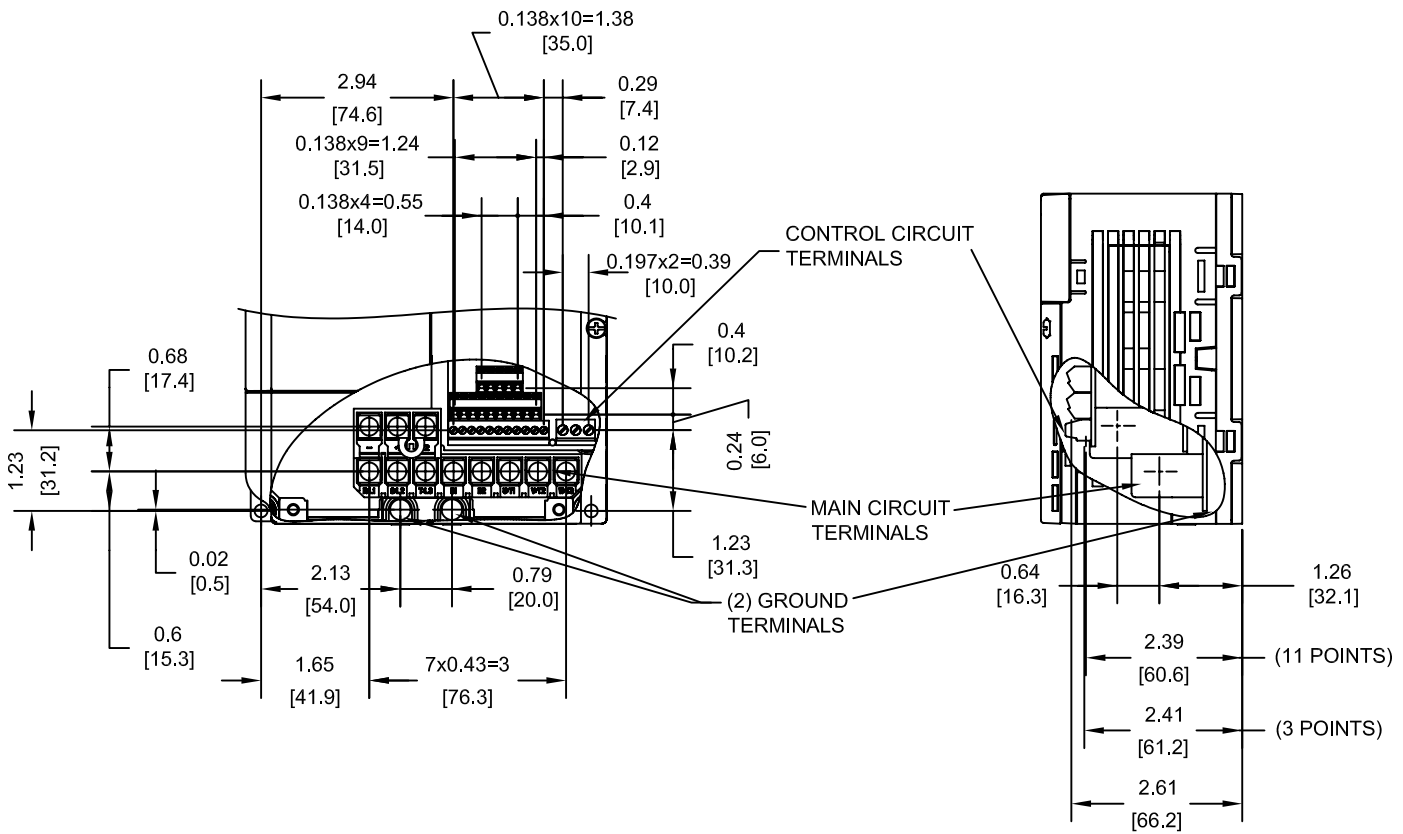
NOTE:
XX DENOTES AA-ZZ

INT=INTERNAL COMPONENTS
EXT=EXTERNAL HEATSINK
TOT=TOTAL

FOR ADDITIONAL DETAILS AND SPECIFICATIONS, CONSULT MANUAL

TOLERANCES / REFERENCES:		<p>YASKAWA The Drive for Quality™</p> <p><i>THIS DOCUMENT AND INFORMATION CONTAINED IN IT ARE CONFIDENTIAL, AND CANNOT BE COPIED OR DISCLOSED IN WHOLE OR IN PART WITHOUT THE EXPRESS WRITTEN CONSENT OF YASKAWA ELECTRIC AMERICA INC.</i></p>	DRAWN: J. MATTAS DATE 1-7-09	DATE 1-7-09	TITLE: V1000 DIMENSION DRAWING FRAME SIZE 7 FINLESS HEATSINK 2A0020J & 4A0011J		
UNITS: IN[mm]	SCALE: 1:4		CHECKED: J. PIOTROWSKI DATE 5-20-09	DATE 5-20-09			
			TECH: J. CAIRO DATE 7-7-09	DATE 7-7-09			
		APPROVED: T. SASADA DATE 7-8-09	DATE 7-8-09	ORIGINAL DESIGN: - DATE -	SIZE A	REVISION R00	PAGE 1 of 3
					DRAWING #: DD.V1K.FR7.FNL.01		

TERMINAL AND WIRING DETAILS (SCALE 1:3)



TERMINAL AND WIRE SPECIFICATIONS FOR
MAIN CIRCUIT AND GROUND

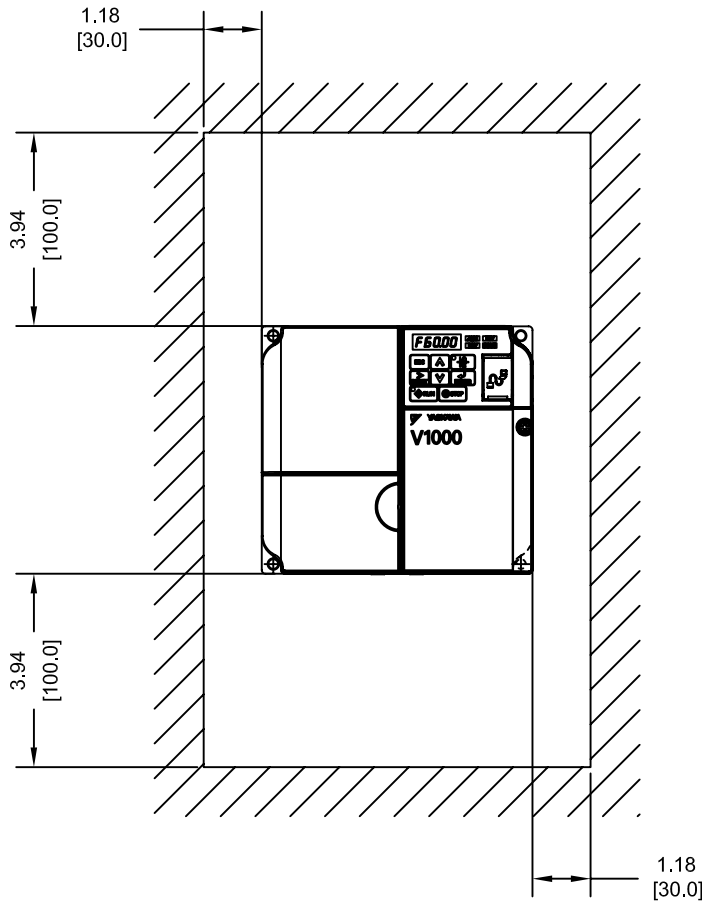
MODEL #	TERMINAL SCREW	CLAMPING TORQUE lb.in.(N.m.)	WIRE RANGE AWG(mm ²)
2A0020J	M4	10.6 TO 13.3 (1.2 TO 1.5)	22-10 (0.33-5.5)
4A0011J	M4	10.6 TO 13.3 (1.2 TO 1.5)	22-10 (0.33-5.5)

NOTE: RATINGS APPLY TO BOTH FACTORY AND FIELD WIRING
REFER TO APPLICABLE CODES FOR PROPER WIRE TYPE AND SIZE

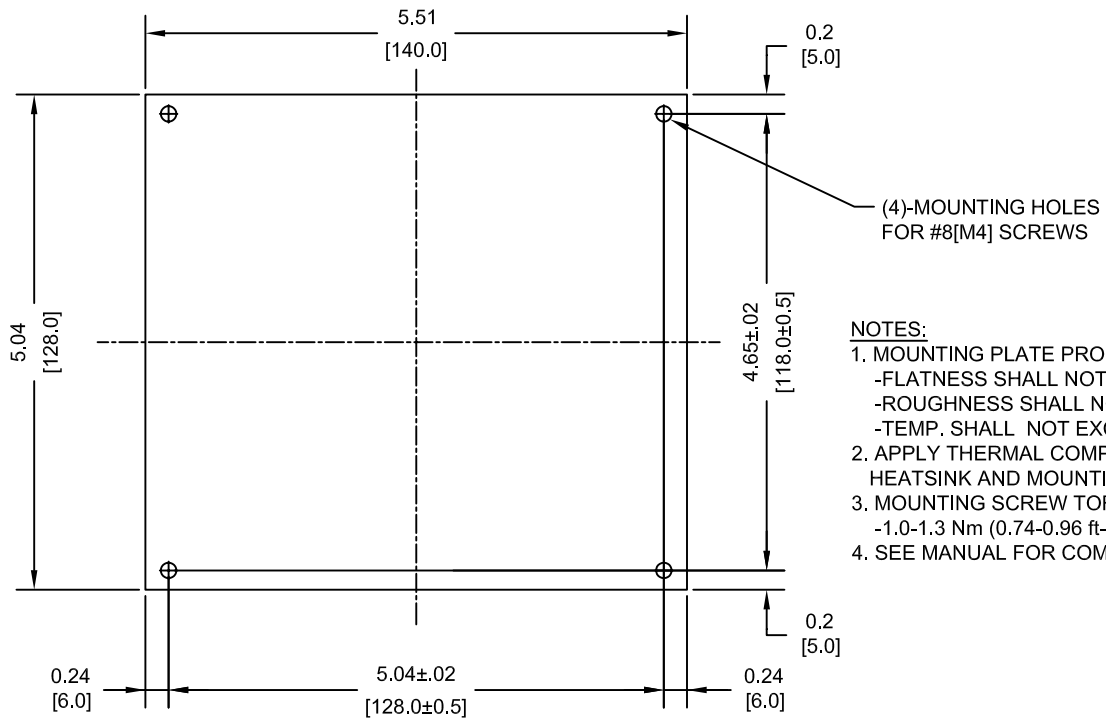
FOR ADDITIONAL DETAILS AND SPECIFICATIONS, CONSULT MANUAL

TOLERANCES / REFERENCES:		<p>THIS DOCUMENT AND INFORMATION CONTAINED IN IT ARE CONFIDENTIAL, AND CANNOT BE COPIED OR DISCLOSED IN WHOLE OR IN PART WITHOUT THE EXPRESS WRITTEN CONSENT OF YASKAWA ELECTRIC AMERICA INC.</p>	DRAWN: J. MATTAS DATE 1-7-09	DATE 1-7-09	TITLE: V1000 DIMENSION DRAWING FRAME SIZE 7 FINLESS HEATSINK 2A0020J & 4A0011J	
UNITS: IN[mm]			CHECKED: J. PIOTROWSKI DATE 5-20-09	DATE 5-20-09		SIZE A
SCALE: BY VIEW			TECH: J. CAIRO DATE 7-7-09	DATE 7-7-09		REVISION R00
			APPROVED: T. SASADA DATE 7-8-09	DATE 7-8-09		PAGE 2 of 3
		ORIGINAL DESIGN: -	DATE -	DRAWING #: DD.V1K.FR7.FNL.01		

MINIMUM INSTALLATION CLEARANCES (SCALE 1:4)



MOUNTING DIMENSIONS (SCALE 1:2)



NOTES:

1. MOUNTING PLATE PROPERTIES
 - FLATNESS SHALL NOT EXCEED 0.2mm
 - ROUGHNESS SHALL NOT EXCEED 25S
 - TEMP. SHALL NOT EXCEED 90C (194F)
2. APPLY THERMAL COMPOUND BETWEEN HEATSINK AND MOUNTING PLATE.
3. MOUNTING SCREW TORQUE
 - 1.0-1.3 Nm (0.74-0.96 ft-lbf)
4. SEE MANUAL FOR COMPLETE DETAILS

TOLERANCES / REFERENCES:		<p>THIS DOCUMENT AND INFORMATION CONTAINED IN IT ARE CONFIDENTIAL, AND CANNOT BE COPIED OR DISCLOSED IN WHOLE OR IN PART WITHOUT THE EXPRESS WRITTEN CONSENT OF YASKAWA ELECTRIC AMERICA INC.</p>	DRAWN: J. MATTAS	DATE: 1-7-09	TITLE: V1000 DIMENSION DRAWING FRAME SIZE 7 FINLESS HEATSINK 2A0020J & 4A0011J
			CHECKED: J. PIOTROWSKI	DATE: 5-20-09	
			TECH: J. CAIRO	DATE: 7-7-09	
			APPROVED: T. SASADA	DATE: 7-8-09	
UNITS: IN[mm]	SCALE: BY VIEW	ORIGINAL DESIGN:			SIZE: A REVISION: R00 PAGE: 3 of 3
					DRAWING #: DD.V1K.FR7.FNL.01