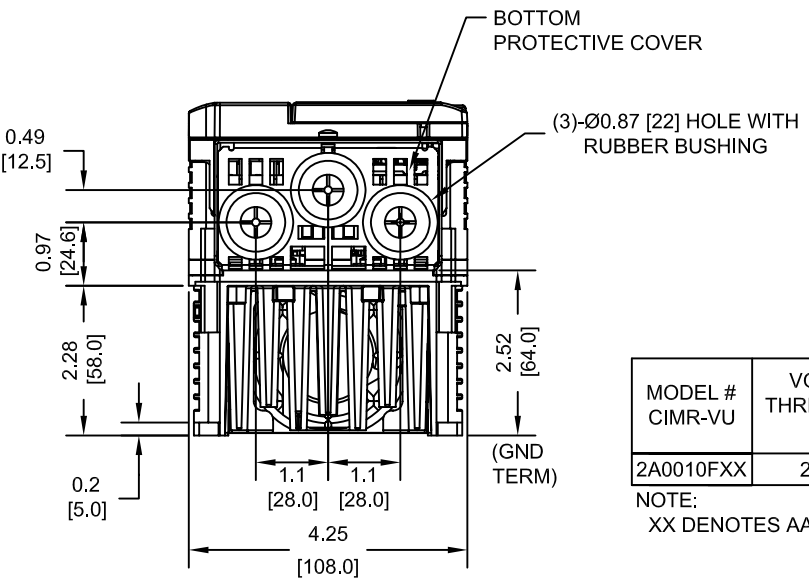
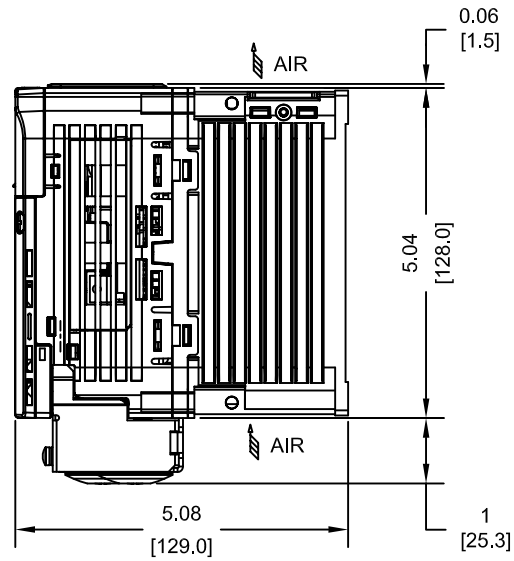
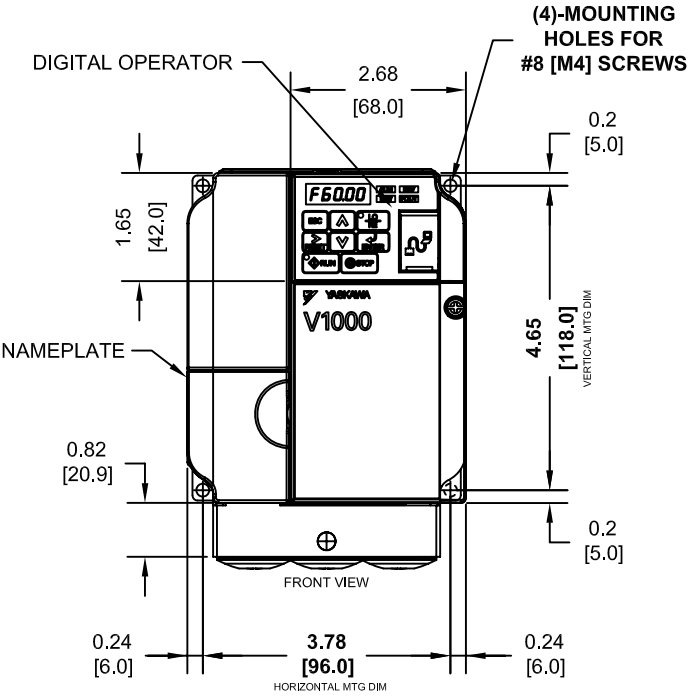


**NOTE:**  
 PROTECTIVE COVERS ARE FACTORY INSTALLED TO THE TOP AND BOTTOM OF THE DRIVE TO MEET IP20 & NEMA TYPE 1 REQUIREMENTS, RESULTING IN AN AMBIENT TEMPERATURE RATING OF 104F(40C). REMOVE THESE COVERS WHEN OPERATING THE DRIVE WITHIN A PANEL TO OBTAIN THE MAXIMUM SURROUNDING AIR TEMPERATURE RATING OF 122F(50C). REMOVING THESE COVERS RESULTS IN AN ENCLOSURE RATING OF IP00.



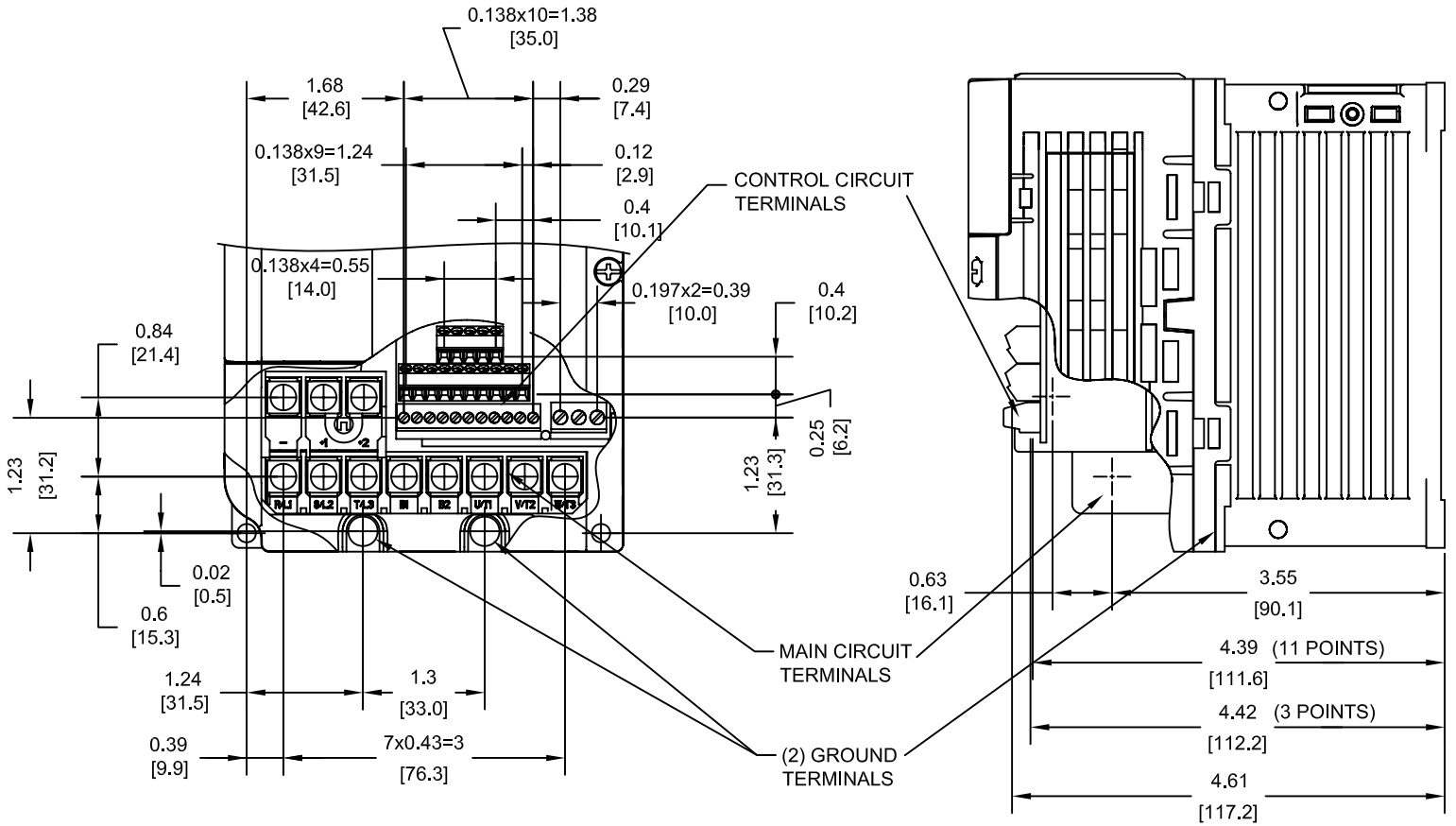
MODEL # CIMR-VU	VOLTAGE THREE PHASE (VAC)	OUTPUT CURRENT (A)		WEIGHT LBS (Kg)	HEAT LOSS (W)					
		ND	HD		ND (Fc=2kHz)			HD (Fc=8kHz)		
					INT	EXT	TOT	INT	EXT	TOT
2A0010FXX	208/240	9.6	8.0	4.2 (1.9)	25.8	51.7	77.5	23.8	54.8	78.6

**NOTE:**  
 XX DENOTES AA-ZZ  
 INT=INTERNAL COMPONENTS  
 EXT=EXTERNAL HEATSINK  
 TOT=TOTAL

FOR ADDITIONAL DETAILS AND SPECIFICATIONS, CONSULT MANUAL

TOLERANCES / REFERENCES:		<p><b>YASKAWA</b> The Drive for Quality™</p> <p><i>THIS DOCUMENT AND INFORMATION CONTAINED IN IT ARE CONFIDENTIAL, AND CANNOT BE COPIED OR DISCLOSED IN WHOLE OR IN PART WITHOUT THE EXPRESS WRITTEN CONSENT OF YASKAWA ELECTRIC AMERICA INC.</i></p>	DRAWN: J. MATTAS	DATE: 12-11-07	TITLE: V1000 DIMENSION DRAWING FRAME SIZE 7 NEMA TYPE 1 ENCLOSURE 2A0010F
UNITS: IN[mm]	SCALE: 1:3		CHECKED: M. RUCINSKI	DATE: 5-7-08	
			TECH: J. CAIRO	DATE: 3-24-08	
		APPROVED: T. SASADA	DATE: 5-27-08	ORIGINAL DESIGN: -	DATE: -
					SIZE: A REVISION: R00 PAGE: 1 of 3
					DRAWING #: <b>DD.V1K.FR7.N1</b>

TERMINAL AND WIRING DETAILS (SCALE 1:2)



TERMINAL AND WIRE SPECIFICATIONS FOR  
MAIN CIRCUIT AND GROUND

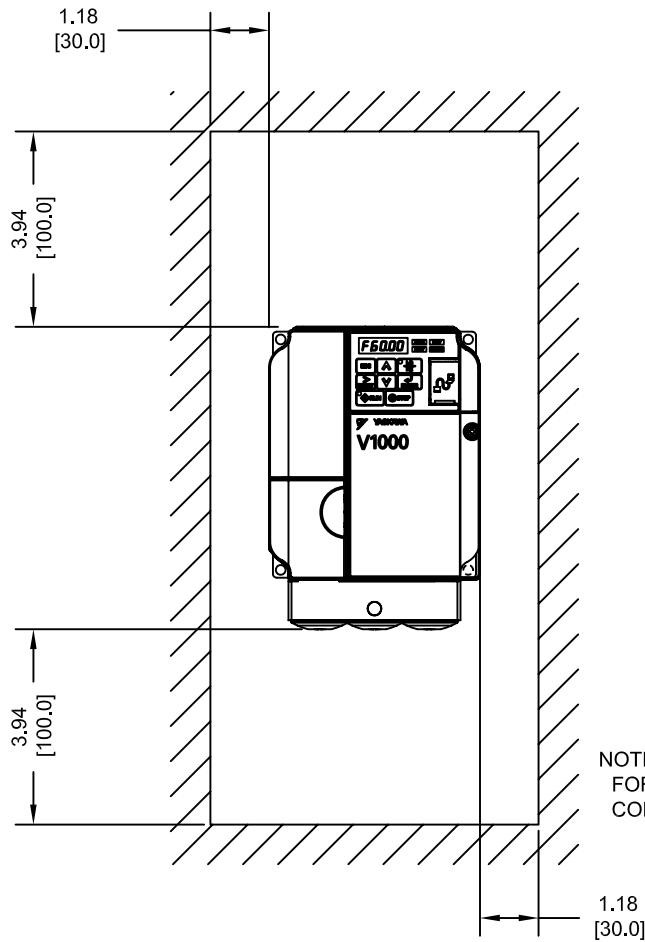
MODEL #	TERMINAL SCREW	CLAMPING TORQUE lb.in.(N.m.)	WIRE RANGE AWG(mm <sup>2</sup> )
2A0010F	M4	10.6 TO 13.3 (1.2 TO 1.5)	22-10 (0.33-5.5)

NOTE: RATINGS APPLY TO BOTH FACTORY AND FIELD WIRING  
REFER TO APPLICABLE CODES FOR PROPER WIRE TYPE AND SIZE

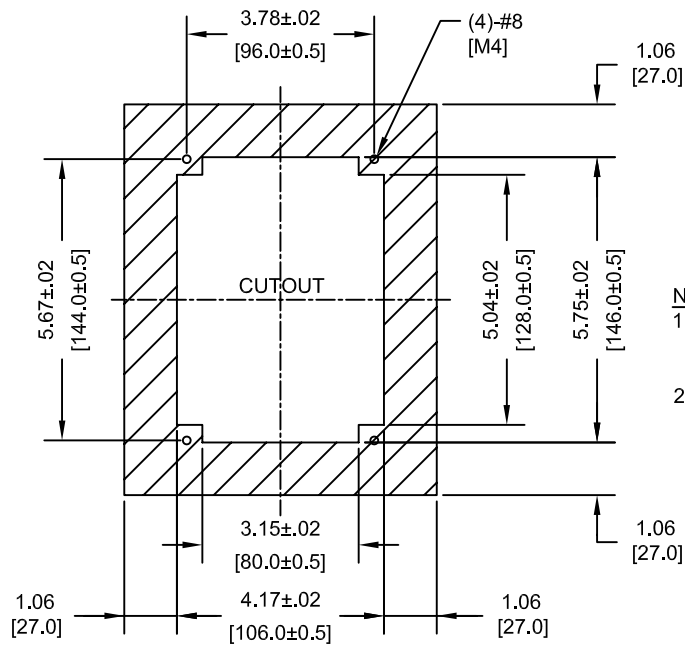
FOR ADDITIONAL DETAILS AND SPECIFICATIONS, CONSULT MANUAL

TOLERANCES / REFERENCES:		DRAWN: J. MATTAS	DATE: 12-11-07	TITLE: V1000 DIMENSION DRAWING FRAME SIZE 7 NEMA TYPE 1 ENCLOSURE 2A0010F			
		CHECKED: M. RUCINSKI	DATE: 5-7-08				
UNITS: IN[mm]	SCALE: BY VIEW	<i>THIS DOCUMENT AND INFORMATION CONTAINED IN IT ARE CONFIDENTIAL, AND CANNOT BE COPIED OR DISCLOSED IN WHOLE OR IN PART WITHOUT THE EXPRESS WRITTEN CONSENT OF YASKAWA ELECTRIC AMERICA INC.</i>		TECH: J. CAIRO			
		APPROVED: T. SASADA	DATE: 5-27-08	DATE: 3-24-08			
		ORIGINAL DESIGN: -	DATE: -	<table border="1"> <tr> <td>SIZE A</td> <td>REVISION R00</td> <td>PAGE 2 of 3</td> </tr> </table>	SIZE A	REVISION R00	PAGE 2 of 3
SIZE A	REVISION R00	PAGE 2 of 3					
				DRAWING #: <b>DD.V1K.FR7.N1</b>			

MINIMUM INSTALLATION CLEARANCES (SCALE 1:4)



PANEL CUTOUT FOR EXTERNAL HEATSINK MOUNTING CONFIGURATION (SCALE 1:4)



- NOTES:
- EXTERNAL HEATSINK CONFIGURATION REQUIRES MOUNTING KIT
  - EXPOSED HEATSINK RECOMMENDED CLEARANCE D=2.76" MINUS PANEL THICKNESS

TOLERANCES / REFERENCES:		<p><b>YASKAWA</b> The Drive for Quality™</p> <p><i>THIS DOCUMENT AND INFORMATION CONTAINED IN IT ARE CONFIDENTIAL, AND CANNOT BE COPIED OR DISCLOSED IN WHOLE OR IN PART WITHOUT THE EXPRESS WRITTEN CONSENT OF YASKAWA ELECTRIC AMERICA INC.</i></p>	DRAWN: J. MATTAS	DATE 12-11-07	TITLE: V1000 DIMENSION DRAWING
			CHECKED: M. RUCINSKI	DATE 5-7-08	FRAME SIZE 7
			TECH: J. CAIRO	DATE 3-24-08	NEMA TYPE 1 ENCLOSURE
			APPROVED: T. SASADA	DATE 5-27-08	2A0010F
UNITS: IN[mm]	SCALE: BY VIEW	ORIGINAL DESIGN: -	DATE -	SIZE A	REVISION R00
				DRAWING #:	PAGE 3 of 3
				DD.V1K.FR7.N1	