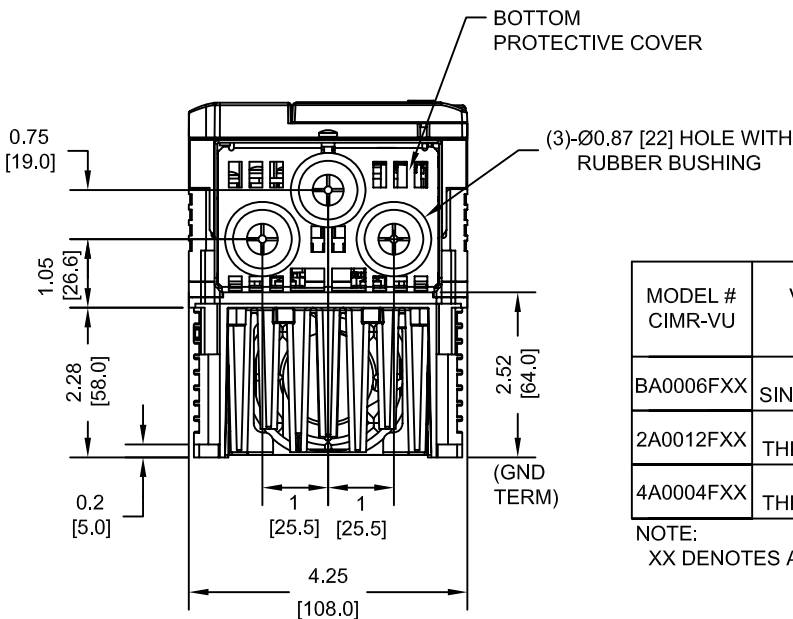
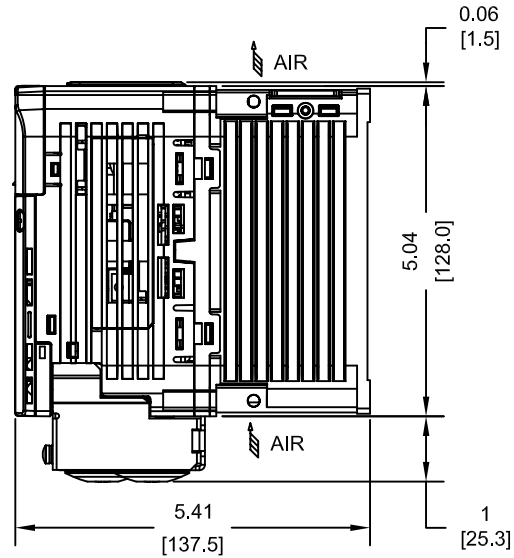
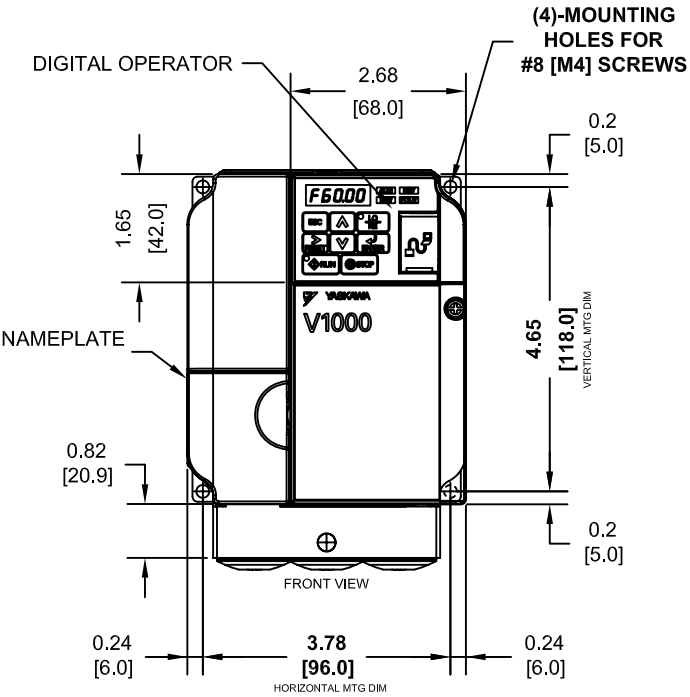
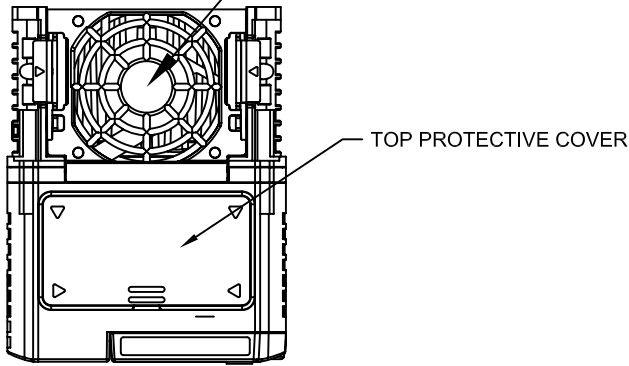


2A0012F: COOLING FAN  
 BA0006F: NATURAL CONVECTION  
 4A0004F: NATURAL CONVECTION

**NOTE:**  
 PROTECTIVE COVERS ARE FACTORY INSTALLED TO THE TOP AND BOTTOM OF THE DRIVE TO MEET IP20 & NEMA TYPE 1 REQUIREMENTS, RESULTING IN AN AMBIENT TEMPERATURE RATING OF 104F(40C). REMOVE THESE COVERS WHEN OPERATING THE DRIVE WITHIN A PANEL TO OBTAIN THE MAXIMUM SURROUNDING AIR TEMPERATURE RATING OF 122F(50C). REMOVING THESE COVERS RESULTS IN AN ENCLOSURE RATING OF IP00.



MODEL # CIMR-VU	VOLTAGE (VAC)	OUTPUT CURRENT (A)		WEIGHT LBS (Kg)	HEAT LOSS (W)					
		ND	HD		ND (Fc=2kHz)			HD (Fc=8kHz)		
					INT	EXT	TOT	INT	EXT	TOT
BA0006FXX	208/240 SINGLE PHASE	6.0	5.0	4.2 (1.9)	19.4	30.1	49.5	16.8	33.7	50.5
2A0012FXX	208/240 THREE PHASE	12.0	11.0	4.2 (1.9)	30.4	61.3	91.7	29.9	70.7	100.6
4A0004FXX	380/480 THREE PHASE	4.1	3.4	4.2 (1.9)	16.8	30.5	47.3	17.9	42.3	60.2

NOTE:  
 XX DENOTES AA-ZZ

INT=INTERNAL COMPONENTS  
 EXT=EXTERNAL HEATSINK  
 TOT=TOTAL

FOR ADDITIONAL DETAILS AND SPECIFICATIONS, CONSULT MANUAL

TOLERANCES / REFERENCES:



THIS DOCUMENT AND INFORMATION CONTAINED IN IT ARE CONFIDENTIAL, AND CANNOT BE COPIED OR DISCLOSED IN WHOLE OR IN PART WITHOUT THE EXPRESS WRITTEN CONSENT OF YASKAWA ELECTRIC AMERICA INC.

DRAWN: J. MATTAS

CHECKED: M. RUCINSKI

TECH: J. CAIRO

APPROVED: T. SASADA

ORIGINAL DESIGN: -

DATE: 12-12-07

DATE: 5-7-08

DATE: 3-24-08

DATE: 5-27-08

DATE: -

TITLE:

V1000 DIMENSION DRAWING

FRAME SIZE 8

NEMA TYPE 1 ENCLOSURE

BA0006F, 2A0012F & 4A0004F

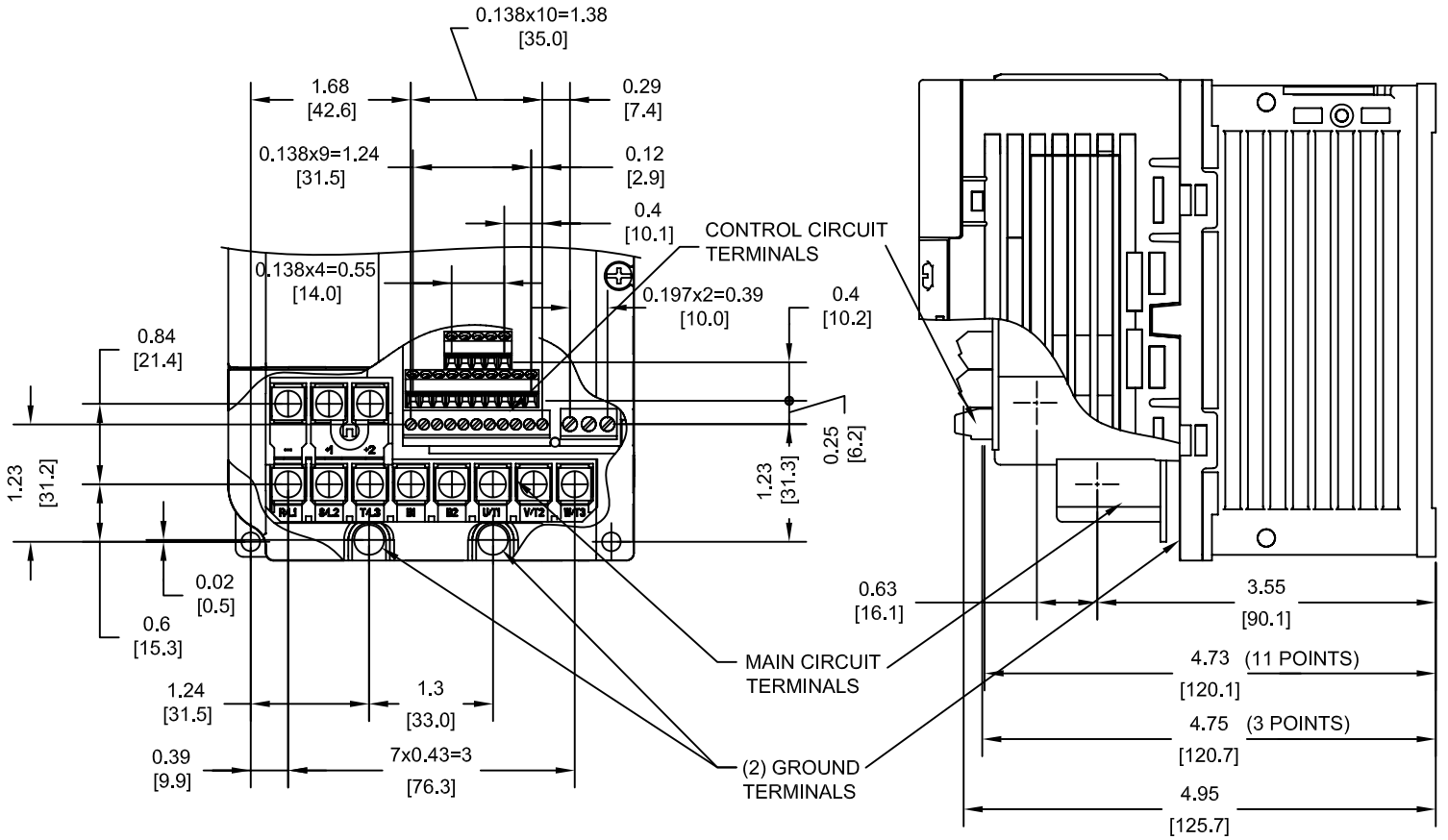
SIZE	REVISION	PAGE
A	R00	1 of 3

DRAWING #: DD.V1K.FR8.N1

UNITS: IN[mm]

SCALE: 1:3

TERMINAL AND WIRING DETAILS (SCALE 1:2)



TERMINAL AND WIRE SPECIFICATIONS FOR  
MAIN CIRCUIT AND GROUND

MODEL #	TERMINAL SCREW	CLAMPING TORQUE lb.in.(N.m.)	WIRE RANGE AWG(mm <sup>2</sup> )
BA0006F	M4	10.6 TO 13.3 (1.2 TO 1.5)	22-10 (0.33-5.5)
2A0012F	M4	10.6 TO 13.3 (1.2 TO 1.5)	22-10 (0.33-5.5)
4A0004F	M4	10.6 TO 13.3 (1.2 TO 1.5)	22-10 (0.33-5.5)

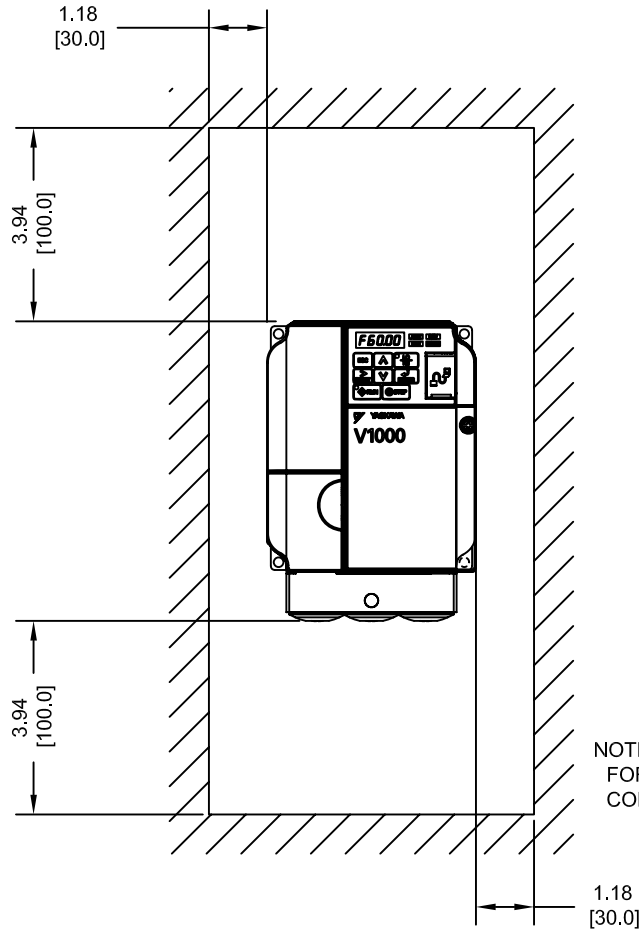
NOTE: RATINGS APPLY TO BOTH FACTORY AND FIELD WIRING  
REFER TO APPLICABLE CODES FOR PROPER WIRE TYPE AND SIZE

FOR ADDITIONAL DETAILS AND SPECIFICATIONS, CONSULT MANUAL

TOLERANCES / REFERENCES:		DRAWN: J. MATTAS 12-12-07	DATE: 12-12-07	TITLE: V1000 DIMENSION DRAWING FRAME SIZE 8 NEMA TYPE 1 ENCLOSURE BA0006F, 2A0012F & 4A0004F
		CHECKED: M. RUCINSKI 3-24-08	DATE: 5-7-08	
UNITS: IN[mm]	SCALE: BY VIEW	TECH: J. CAIRO 3-24-08	DATE: 3-24-08	SIZE: A
		APPROVED: T. SASADA 5-27-08	DATE: 5-27-08	
ORIGINAL DESIGN: -		DATE: -	REVISION: R00	PAGE: 2 of 3
		DRAWING #: DD.V1K.FR8.N1		

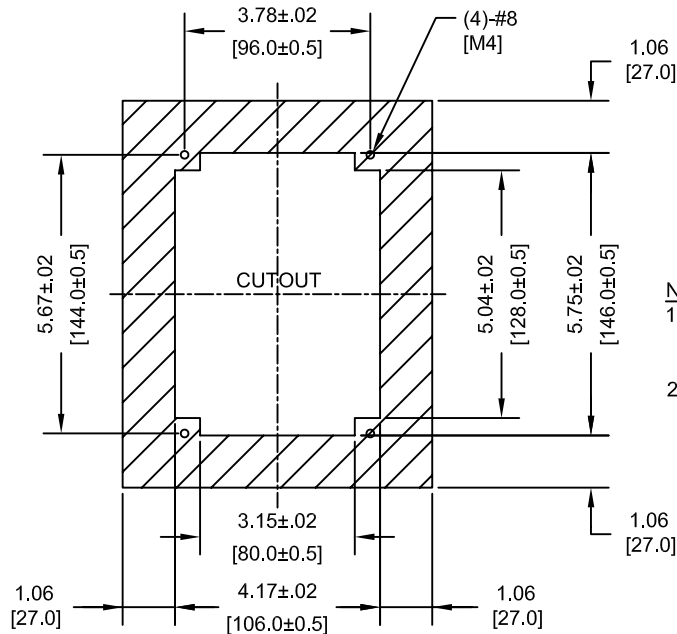
THIS DOCUMENT AND INFORMATION CONTAINED  
IN IT ARE CONFIDENTIAL, AND CANNOT BE  
COPIED OR DISCLOSED IN WHOLE OR IN PART  
WITHOUT THE EXPRESS WRITTEN CONSENT  
OF YASKAWA ELECTRIC AMERICA INC.

MINIMUM INSTALLATION CLEARANCES (SCALE 1:4)



NOTE:  
FOR SIDE-BY-SIDE MOUNTING  
CONSULT MANUAL

PANEL CUTOUT FOR EXTERNAL HEATSINK  
MOUNTING CONFIGURATION (SCALE 1:4)



NOTES:  
1. EXTERNAL HEATSINK  
CONFIGURATION REQUIRES  
MOUNTING KIT  
2. EXPOSED HEATSINK  
RECOMMENDED CLEARANCE  
D=2.76" MINUS PANEL THICKNESS

TOLERANCES / REFERENCES:		<p><b>YASKAWA</b> The Drive for Quality™</p> <p>THIS DOCUMENT AND INFORMATION CONTAINED IN IT ARE CONFIDENTIAL, AND CANNOT BE COPIED OR DISCLOSED IN WHOLE OR IN PART WITHOUT THE EXPRESS WRITTEN CONSENT OF YASKAWA ELECTRIC AMERICA INC.</p>	DRAWN: J. MATTAS	DATE: 12-12-07	TITLE: V1000 DIMENSION DRAWING FRAME SIZE 8 NEMA TYPE 1 ENCLOSURE BA0006F, 2A0012F & 4A0004F
			CHECKED: M. RUCINSKI	DATE: 5-7-08	
			TECH: J. CAIRO	DATE: 3-24-08	
			APPROVED: T. SASADA	DATE: 5-27-08	
UNITS: IN[mm]	SCALE: BY VIEW	ORIGINAL DESIGN:		DATE:	
					DRAWING #: <b>DD.V1K.FR8.N1</b>
					SIZE: A      REVISION: R00      PAGE: 3 of 3