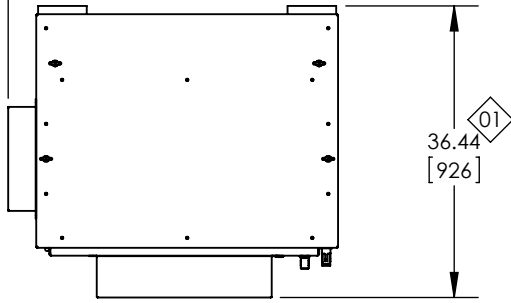


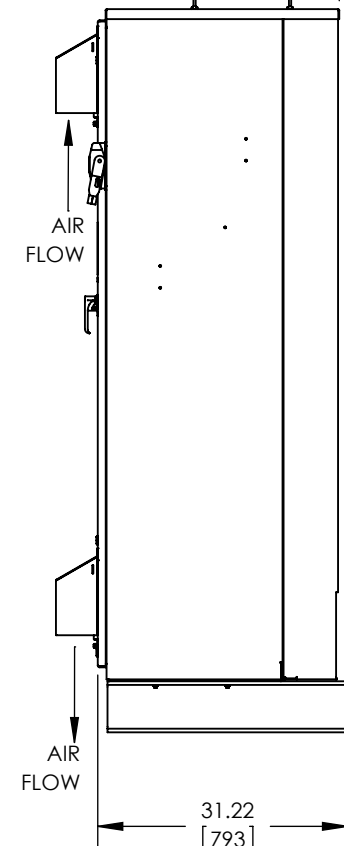
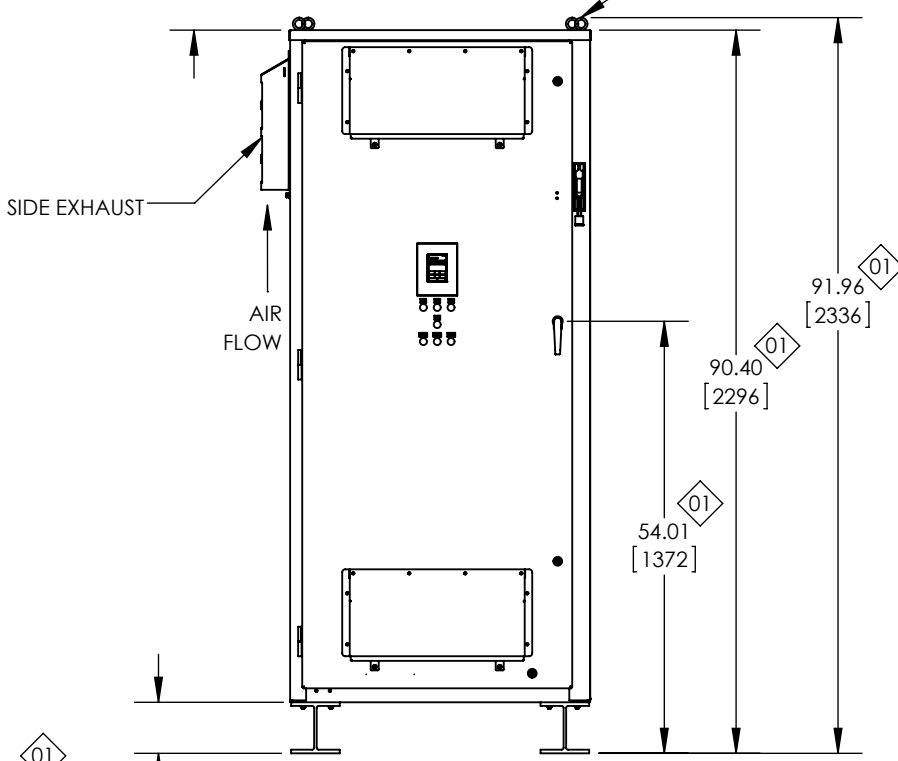
6.00
[152]
MINIMUM
CLEARANCE



REMOVABLE LIFTING EYES

5.00
[127]

63.43
[1611]
DOOR OPEN 90°



6.38
[162]

RECOMMENDED CONDUIT
ENTRANCE AREA

12X Ø .625
[16]

- NOTES:
 A. FOR REFERENCE ONLY UNLESS PROPERLY ENDORSED. FOR ADDITIONAL DETAILS AND SPECIFICATIONS, CONSULT FACTORY.
 B. DIMENSIONS ARE IN INCHES [MILLIMETERS].
 C. FANS, FILTERS, OR CLOSING PLATES ARE SUPPLIED WHEN OPTION MIX NECESSITATES.
 D. USE APPROPRIATE TYPE RATED HUBS OR FITTINGS TO MAINTAIN ENCLOSURE RATING.

REVISIONS				
REV.	DESCRIPTION	ECO #	DRAWN BY	DATE
01	CHANGE: DIMENSIONS AND FEET TO I-BEAM	7119	JDE	4/5/16
00	INITIAL RELEASE	-	JDE	4/26/13

YASKAWA

THIS DOCUMENT AND INFORMATION CONTAINED IN IT ARE CONFIDENTIAL, AND CANNOT BE COPIED OR DISCLOSED IN WHOLE OR IN PART WITHOUT THE EXPRESS WRITTEN CONSENT OF YASKAWA AMERICA INC.

DRAWN: JDE	DATE 04/26/2013	TITLE: DIMENSION DRAWING Z1000, F1, TYPE 3R	
CHECKED: RKM	DATE 04/26/2013	MATERIAL# ---	
APPROVED: BJJ	DATE 05/03/2013	SIZE A	REVISION 01
TECH: JDE	DATE 04/19/2013	PAGE 1 OF 1	
DRAWING #: DD.Z1.3R.F1.02			