

- NOTES:
- A. FOR REFERENCE ONLY UNLESS PROPERLY ENDORSED. FOR ADDITIONAL DETAILS AND SPECIFICATIONS, CONSULT FACTORY.
  - B. DIMENSIONS ARE IN INCHES [MILLIMETERS].
  - C. HATCHED AREA INDICATES PERMISSIBLE CONDUIT ENTRANCE AREA.
  - D. FANS, FILTERS, LEG STANDS OR CLOSING PLATES ARE SUPPLIED WHEN OPTION MIX NECESSITATES.
  - E. USE APPROPRIATE TYPE RATED HUBS OR FITTINGS TO MAINTAIN ENCLOSURE RATING.

REVISIONS

REV.	DESCRIPTION	DRAWN BY	ECO	DATE
03	ADDED NEW TOP	JDE	7119	3/31/16
02	ADDED NEW 12" AND 30" LEG STANDS	JDE	4526	9/11/13
01	ADDED NEW 12" AND 30" LEG STANDS	JDE	4462	8/15/13

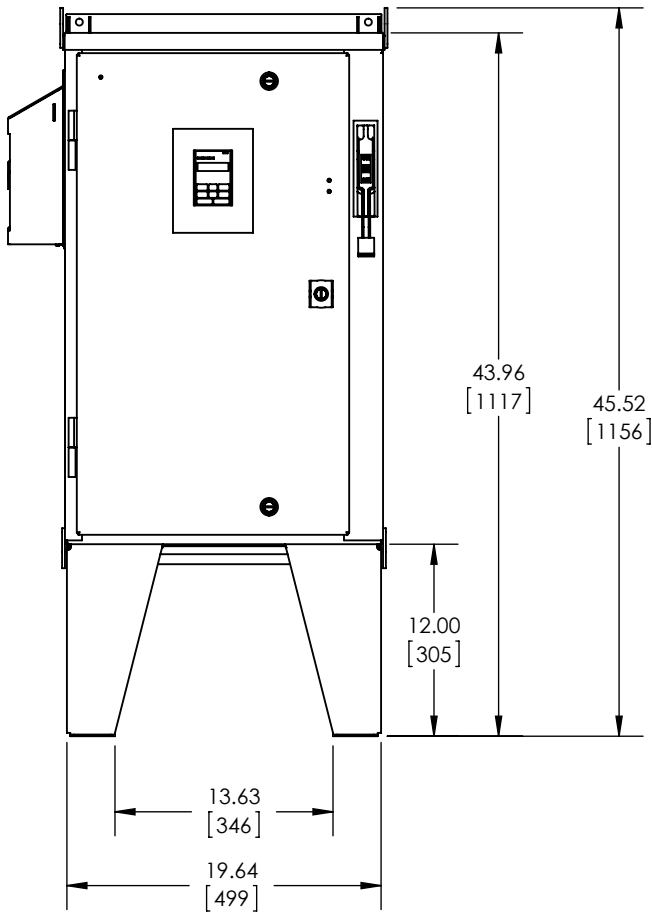
**YASKAWA**

THIS DOCUMENT AND INFORMATION CONTAINED IN IT ARE CONFIDENTIAL, AND CANNOT BE COPIED OR DISCLOSED IN WHOLE OR IN PART WITHOUT THE EXPRESS WRITTEN CONSENT OF YASKAWA AMERICA INC.

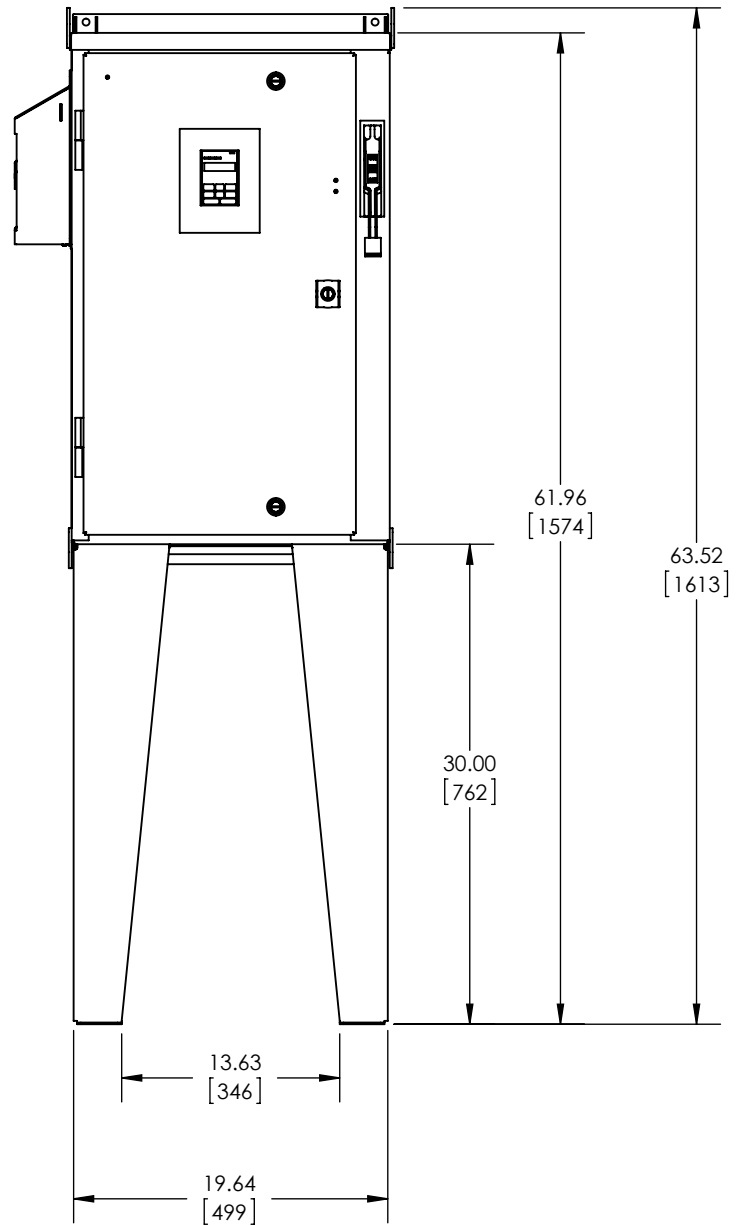
DRAWN: JDE	DATE: 04/25/2013
CHECKED: RKM	DATE: 04/25/2013
APPROVED: BJJ	DATE: 05/02/2013
TECH: JDE	DATE: 04/19/2013

TITLE: DIMENSION DRAWING, Z1000 TYPE 3R, W2		
MATERIAL# ---		
SIZE: A	REVISION: 03	PAGE: 1 OF 2
DRAWING #: DD.Z1.3R.W2.01		

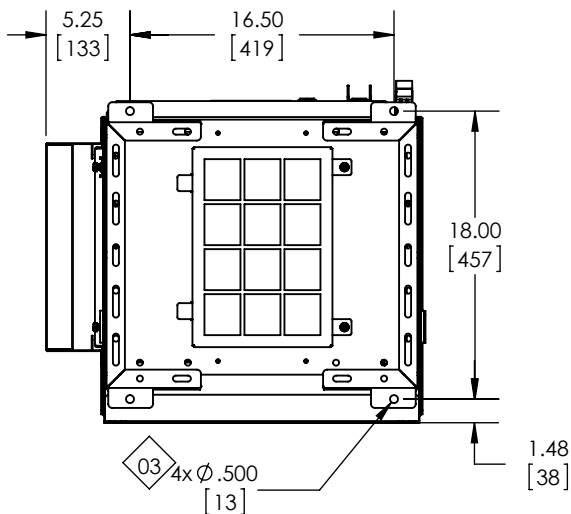
# LEG STAND MOUNTING OPTION DIMENSIONS




**12.0" HIGH LEGS**



**30.0" HIGH LEGS**



**NOTE: DRILL PATTERN SAME FOR 12" AND 30" HIGH LEGS**

 <p><i>THIS DOCUMENT AND INFORMATION CONTAINED IN IT ARE CONFIDENTIAL, AND CANNOT BE COPIED OR DISCLOSED IN WHOLE OR IN PART WITHOUT THE EXPRESS WRITTEN CONSENT OF YASKAWA AMERICA INC.</i></p>	DRAWN: <b>JDE</b>	DATE: 04/25/2013	TITLE: DIMENSION DRAWING, Z1000 TYPE 3R, W2		
	CHECKED: <b>RKM</b>	DATE: 04/25/2013			
	TECH: (blank)	DATE: (blank)	SIZE: <b>A</b>	REVISION: <b>03</b>	PAGE: <b>2 OF 2</b>
	APPROVED: <b>BJJ</b>	DATE: 05/02/2013	DRAWING #: DD.Z1.3R.W2.01		
ORIGINAL DESIGN: <b>JDE</b>	DATE: 04/19/2013				