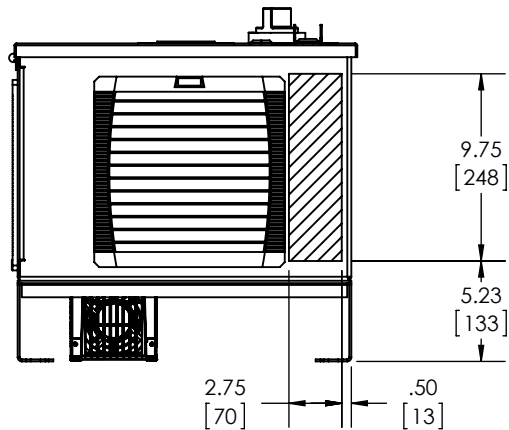
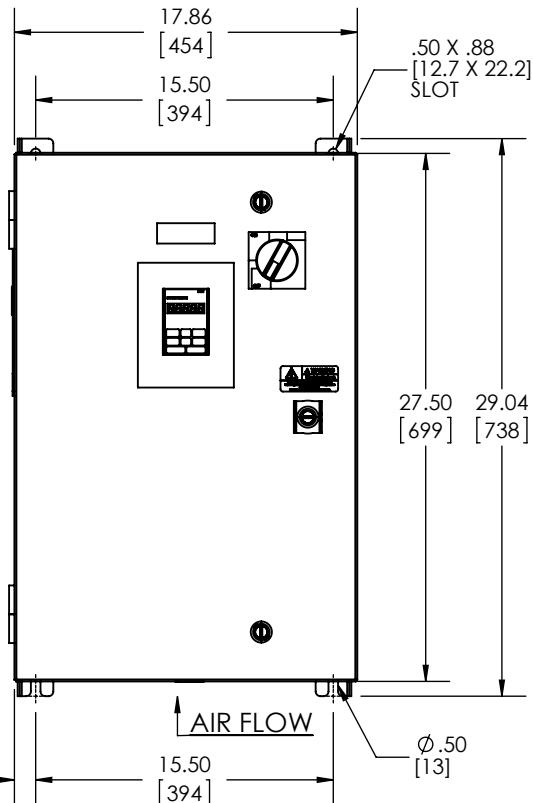


DISCONNECT HANDLE

AIR FLOW

4.00 [102] MINIMUM CLEARANCE WHEN EXHAUST GRILLE IS PRESENT



- NOTES:
 A. FOR REFERENCE ONLY UNLESS PROPERLY ENDORSED. FOR ADDITIONAL DETAILS AND SPECIFICATIONS, CONSULT FACTORY.
 B. DIMENSIONS ARE IN INCHES [MILLIMETERS].
 C. HATCHED AREA INDICATES PERMISSIBLE CONDUIT ENTRY AREA.
 D. FANS, FILTERS OR CLOSING PLATES ARE SUPPLIED WHEN OPTION MIX NECESSITATES.
 E. USE APPROPRIATE TYPE RATED HUBS OR FITTINGS TO MAINTAIN ENCLOSURE RATING.

david_dahlman Tuesday, December 29, 2015 3:54:54 PM

YASKAWA

DRAWN: D. Packer	DATE 01/23/2013
CHECKED: D. Cmelak	DATE 01/23/2013
TECH:	DATE
APPROVED: K. Flierl	DATE 01/23/2013
ORIGINAL DESIGNER: D. Packer	DATE 01/23/2013

TITLE: DIMENSION DRAWING, Z1000, TYPE 12, W1		
MATERIAL#	---	
SIZE A	REVISION 01	PAGE 1 OF 1
DRAWING #: DD.Z1BB.12.W1.01		

THIS DOCUMENT AND INFORMATION CONTAINED IN IT ARE CONFIDENTIAL, AND CANNOT BE COPIED OR DISCLOSED IN WHOLE OR IN PART WITHOUT THE EXPRESS WRITTEN CONSENT OF YASKAWA AMERICA INC.

REVISIONS

REV.	DESCRIPTION	ECR#	DRAWN BY	DATE
01	RE-DESIGN OF ENCLOSURE	5871	DSD	12/29/2015