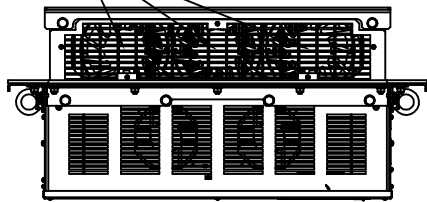
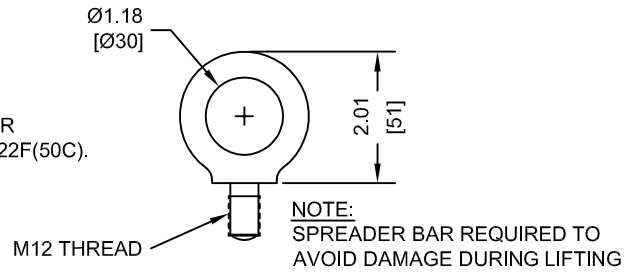


(3) EXTERNAL COOLING FANS

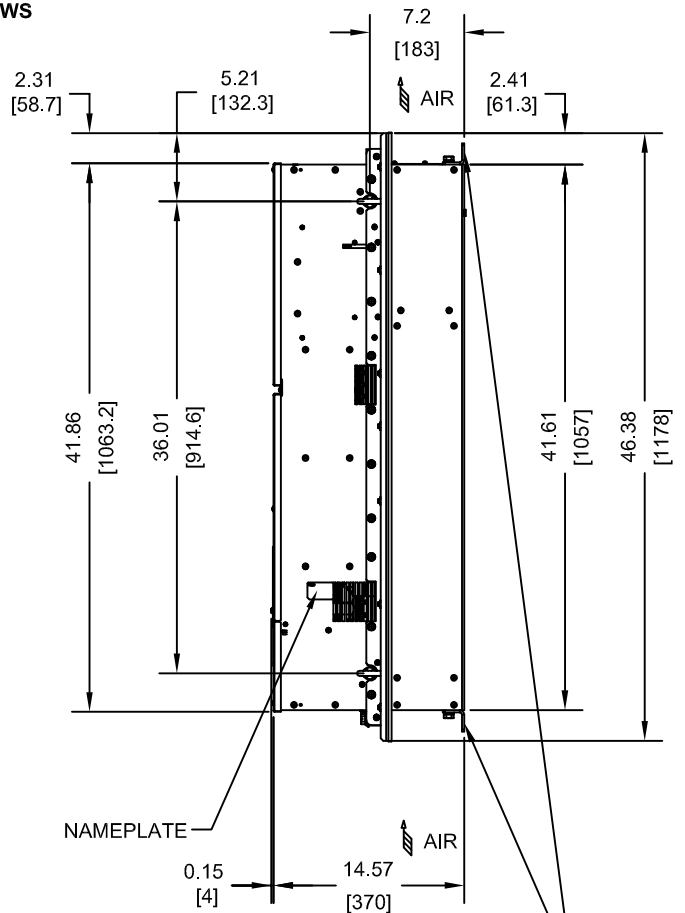
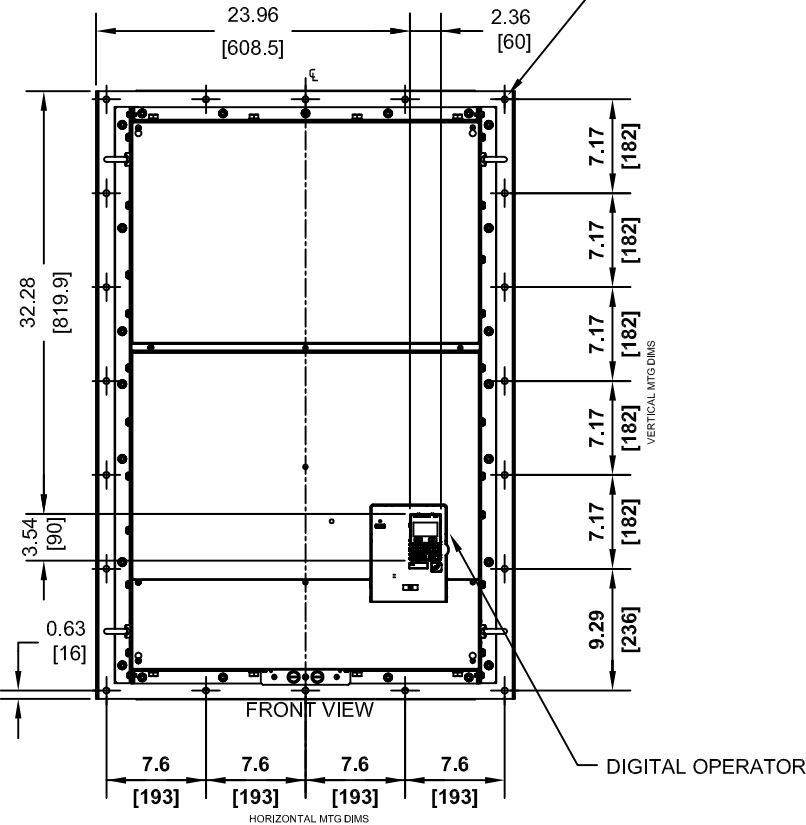


NOTE:
MAXIMUM SURROUNDING AIR
TEMPERATURE RATING IS 122F(50C).

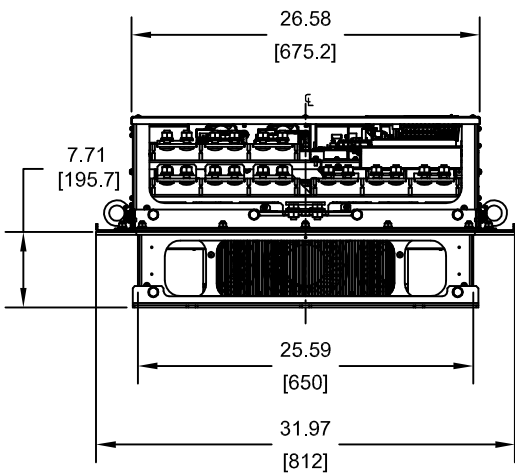
LIFTING AND EYEBOLT DETAILS



(20)-MOUNTING HOLES
FOR 3/8" [M10] SCREWS



(2)-MOUNTING BRACKETS
USED DURING TRANSPORT ONLY
REMOVE BEFORE INSTALLING



MODEL # CIMR-ZU	VOLTAGE THREE-PHASE (VAC)	OUTPUT CURRENT (A)	WEIGHT LBS (Kg)	HEAT LOSS (W) (Fc=2kHz)		
				INT	EXT	TOT
4A0480UXX	380/480	480	492 (223)	2011	3881	5893
4A0515UXX		515	492 (223)	1670	3567	5238
4A0590UXX		590	503 (228)	1964	4130	6094

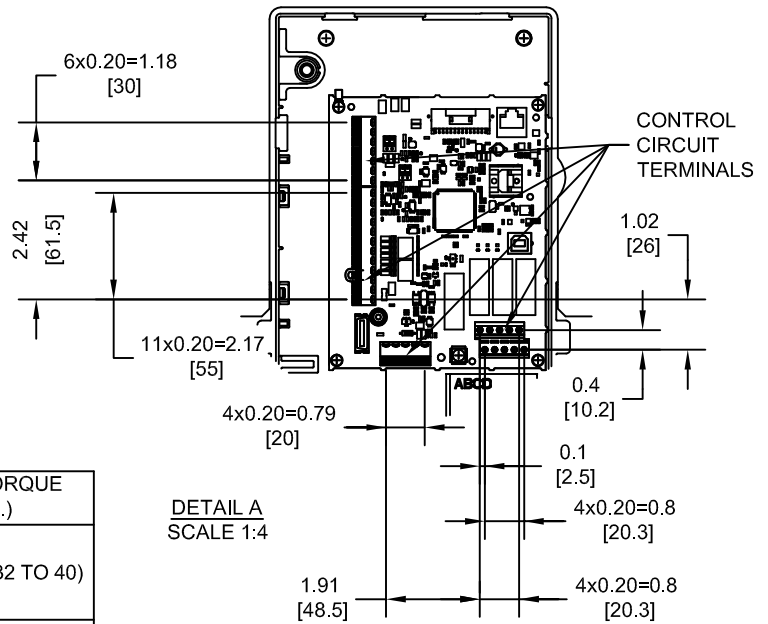
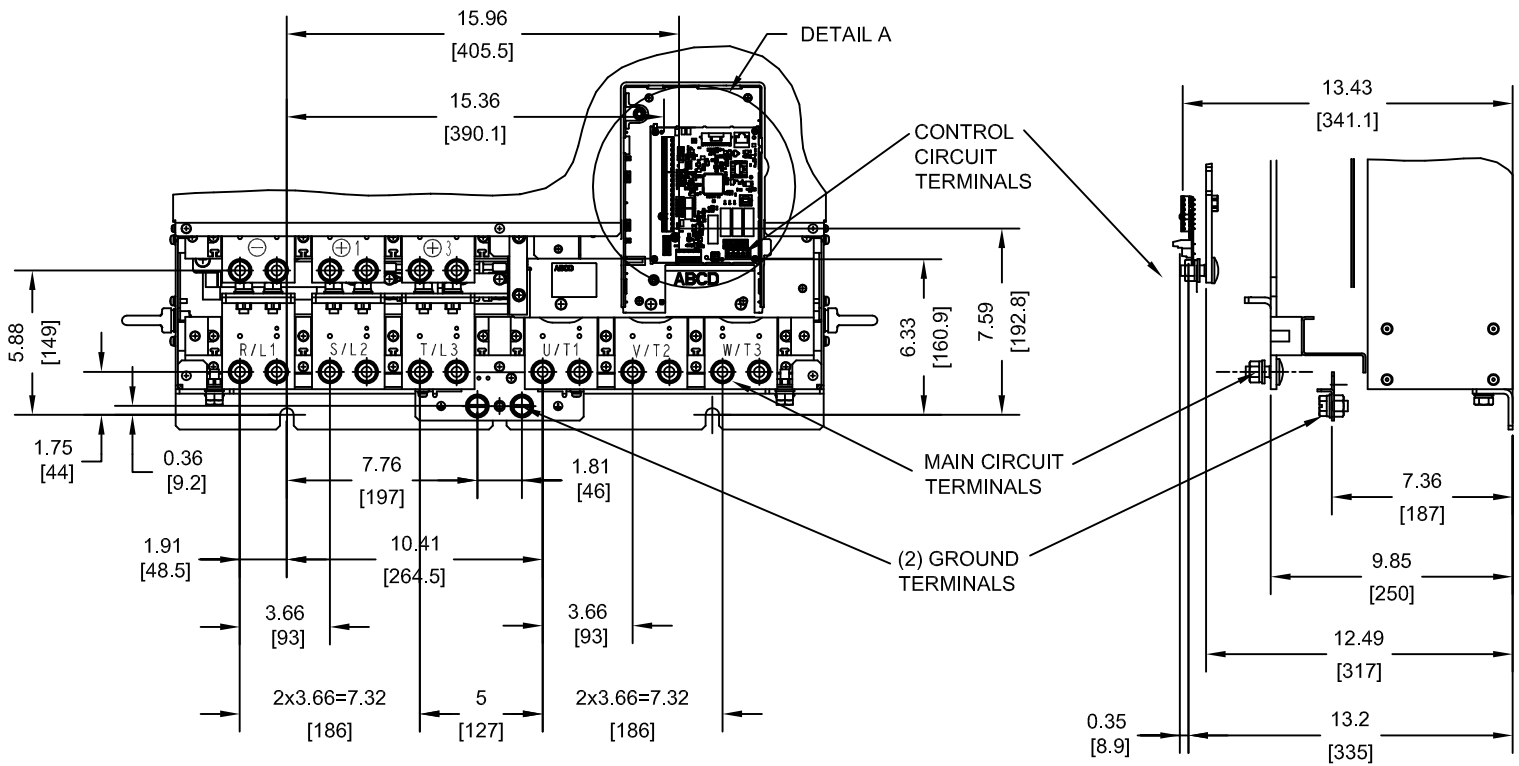
NOTE:
XX DENOTES AA-ZZ

INT=INTERNAL COMPONENTS
EXT=EXTERNAL HEATSINK
TOT=TOTAL

FOR ADDITIONAL DETAILS AND SPECIFICATIONS, CONSULT MANUAL

TOLERANCES / REFERENCES:		<p>THIS DOCUMENT AND INFORMATION CONTAINED IN IT ARE CONFIDENTIAL, AND CANNOT BE COPIED OR DISCLOSED IN WHOLE OR IN PART WITHOUT THE EXPRESS WRITTEN CONSENT OF YASKAWA AMERICA, INC.</p>	DRAWN: J. MATTAS DATE: 7-15-13	TITLE: Z1000 DIMENSION DRAWING FRAME SIZE 10 DESIGNED FOR IP54/TYPE 12 ENCLOSURE 4A0480U, 4A0515U, 4A0590U
UNITS: IN [mm]			CHECKED: J. PIOTROWSKI DATE: 7-20-13	SIZE: A REVISION: R00 PAGE: 1 of 3
SCALE: 1:15			TECH: J. BORJA DATE: 7-25-13	DRAWING #: DD.Z1K.FR10.FLNG
			APPROVED: J. CAIRO DATE: 8-5-13	

TERMINAL AND WIRING DETAILS (SCALE 1:8)



TERMINAL AND WIRE SPECIFICATIONS FOR MAIN CIRCUIT AND GROUND

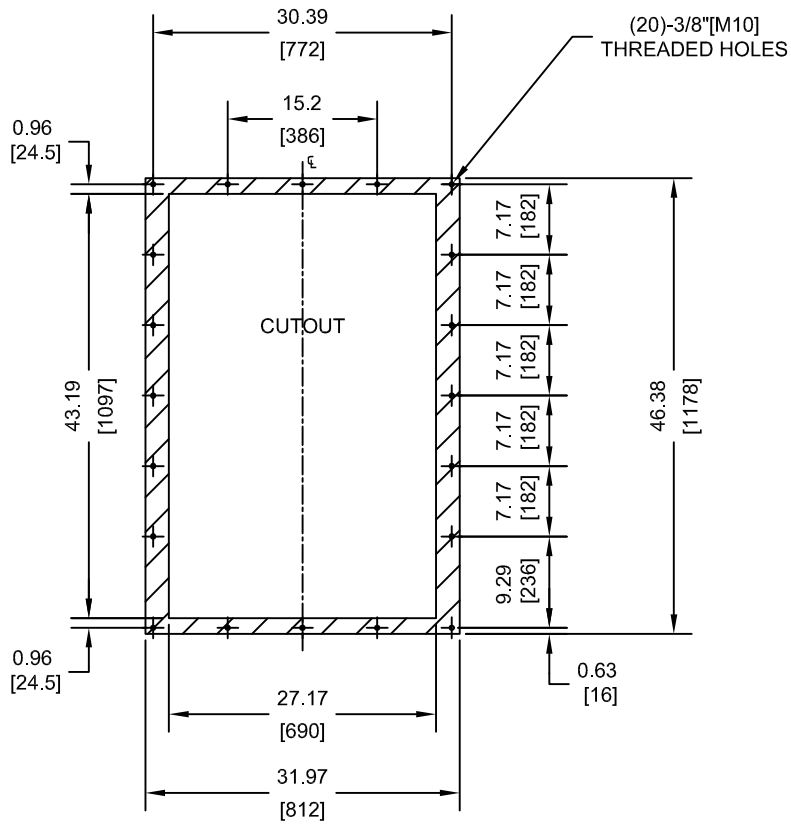
MODEL # CIMR-ZU	TERMINAL SYMBOL	TERMINAL SCREW	CLAMPING TORQUE lb.in.(N.m.)
4A0480 4A0515 4A0590	R/L1, S/L2, T/L3	M12	283.2 TO 354.0 (32 TO 40)
	U/T1, V/T2, W/T3		
	⊖, ⊕1	M12	283.2 TO 354.0 (32 TO 40)
	⊕3	M12	283.2 TO 354.0 (32 TO 40)
	⊕	M12	283.2 TO 354.0 (32 TO 40)

NOTE: REFER TO APPLICABLE CODES FOR PROPER WIRE TYPE AND SIZE

FOR ADDITIONAL DETAILS AND SPECIFICATIONS, CONSULT MANUAL

TOLERANCES / REFERENCES:			DRAWN: J. MATTAS	DATE 7-15-13	TITLE: Z1000 DIMENSION DRAWING	
UNITS: IN [mm]	SCALE: BY VIEW		CHECKED: J. PIOTROWSKI	DATE 7-20-13	FRAME SIZE 10 DESIGNED FOR IP54/TYPE 12 ENCLOSURE 4A0480U, 4A0515U, 4A0590U	
		THIS DOCUMENT AND INFORMATION CONTAINED IN IT ARE CONFIDENTIAL, AND CANNOT BE COPIED OR DISCLOSED IN WHOLE OR IN PART WITHOUT THE EXPRESS WRITTEN CONSENT OF YASKAWA AMERICA, INC.		TECH: J. BORJA	DATE 7-25-13	SIZE A
		APPROVED: J. CAIRO	DATE 8-5-13	REVISION R00	PAGE 2 of 3	DRAWING #: DD.Z1K.FR10.FLNG
		ORIGINAL DESIGN: -	DATE -			


PANEL CUTOUT FOR EXTERNAL HEATSINK MOUNTING CONFIGURATION (SCALE 1:20)



NOTES:

1. CUTOUT TOLERANCES:
+/- 0.02IN (0.5MM)
2. EXPOSED HEATSINK DEPTH
D=7.71" MINUS PANEL THICKNESS
3. MIN. RECOMMENDED PANEL
THICKNESS: 10 GA

FOR ADDITIONAL DETAILS AND SPECIFICATIONS, CONSULT MANUAL

TOLERANCES / REFERENCES:		 THIS DOCUMENT AND INFORMATION CONTAINED IN IT ARE CONFIDENTIAL, AND CANNOT BE COPIED OR DISCLOSED IN WHOLE OR IN PART WITHOUT THE EXPRESS WRITTEN CONSENT OF YASKAWA AMERICA, INC.	DRAWN: J. MATTAS	DATE: 7-15-13	TITLE: Z1000 DIMENSION DRAWING FRAME SIZE 10 DESIGNED FOR IP54/TYPE 12 ENCLOSURE 4A0480U, 4A0515U, 4A0590U	
			CHECKED: J. PIOTROWSKI	DATE: 7-20-13		
			TECH: J. BORJA	DATE: 7-25-13		
			APPROVED: J. CAIRO	DATE: 8-5-13		
UNITS: IN [mm]	SCALE: BY VIEW	ORIGINAL DESIGN: -	DATE: -	SIZE: A	REVISION: R00	PAGE: 3 of 3
				DRAWING #: DD.Z1K.FR10.FLNG		