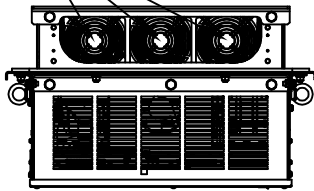
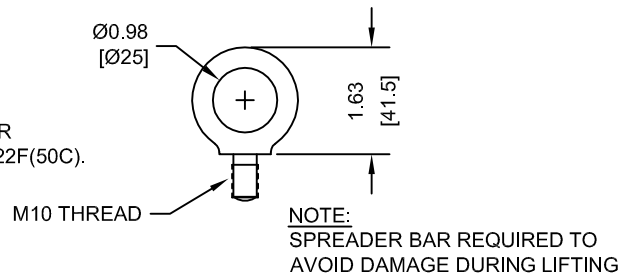


(3) EXTERNAL COOLING FANS



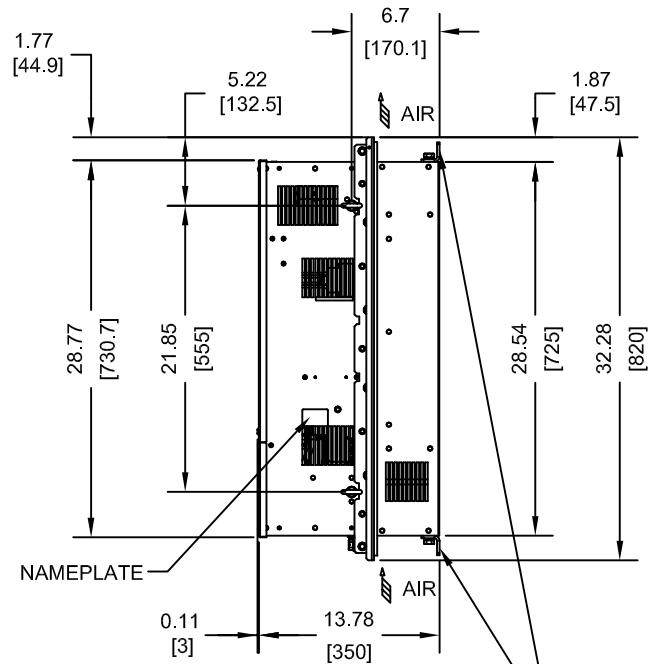
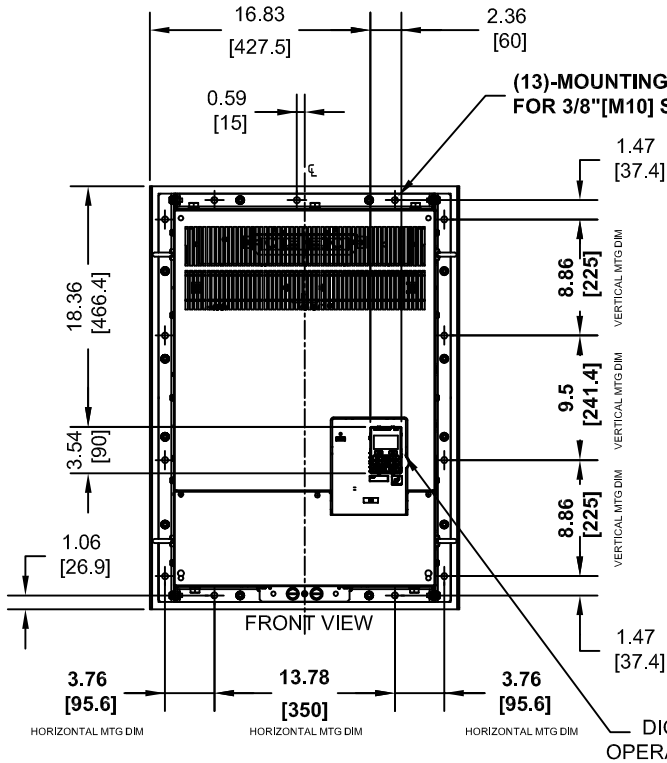
LIFTING AND EYEBOLT DETAILS



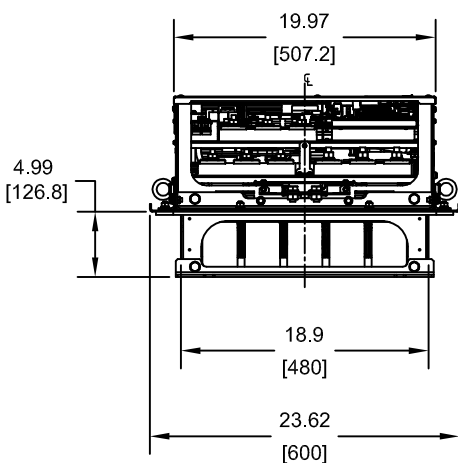
NOTE:  
MAXIMUM SURROUNDING AIR  
TEMPERATURE RATING IS 122F(50C).

NOTE:  
SPREADER BAR REQUIRED TO  
AVOID DAMAGE DURING LIFTING

(13)-MOUNTING HOLES  
FOR 3/8" [M10] SCREWS



(2)-MOUNTING BRACKETS  
USED DURING TRANSPORT ONLY  
REMOVE BEFORE INSTALLING



MODEL # CIMR-ZU	VOLTAGE THREE-PHASE (VAC)	OUTPUT CURRENT (A)	WEIGHT LBS (Kg)	HEAT LOSS (W) (Fc=2kHz)		
				INT	EXT	TOT
2A0343UXX	200/240	343	238 (108)	655	1964	2619
2A0396UXX		396	251 (114)	829	2435	3264
4A0361UXX	380/480	361	257 (117)	1130	3168	4298

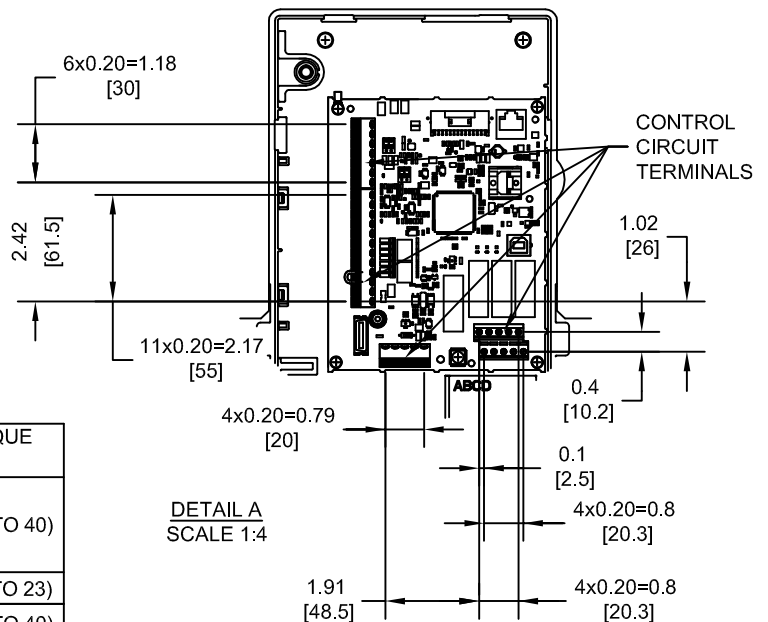
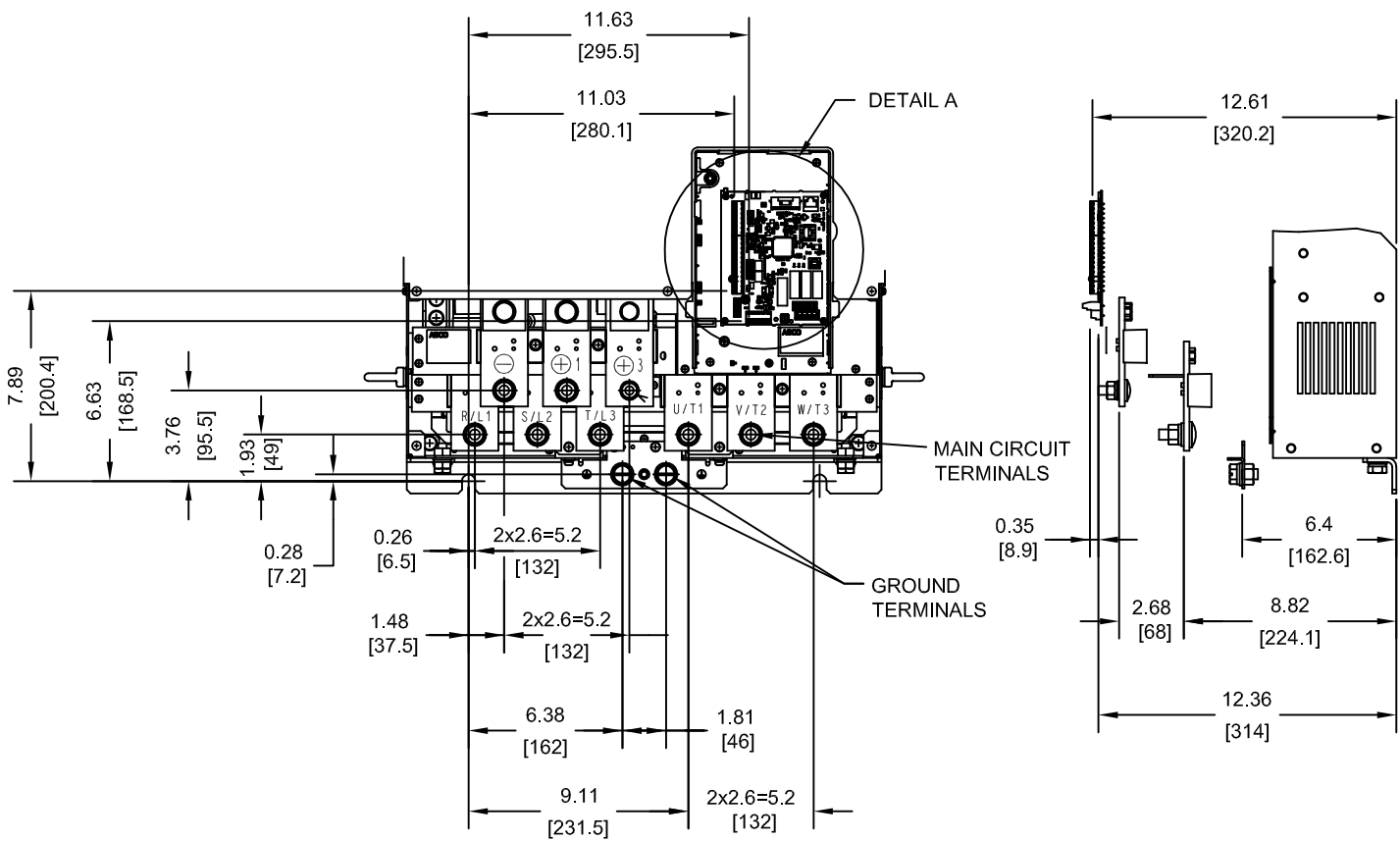
NOTE:  
XX DENOTES AA-ZZ

INT=INTERNAL COMPONENTS  
EXT=EXTERNAL HEATSINK  
TOT=TOTAL

FOR ADDITIONAL DETAILS AND SPECIFICATIONS, CONSULT MANUAL

TOLERANCES / REFERENCES:			DRAWN: J. MATTAS DATE: 7-15-13	TITLE: Z1000 DIMENSION DRAWING FRAME SIZE 8 DESIGNED FOR IP54/TYPE 12 ENCLOSURE 2A0343U, 2A0396U, 4A0361U
UNITS: IN [mm]	SCALE: 1:15		CHECKED: J. PIOTROWSKI DATE: 7-20-13	TECH: J. BORJA DATE: 7-25-13
THIS DOCUMENT AND INFORMATION CONTAINED IN IT ARE CONFIDENTIAL, AND CANNOT BE COPIED OR DISCLOSED IN WHOLE OR IN PART WITHOUT THE EXPRESS WRITTEN CONSENT OF YASKAWA AMERICA, INC.		APPROVED: J. CAIRO DATE: 8-5-13	ORIGINAL DESIGN: - DATE: -	SIZE: A REVISION: R00 PAGE: 1 of 3
			DRAWING #: <b>DD.Z1K.FR8.FLNG</b>	

TERMINAL AND WIRING DETAILS (SCALE 1:8)



TERMINAL AND WIRE SPECIFICATIONS FOR MAIN CIRCUIT AND GROUND

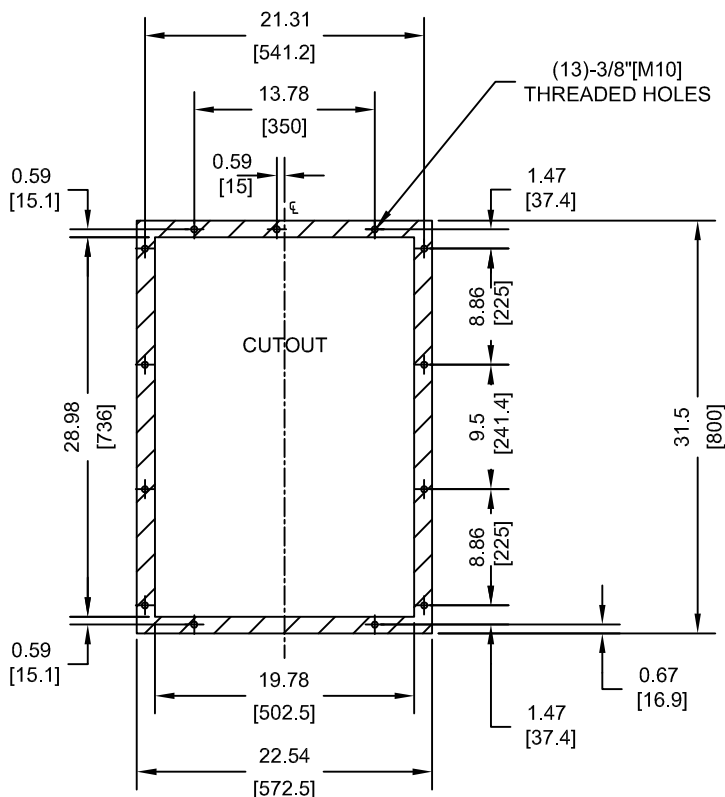
MODEL # CIMR-ZU	TERMINAL SYMBOL	TERMINAL SCREW	CLAMPING TORQUE lb.in.(N.m.)
2A0343 2A0396 4A0361	R/L1, S/L2, T/L3	M12	283.2 TO 354.0 (32 TO 40)
	U/T1, V/T2, W/T3		
	⊖, ⊕1	M10	159.3 TO 203.6 (18 TO 23)
	⊕3	M12	283.2 TO 354.0 (32 TO 40)

NOTE: REFER TO APPLICABLE CODES FOR PROPER WIRE TYPE AND SIZE

FOR ADDITIONAL DETAILS AND SPECIFICATIONS, CONSULT MANUAL

TOLERANCES / REFERENCES:			DRAWN: J. MATTAS	DATE 7-15-13	TITLE: Z1000 DIMENSION DRAWING		
UNITS: IN [mm]	SCALE: BY VIEW		CHECKED: J. PIOTROWSKI	DATE 7-20-13	FRAME SIZE 8		
		THIS DOCUMENT AND INFORMATION CONTAINED IN IT ARE CONFIDENTIAL, AND CANNOT BE COPIED OR DISCLOSED IN WHOLE OR IN PART WITHOUT THE EXPRESS WRITTEN CONSENT OF YASKAWA AMERICA, INC.		TECH: J. BORJA	DATE 7-25-13	DESIGNED FOR IP54/TYPE 12 ENCLOSURE 2A0343U, 2A0396U, 4A0361U	
		APPROVED: J. CAIRO	DATE 8-5-13	SIZE A	REVISION R00	PAGE 2 of 3	
		ORIGINAL DESIGN: -	DATE -	DRAWING #: <b>DD.Z1K.FR8.FLNG</b>			


**PANEL CUTOUT FOR EXTERNAL HEATSINK MOUNTING CONFIGURATION (SCALE 1:15)**



**NOTES:**

1. CUTOUT TOLERANCES:  
+/- 0.02IN (0.5MM)
2. EXPOSED HEATSINK DEPTH  
D=4.99" MINUS PANEL THICKNESS
3. MIN. RECOMMENDED PANEL  
THICKNESS: 10 GA

FOR ADDITIONAL DETAILS AND SPECIFICATIONS, CONSULT MANUAL

TOLERANCES / REFERENCES:		 <b>YASKAWA</b> <small>THIS DOCUMENT AND INFORMATION CONTAINED IN IT ARE CONFIDENTIAL, AND CANNOT BE COPIED OR DISCLOSED IN WHOLE OR IN PART WITHOUT THE EXPRESS WRITTEN CONSENT OF YASKAWA AMERICA, INC.</small>	DRAWN: <b>J. MATTAS</b>	DATE: 7-15-13	TITLE: Z1000 DIMENSION DRAWING FRAME SIZE 8 DESIGNED FOR IP54/TYPE 12 ENCLOSURE 2A0343U, 2A0396U, 4A0361U	
			CHECKED: <b>J. PIOTROWSKI</b>	DATE: 7-20-13		
			TECH: <b>J. BORJA</b>	DATE: 7-25-13		
			APPROVED: <b>J. CAIRO</b>	DATE: 8-5-13		
UNITS: IN [mm]	SCALE: BY VIEW	ORIGINAL DESIGN: -	DATE: -	SIZE: A	REVISION: R00	PAGE: 3 of 3
				DRAWING #: <b>DD.Z1K.FR8.FLNG</b>		