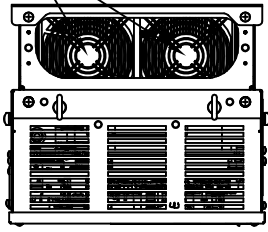
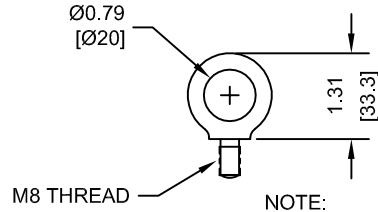


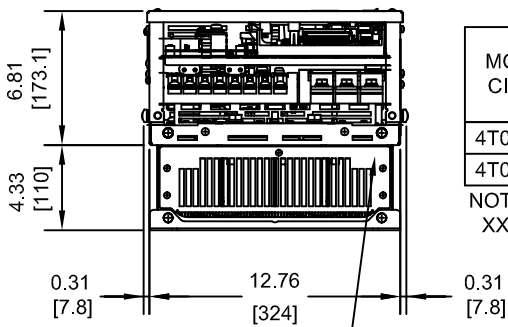
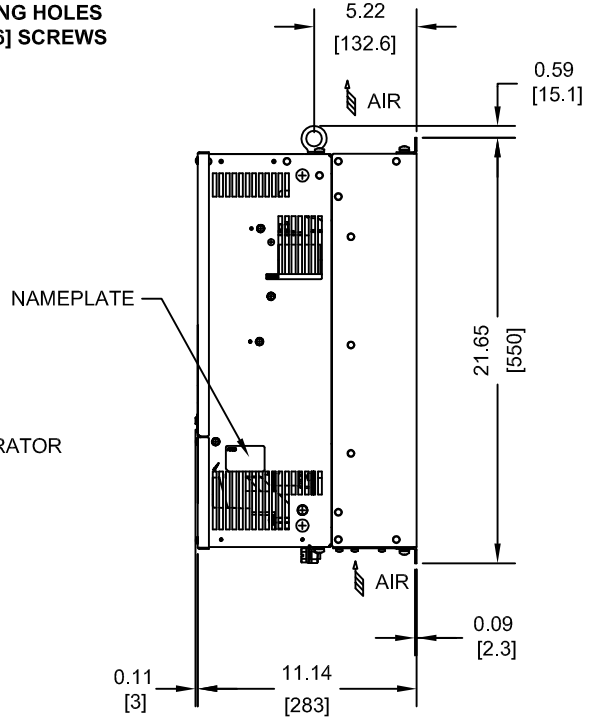
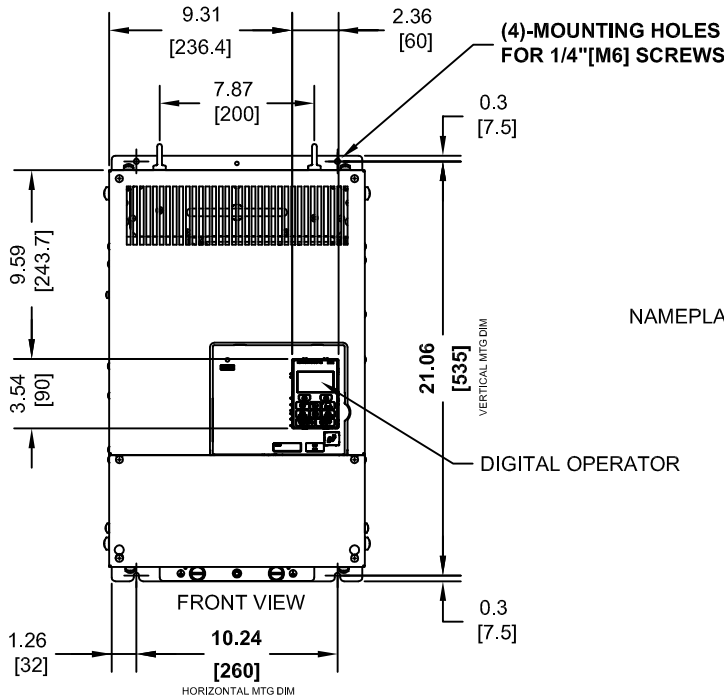
(2) EXTERNAL COOLING FANS



LIFTING AND EYEBOLT DETAILS



NOTE:
SPREADER BAR REQUIRED TO AVOID DAMAGE DURING LIFTING



MODEL #	INPUT TYPE	VOLTAGE 3-PHASE (VAC)	OUTPUT CURRENT (A)	WEIGHT LBS (Kg)	HEAT LOSS (W) (Fc=2kHz)		
					INT	EXT	TOT
4T0139AXX	12 PULSE	380/480	139	83.0 (38)	487	1179	1666
4T0165AXX			165	85.5 (39)	624	1520	2144

NOTE:
XX DENOTES AA-ZZ

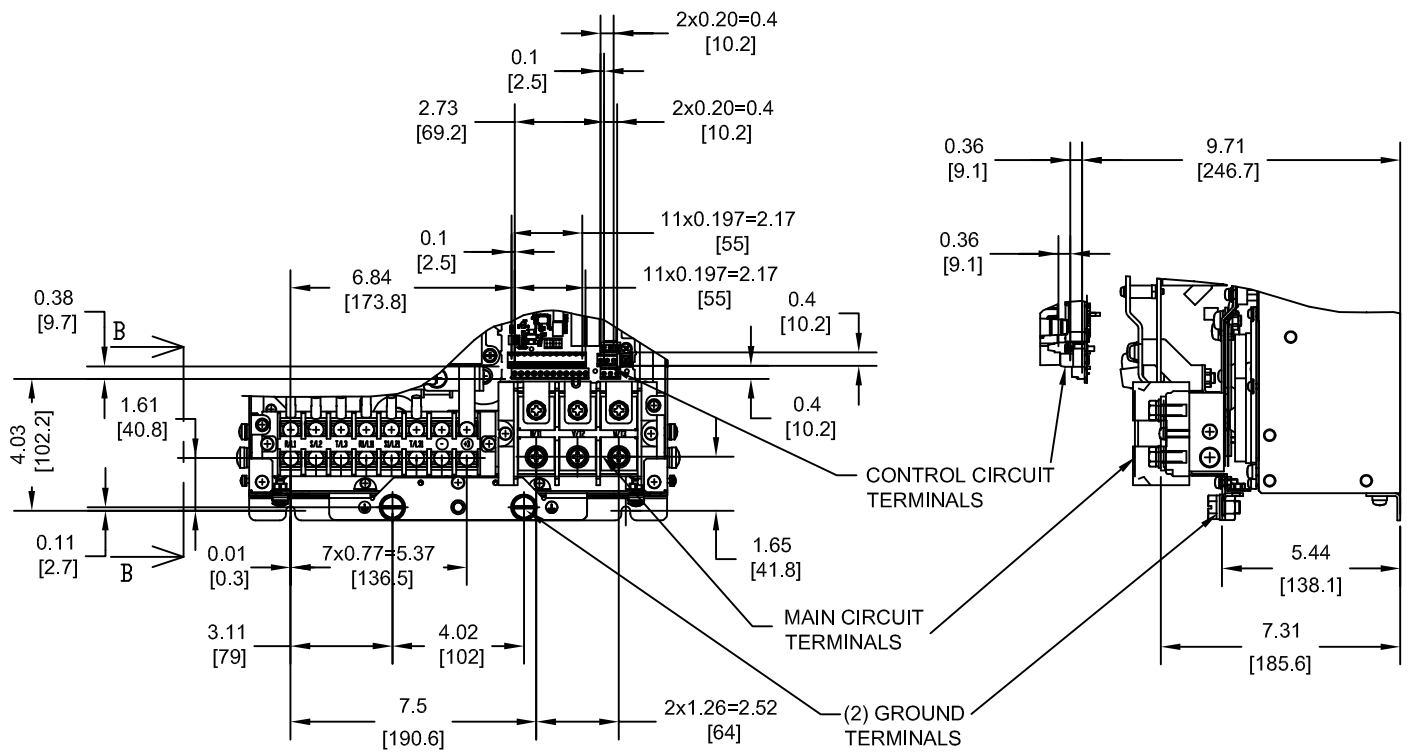
INT=INTERNAL COMPONENTS
EXT=EXTERNAL HEATSINK
TOT=TOTAL

WHEN USING AN EXTERNAL MOUNT HEATSINK, UL COMPLIANCE REQUIRES COVERING EXPOSED CAPACITORS IN THE MAIN CIRCUIT TO PREVENT INJURY. CONSULT MANUAL FOR DETAILS.

FOR ADDITIONAL DETAILS AND SPECIFICATIONS, CONSULT MANUAL

TOLERANCES / REFERENCES:			DRAWN: J. MATTAS DATE: 6-4-14	TITLE: Z1000 12 PULSE DIMENSION DRAWING FRAME SIZE 10
			CHECKED: J. PIOTROWSKI DATE: 6-16-14	IP00 ENCLOSURE 4T0139A & 4T0165A
		THIS DOCUMENT AND INFORMATION CONTAINED IN IT ARE CONFIDENTIAL, AND CANNOT BE COPIED OR DISCLOSED IN WHOLE OR IN PART WITHOUT THE EXPRESS WRITTEN CONSENT OF YASKAWA AMERICA, INC.	TECH: J. BORJA DATE: 6-19-14	SIZE: A REVISION: R02 PAGE: 1 of 3
UNITS: IN[mm]	SCALE: 1:10	APPROVED: J. CAIRO DATE: 7-7-14	ORIGINAL DESIGN: -	DRAWING #: DD.Z1K12.FR10.IP00

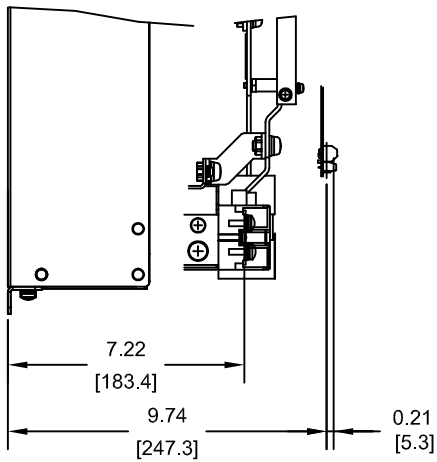
TERMINAL AND WIRING DETAILS (SCALE 1:6)



TERMINAL AND WIRE SPECIFICATIONS FOR MAIN CIRCUIT AND GROUND

MODEL # CIMR-ZU	TERMINAL SYMBOL	TERMINAL SCREW	CLAMPING TORQUE lb.in.(N.m.)	WIRE RANGE AWG(řm)
4T0139A 4T0165A	R/L1, S/L2, T/L3	M6	22.1 TO 26.6 (2.5 TO 3.0)	22-1/0 (0.3-53.5)
	R1/L11, S1/L21, T1/L31			
	⊙, ⊕3	M8	132.8 (15.0)	6-250kcmil (13.3-127)
	⊕	M10	159.3 TO 203.6 (18 TO 23)	SEE NOTE

NOTE: REFER TO APPLICABLE CODES FOR PROPER WIRE TYPE AND SIZE

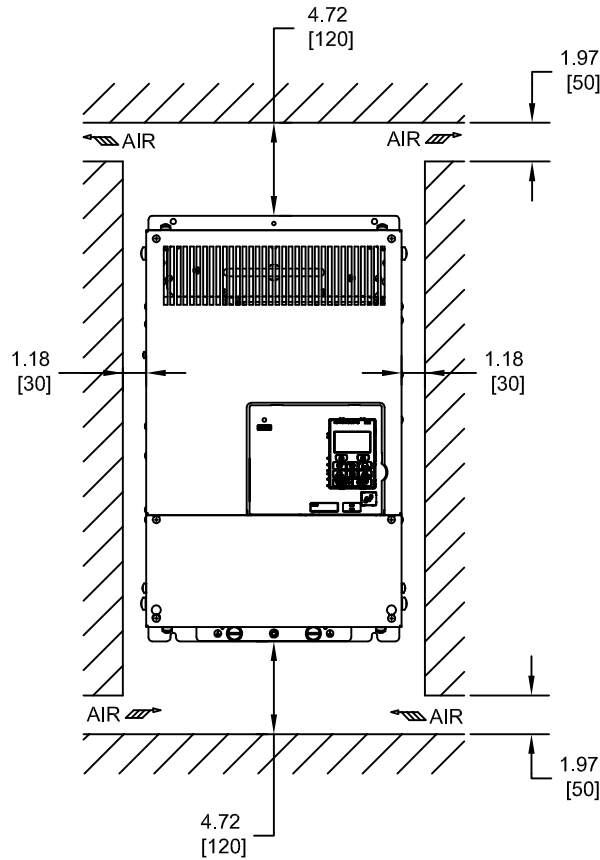


SECTION B-B

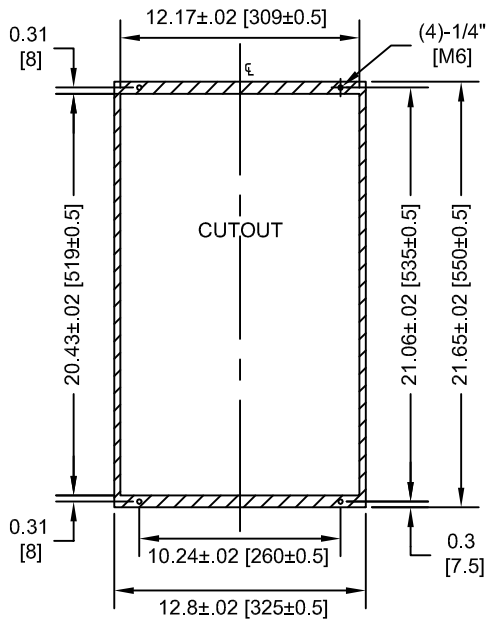
FOR ADDITIONAL DETAILS AND SPECIFICATIONS, CONSULT MANUAL

TOLERANCES / REFERENCES:			DRAWN: J. MATTAS DATE: 6-4-14	TITLE: Z1000 12 PULSE DIMENSION DRAWING FRAME SIZE 10 IP00 ENCLOSURE 4T0139A & 4T0165A
UNITS: IN[mm]	SCALE: BY VIEW		CHECKED: J. PIOTROWSKI DATE: 6-16-14	TECH: J. BORJA DATE: 6-19-14
THIS DOCUMENT AND INFORMATION CONTAINED IN IT ARE CONFIDENTIAL, AND CANNOT BE COPIED OR DISCLOSED IN WHOLE OR IN PART WITHOUT THE EXPRESS WRITTEN CONSENT OF YASKAWA AMERICA, INC.		APPROVED: J. CAIRO DATE: 7-7-14	ORIGINAL DESIGN: -	SIZE: A REVISION: R02 PAGE: 2 of 3
		DRAWING #:		DD.Z1K12.FR10.IP00

MINIMUM INSTALLATION CLEARANCES (SCALE 1:10)



PANEL CUTOUT FOR EXTERNAL HEATSINK MOUNTING CONFIGURATION (SCALE 1:10)



NOTE:
EXPOSED HEATSINK DEPTH
D=4.33" MINUS PANEL THICKNESS

FOR ADDITIONAL DETAILS AND SPECIFICATIONS, CONSULT MANUAL

TOLERANCES / REFERENCES:		<p>THIS DOCUMENT AND INFORMATION CONTAINED IN IT ARE CONFIDENTIAL, AND CANNOT BE COPIED OR DISCLOSED IN WHOLE OR IN PART WITHOUT THE EXPRESS WRITTEN CONSENT OF YASKAWA AMERICA, INC.</p>	DRAWN: J. MATTAS CHECKED: J. PIOTROWSKI TECH: J. BORJA APPROVED: J. CAIRO ORIGINAL DESIGN: -	DATE 6-4-14 DATE 6-16-14 DATE 6-19-14 DATE 7-7-14 DATE -	TITLE: Z1000 12 PULSE DIMENSION DRAWING FRAME SIZE 10 IP00 ENCLOSURE 4T0139A & 4T0165A
UNITS: IN[mm]	SCALE: BY VIEW		SIZE A	REVISION R02	PAGE 3 of 3
			DRAWING #:		
			DD.Z1K12.FR10.IP00		