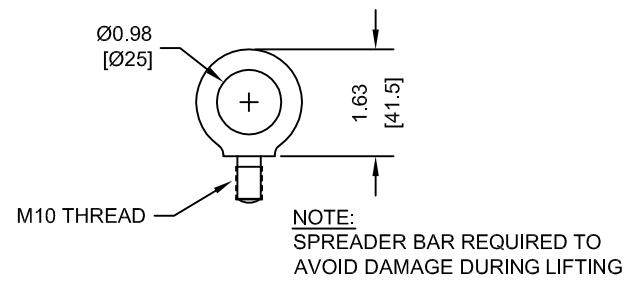


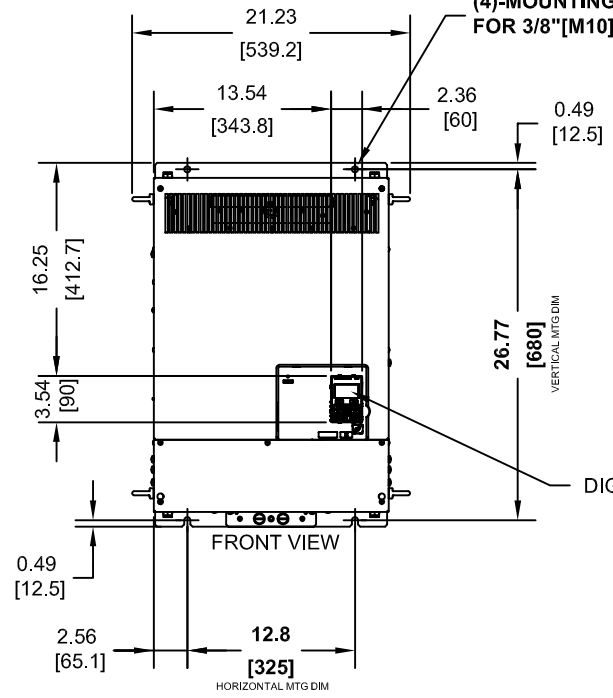
(2) EXTERNAL COOLING FANS



LIFTING AND EYEBOLT DETAILS

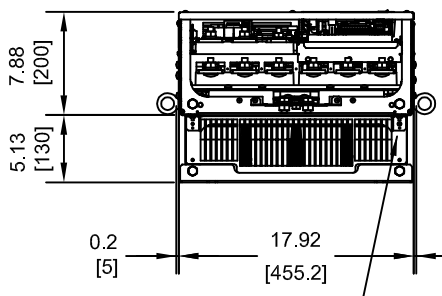
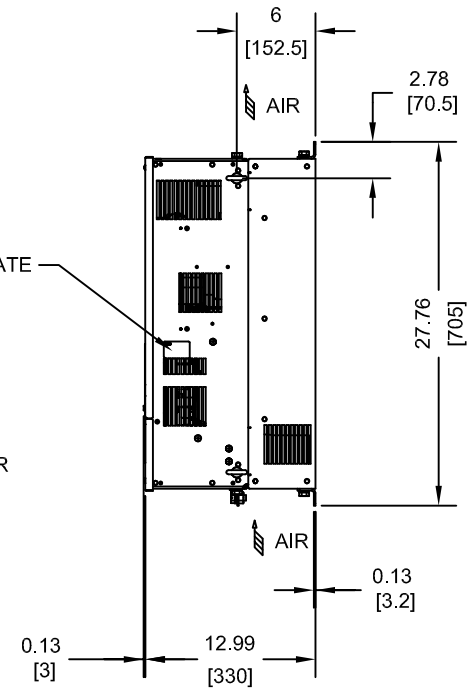


(4)-MOUNTING HOLES FOR 3/8" [M10] SCREWS



NAMEPLATE

DIGITAL OPERATOR



OPTIONAL CAPACITOR COVER  
WHEN USING AN EXTERNAL MOUNT HEATSINK, UL COMPLIANCE REQUIRES COVERING EXPOSED CAPACITORS IN THE MAIN CIRCUIT TO PREVENT INJURY. CONSULT MANUAL FOR DETAILS.

MODEL #	INPUT TYPE	VOLTAGE 3-PHASE (VAC)	OUTPUT CURRENT (A)	WEIGHT LBS (Kg)	HEAT LOSS (W) (Fc=2kHz)		
					INT	EXT	TOT
4T0208AXX	12 PULSE	380/480	208	166 (75)	553	1746	2299

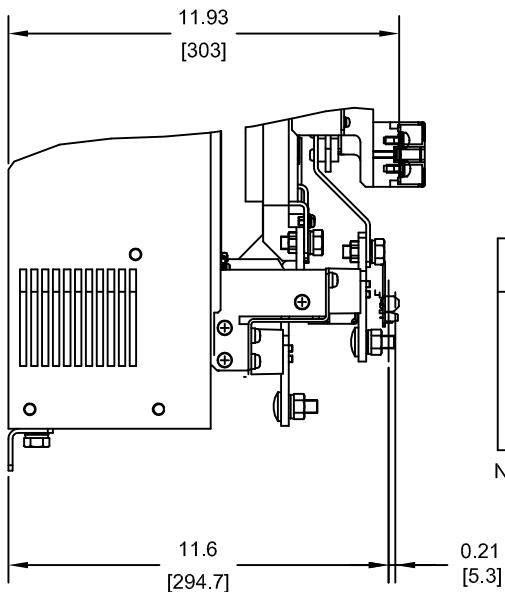
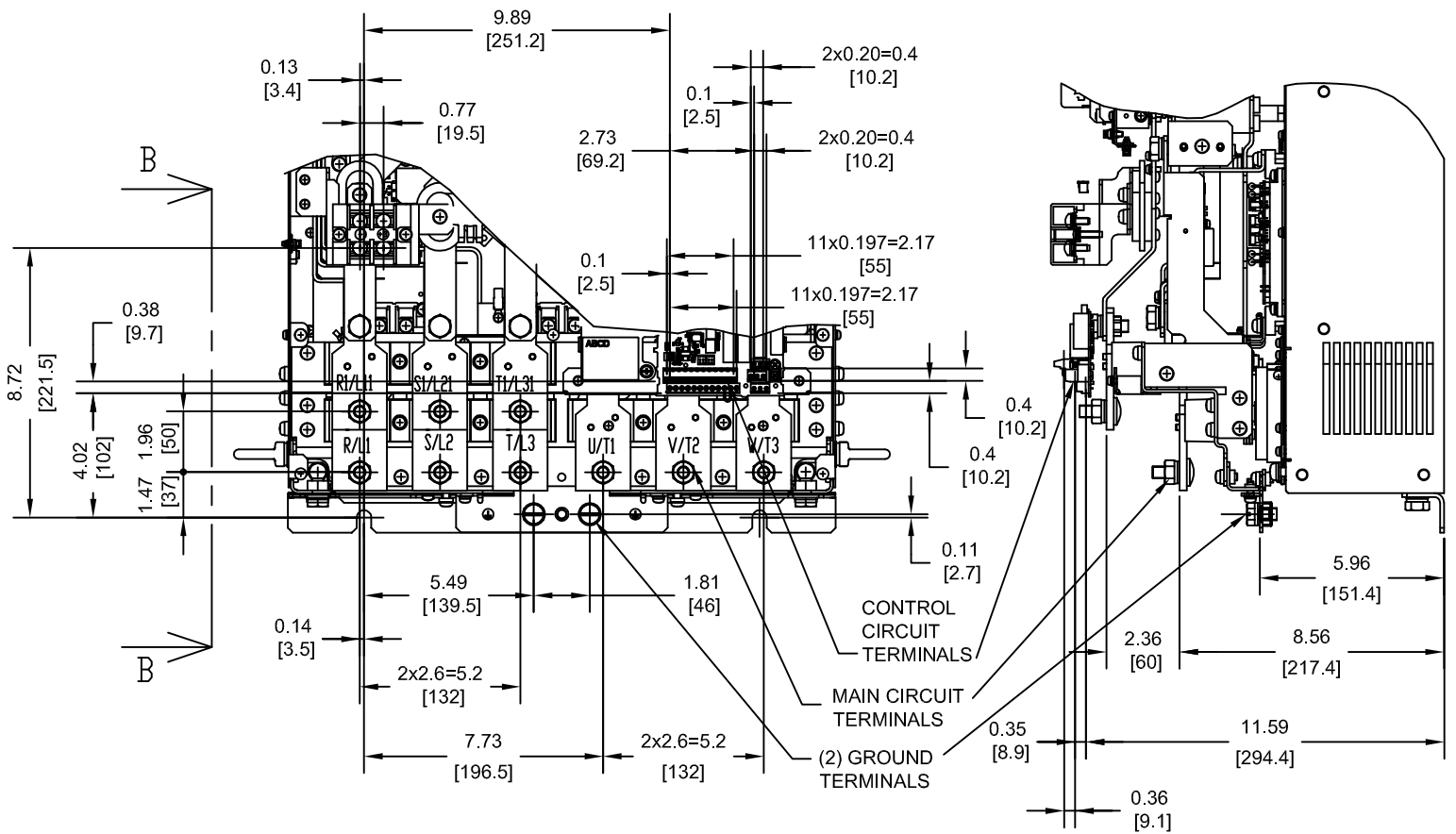
NOTE:  
XX DENOTES AA-ZZ

INT=INTERNAL COMPONENTS  
EXT=EXTERNAL HEATSINK  
TOT=TOTAL

FOR ADDITIONAL DETAILS AND SPECIFICATIONS, CONSULT MANUAL

TOLERANCES / REFERENCES:		<p>THIS DOCUMENT AND INFORMATION CONTAINED IN IT ARE CONFIDENTIAL, AND CANNOT BE COPIED OR DISCLOSED IN WHOLE OR IN PART WITHOUT THE EXPRESS WRITTEN CONSENT OF YASKAWA AMERICA, INC.</p>	DRAWN: J. MATTAS	DATE 6-5-14	TITLE: Z1000 12 PULSE DIMENSION DRAWING FRAME SIZE 11 IP00 ENCLOSURE 4T0208A	
UNITS: IN[mm]			SCALE: 1:15	CHECKED: J. PIOTROWSKI		DATE 6-16-14
			TECH: J. BORJA	DATE 6-19-14		SIZE A
			APPROVED: J. CAIRO	DATE 7-7-14		REVISION R02
			ORIGINAL DESIGN: -	DATE -	PAGE 1 of 3	
					DRAWING #: <b>DD.Z1K12.FR11.IP00</b>	

TERMINAL AND WIRING DETAILS (SCALE 1:6)



SECTION B-B

TERMINAL AND WIRE SPECIFICATIONS FOR MAIN CIRCUIT AND GROUND

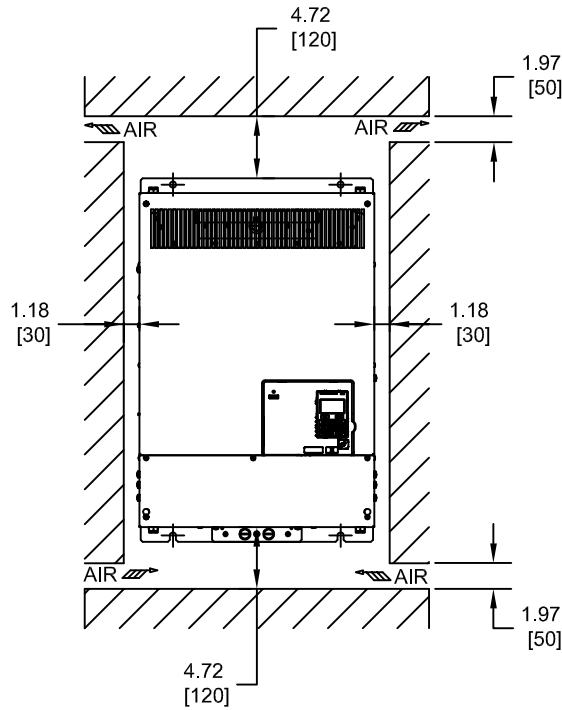
MODEL #	TERMINAL SYMBOL	TERMINAL SCREW	CLAMPING TORQUE lb.in.(N.m.)	WIRE RANGE AWG(mm <sup>2</sup> )
4T0208A	R/L1, S/L2, T/L3	M10	159.3 TO 203.6 (18 TO 23)	SEE NOTE
	R1/L11, S1/L21, T1/L31			
	U/T1, V/T2, W/T3			
	⊖, ⊕3	M6	22.1 TO 26.6 (2.5 TO 3.0)	22-1/0 (0.3-53.5)
	⊕	M10	159.3 TO 203.6 (18 TO 23)	SEE NOTE

NOTE: REFER TO APPLICABLE CODES FOR PROPER WIRE TYPE AND SIZE

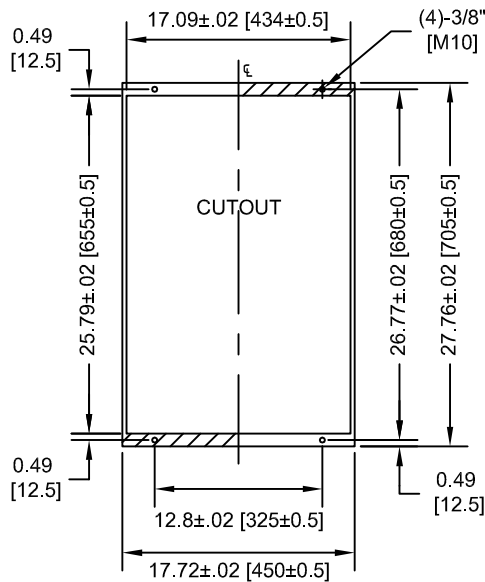
FOR ADDITIONAL DETAILS AND SPECIFICATIONS, CONSULT MANUAL

TOLERANCES / REFERENCES:			DRAWN: J. MATTAS DATE: 6-5-14	TITLE: Z1000 12 PULSE DIMENSION DRAWING FRAME SIZE 11 IP00 ENCLOSURE 4T0208A
UNITS: IN[mm]	SCALE: BY VIEW		CHECKED: J. PIOTROWSKI DATE: 6-16-14	TECH: J. BORJA DATE: 6-19-14
THIS DOCUMENT AND INFORMATION CONTAINED IN IT ARE CONFIDENTIAL, AND CANNOT BE COPIED OR DISCLOSED IN WHOLE OR IN PART WITHOUT THE EXPRESS WRITTEN CONSENT OF YASKAWA AMERICA, INC.		APPROVED: J. CAIRO DATE: 7-7-14	DATE: 7-7-14	SIZE: A REVISION: R02 PAGE: 2 of 3
		ORIGINAL DESIGN: -	DATE: -	DRAWING #: <b>DD.Z1K12.FR11.IP00</b>

MINIMUM INSTALLATION CLEARANCES (SCALE 1:15)



PANEL CUTOUT FOR EXTERNAL HEATSINK MOUNTING CONFIGURATION (SCALE 1:15)



NOTE:  
EXPOSED HEATSINK DEPTH  
D=5.12" MINUS PANEL THICKNESS

FOR ADDITIONAL DETAILS AND SPECIFICATIONS, CONSULT MANUAL

TOLERANCES / REFERENCES:		<p><b>YASKAWA</b></p> <p>THIS DOCUMENT AND INFORMATION CONTAINED IN IT ARE CONFIDENTIAL, AND CANNOT BE COPIED OR DISCLOSED IN WHOLE OR IN PART WITHOUT THE EXPRESS WRITTEN CONSENT OF YASKAWA AMERICA, INC.</p>	DRAWN: J. MATTAS CHECKED: J. PIOTROWSKI TECH: J. BORJA APPROVED: J. CAIRO ORIGINAL DESIGN: -	DATE 6-5-14 DATE 6-16-14 DATE 6-19-14 DATE 7-7-14 DATE -	TITLE: Z1000 12 PULSE DIMENSION DRAWING FRAME SIZE 11 IP00 ENCLOSURE 4T0208A
UNITS: IN[mm]	SCALE: BY VIEW		SIZE A	REVISION R02	PAGE 3 of 3
			DRAWING #:		
			<b>DD.Z1K12.FR11.IP00</b>		