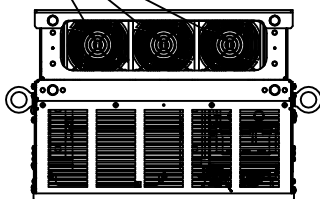
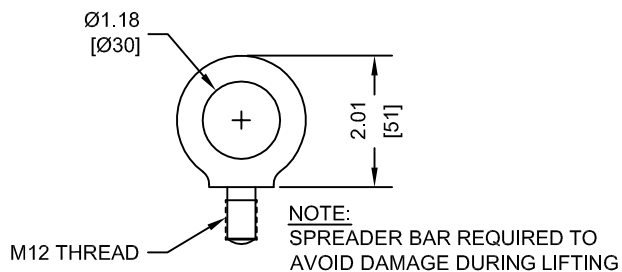


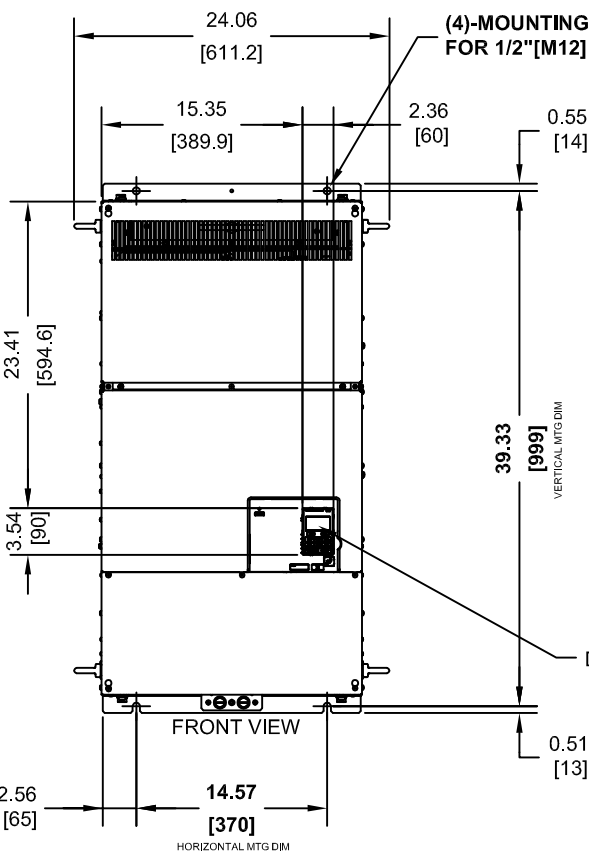
(3) EXTERNAL COOLING FANS



LIFTING AND EYEBOLT DETAILS

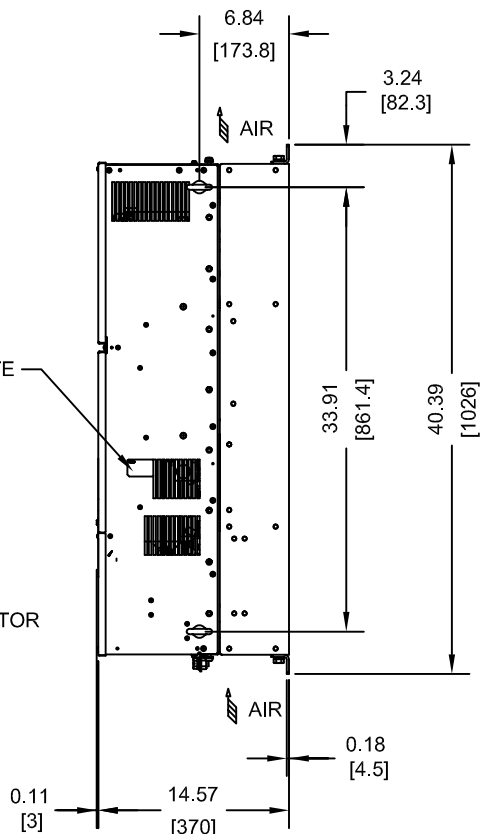


(4)-MOUNTING HOLES FOR 1/2" [M12] SCREWS

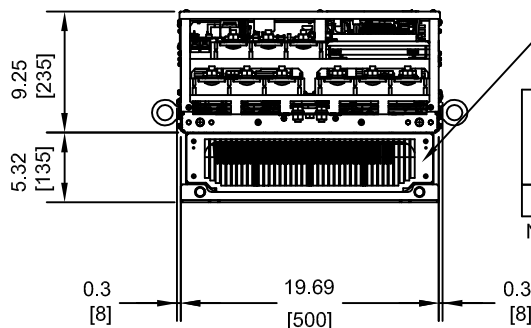


NAMEPLATE

DIGITAL OPERATOR



OPTIONAL CAPACITOR COVER  
WHEN USING AN EXTERNAL MOUNT HEATSINK, UL COMPLIANCE REQUIRES COVERING EXPOSED CAPACITORS IN THE MAIN CIRCUIT TO PREVENT INJURY. CONSULT MANUAL FOR DETAILS.



MODEL #	INPUT TYPE	VOLTAGE 3-PHASE (VAC)	OUTPUT CURRENT (A)	WEIGHT LBS (Kg)	HEAT LOSS (W) (Fc=2kHz)		
					INT	EXT	TOT
4T0414AXX	12 PULSE	380/480	414	268 (122)	1083	3443	4526

NOTE:  
XX DENOTES AA-ZZ

INT=INTERNAL COMPONENTS  
EXT=EXTERNAL HEATSINK  
TOT=TOTAL

FOR ADDITIONAL DETAILS AND SPECIFICATIONS, CONSULT MANUAL

TOLERANCES / REFERENCES:



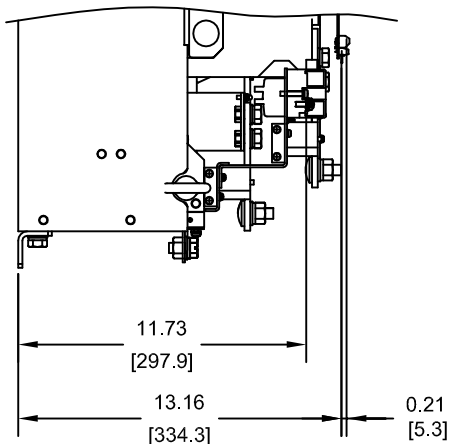
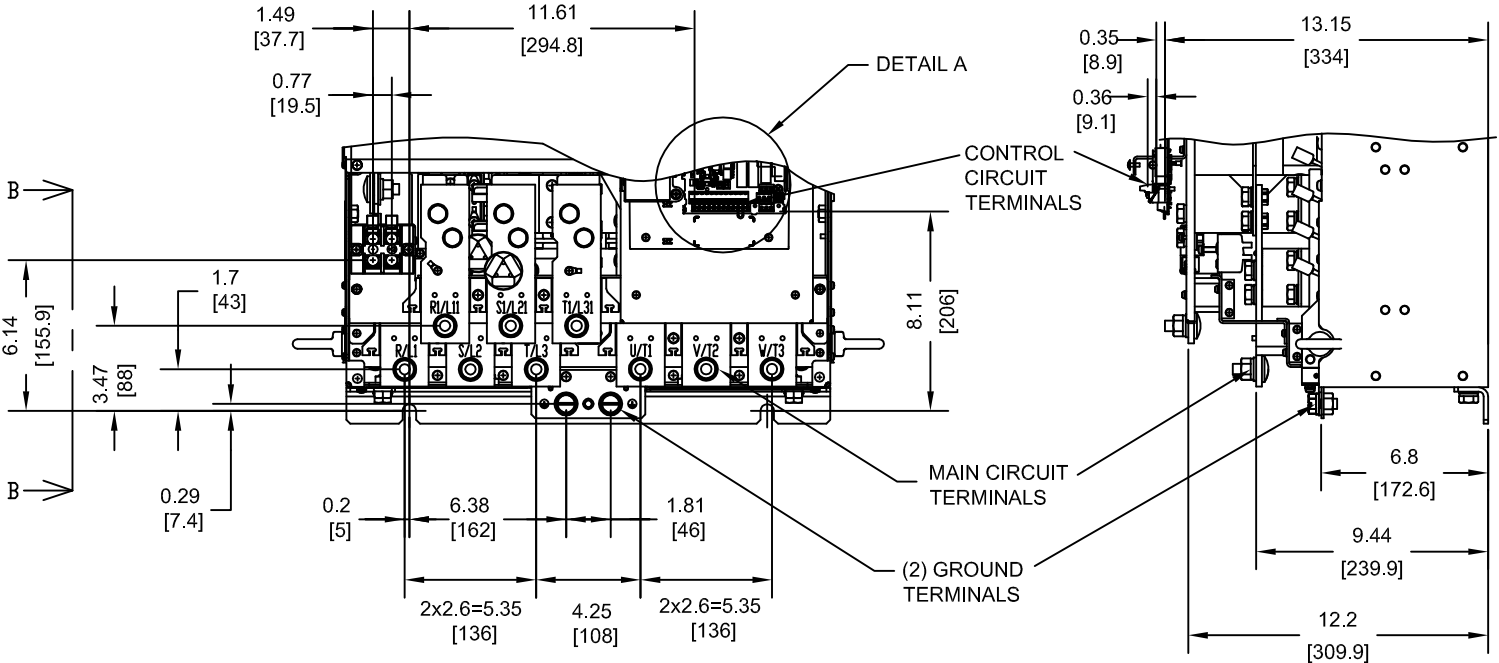
THIS DOCUMENT AND INFORMATION CONTAINED IN IT ARE CONFIDENTIAL, AND CANNOT BE COPIED OR DISCLOSED IN WHOLE OR IN PART WITHOUT THE EXPRESS WRITTEN CONSENT OF YASKAWA AMERICA, INC.

DRAWN: J. MATTAS	DATE 6-5-14
CHECKED: J. PIOTROWSKI	DATE 6-16-14
TECH: J. BORJA	DATE 6-19-14
APPROVED: J. CAIRO	DATE 7-7-14
ORIGINAL DESIGN:	DATE -

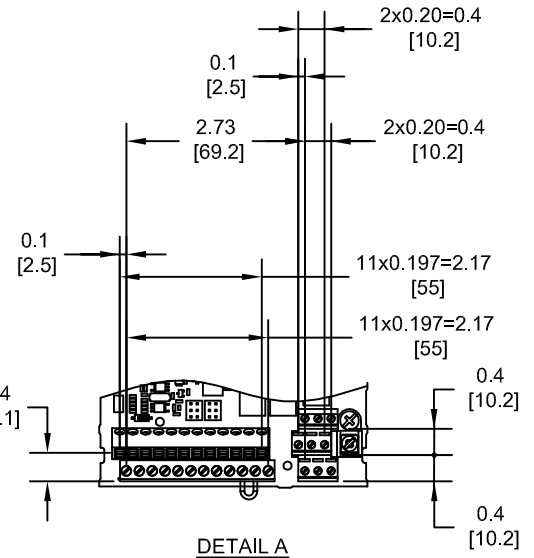
TITLE: Z1000 12 PULSE DIMENSION DRAWING FRAME SIZE 13 IP00 ENCLOSURE 4T0414A		
SIZE A	REVISION R02	PAGE 1 of 3
DRAWING #: <b>DD.Z1K12.FR13.IP00</b>		

UNITS: IN[mm] SCALE: 1:15

TERMINAL AND WIRING DETAILS (SCALE 1:8)



SECTION B-B



DETAIL A

TERMINAL AND WIRE SPECIFICATIONS FOR MAIN CIRCUIT AND GROUND

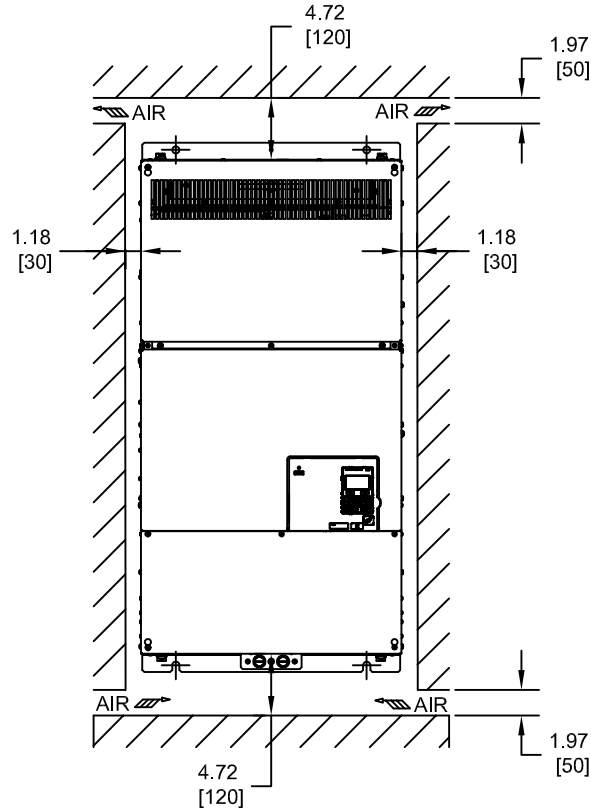
MODEL #	TERMINAL SYMBOL	TERMINAL SCREW	CLAMPING TORQUE lb.in.(N.m.)	WIRE RANGE AWG(mm)
4T0414A	R/L1, S/L2, T/L3	M12	283.2 TO 354.0 (32 TO 40)	SEE NOTE
	R1/L11, S1/L21, T1/L31			
	U/T1, V/T2, W/T3	M6	22.1 TO 26.6 (2.5 TO 3.0)	22-1/0 (0.3-53.5)
	⊖, ⊕3	M12	283.2 TO 354.0 (32 TO 40)	SEE NOTE

NOTE: REFER TO APPLICABLE CODES FOR PROPER WIRE TYPE AND SIZE

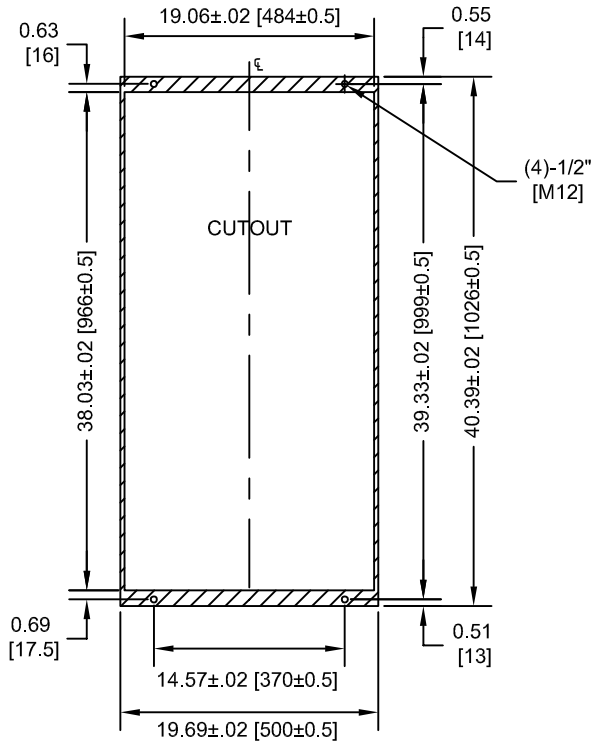
FOR ADDITIONAL DETAILS AND SPECIFICATIONS, CONSULT MANUAL

TOLERANCES / REFERENCES:			DRAWN: J. MATTAS CHECKED: J. PIOTROWSKI TECH: J. BORJA APPROVED: J. CAIRO ORIGINAL DESIGN: -	DATE: 6-5-14 DATE: 6-16-14 DATE: 6-19-14 DATE: 7-7-14 DATE: -	TITLE: Z1000 12 PULSE DIMENSION DRAWING FRAME SIZE 13 IP00 ENCLOSURE 4T0414A
UNITS: IN[mm]	SCALE: BY VIEW		THIS DOCUMENT AND INFORMATION CONTAINED IN IT ARE CONFIDENTIAL, AND CANNOT BE COPIED OR DISCLOSED IN WHOLE OR IN PART WITHOUT THE EXPRESS WRITTEN CONSENT OF YASKAWA AMERICA, INC.	SIZE: A REVISION: R02 DRAWING #: DD.Z1K12.FR13.IP00	PAGE: 2 of 3

MINIMUM INSTALLATION CLEARANCES (SCALE 1:15)



PANEL CUTOUT FOR EXTERNAL HEATSINK MOUNTING CONFIGURATION (SCALE 1:15)



NOTE:  
EXPOSED HEATSINK DEPTH  
D=5.32" MINUS PANEL THICKNESS

FOR ADDITIONAL DETAILS AND SPECIFICATIONS, CONSULT MANUAL

TOLERANCES / REFERENCES:			DRAWN: J. MATTAS	DATE: 6-5-14	TITLE: Z1000 12 PULSE DIMENSION DRAWING		
			CHECKED: J. PIOTROWSKI	DATE: 6-16-14	FRAME SIZE 13 IP00 ENCLOSURE		
		THIS DOCUMENT AND INFORMATION CONTAINED IN IT ARE CONFIDENTIAL, AND CANNOT BE COPIED OR DISCLOSED IN WHOLE OR IN PART WITHOUT THE EXPRESS WRITTEN CONSENT OF YASKAWA AMERICA, INC.	TECH: J. BORJA	DATE: 6-19-14	4T0414A		
			APPROVED: J. CAIRO	DATE: 7-7-14	SIZE: A	REVISION: R02	PAGE: 3 of 3
UNITS: IN[mm]	SCALE: BY VIEW		ORIGINAL DESIGN: -	DATE: -	DRAWING #: DD.Z1K12.FR13.IP00		