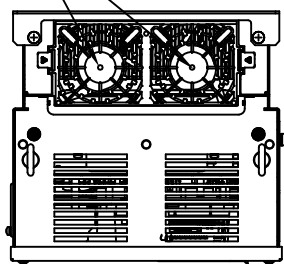
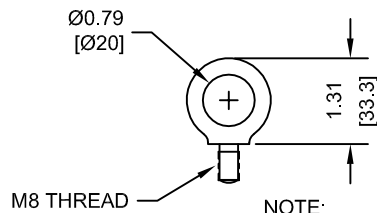


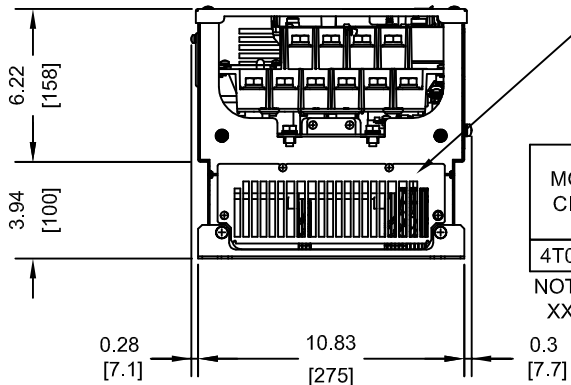
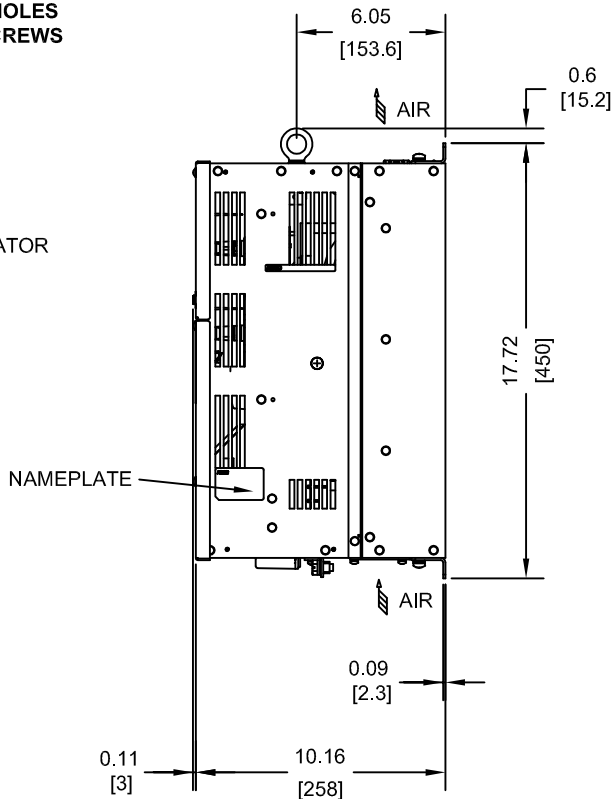
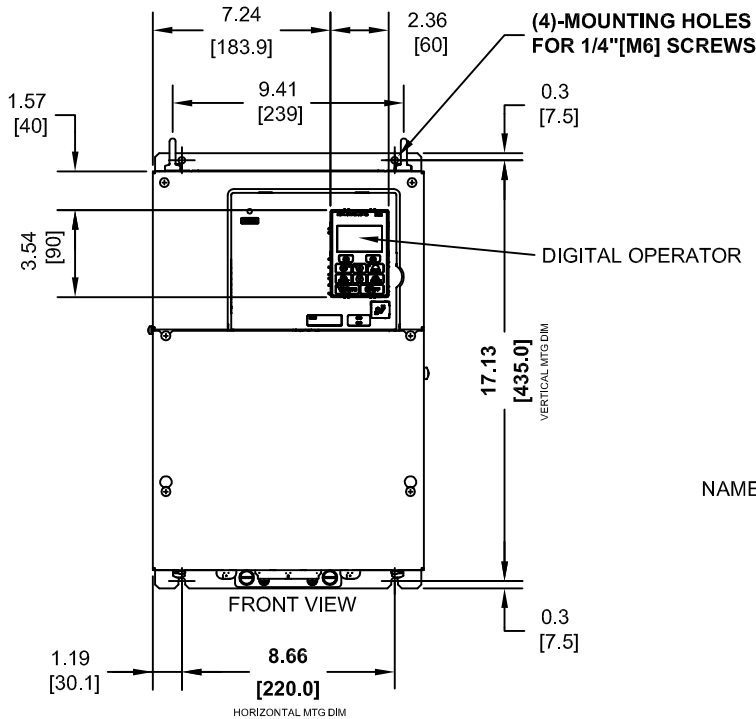
(2) EXTERNAL COOLING FANS



LIFTING AND EYEBOLT DETAILS



NOTE:
SPREADER BAR REQUIRED TO AVOID DAMAGE DURING LIFTING



OPTIONAL CAPACITOR COVER
WHEN USING AN EXTERNAL MOUNT HEATSINK, UL COMPLIANCE REQUIRES COVERING EXPOSED CAPACITORS IN THE MAIN CIRCUIT TO PREVENT INJURY. CONSULT MANUAL FOR DETAILS.

MODEL # CIMR-ZU	INPUT TYPE	VOLTAGE 3-PHASE (VAC)	OUTPUT CURRENT (A)	WEIGHT LBS (Kg)	HEAT LOSS (W) (Fc=2kHz)		
					INT	EXT	TOT
4T0072AXX	12 PULSE	380/480	72.0	50.5 (23)	244	588	832

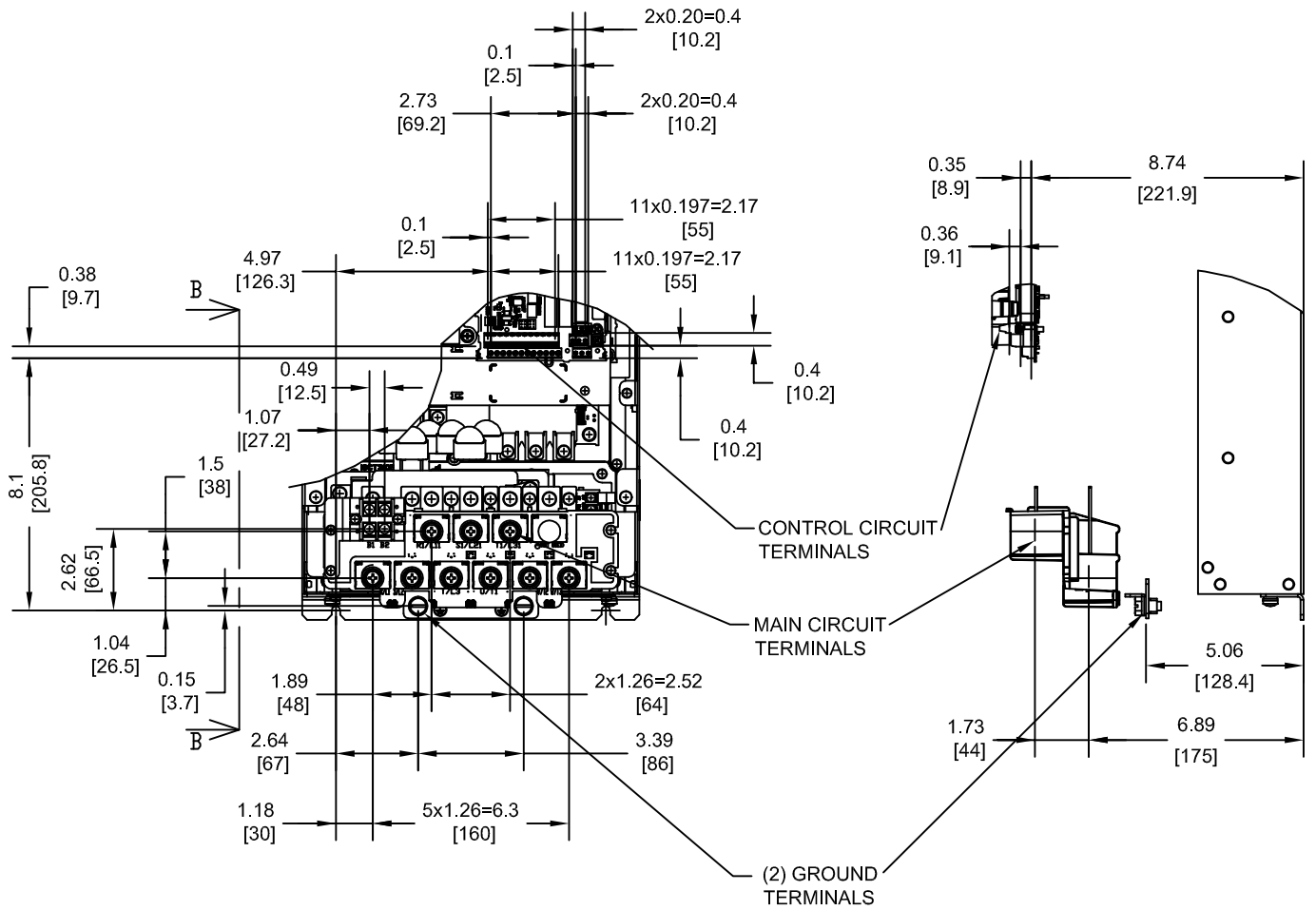
NOTE:
XX DENOTES AA-ZZ

INT=INTERNAL COMPONENTS
EXT=EXTERNAL HEATSINK
TOT=TOTAL

FOR ADDITIONAL DETAILS AND SPECIFICATIONS, CONSULT MANUAL

TOLERANCES / REFERENCES:			DRAWN: J. MATTAS DATE: 6-3-14	TITLE: Z1000 12 PULSE DIMENSION DRAWING FRAME SIZE 8 IP00 ENCLOSURE 4T0072A
UNITS: IN[mm]	SCALE: 1:8		CHECKED: J. PIOTROWSKI DATE: 6-16-14	REVISION R02
THIS DOCUMENT AND INFORMATION CONTAINED IN IT ARE CONFIDENTIAL, AND CANNOT BE COPIED OR DISCLOSED IN WHOLE OR IN PART WITHOUT THE EXPRESS WRITTEN CONSENT OF YASKAWA AMERICA, INC.		TECH: J. BORJA DATE: 6-19-14	DATE: 7-7-14	DRAWING #: DD.Z1K12.FR8.IP00
		APPROVED: J. CAIRO	DATE: -	

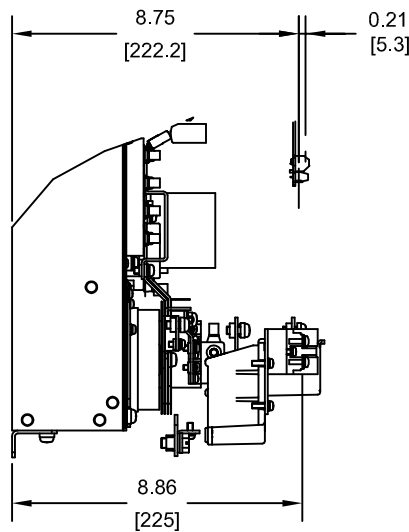
TERMINAL AND WIRING DETAILS (SCALE 1:6)



TERMINAL AND WIRE SPECIFICATIONS FOR MAIN CIRCUIT AND GROUND

MODEL # CIMR-ZU	TERMINAL SYMBOL	TERMINAL SCREW	CLAMPING TORQUE lb.in.(N.m.)	WIRE RANGE AWG(mm ²)
4T0072A	R/L1, S/L2, T/L3	M8	79.7 TO 97.4 (9 TO 11)	10-3/0 (5.3-85.0)
	R1/L11, S1/L21, T1/L31			
	U/T1, V/T2, W/T3	M4	10.6 (1.2)	22-10 (0.3-5.3)
	⊕	M8	79.7 TO 97.4 (9 TO 11)	SEE NOTE

NOTE: REFER TO APPLICABLE CODES FOR PROPER WIRE TYPE AND SIZE

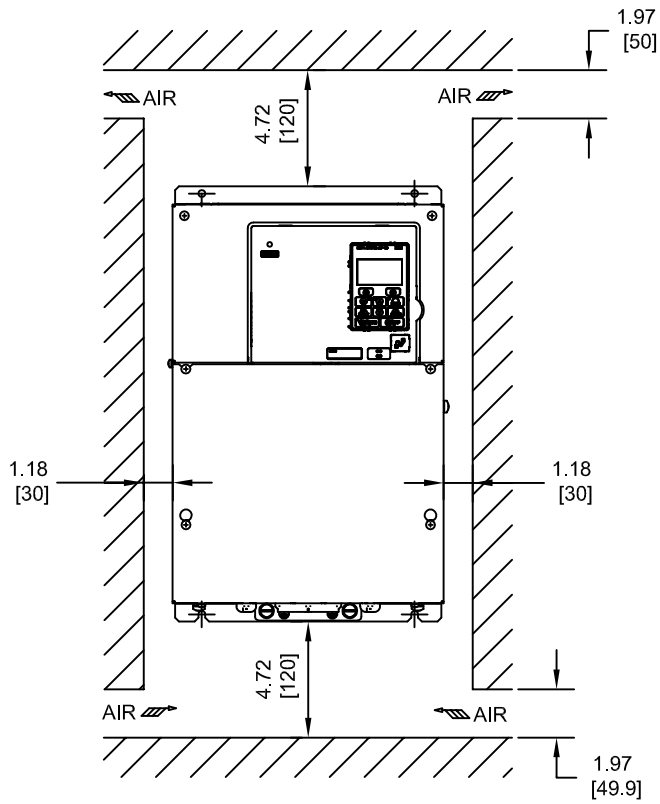


SECTION B-B

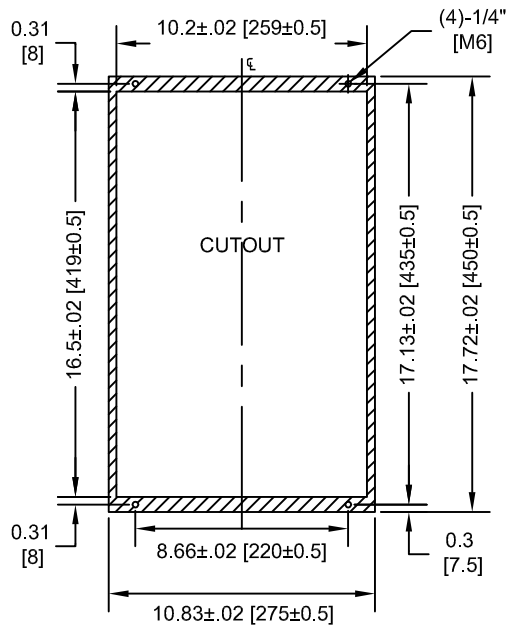
FOR ADDITIONAL DETAILS AND SPECIFICATIONS, CONSULT MANUAL

TOLERANCES / REFERENCES:			DRAWN: J. MATTAS DATE 6-3-14	TITLE: Z1000 12 PULSE DIMENSION DRAWING FRAME SIZE 8 IP00 ENCLOSURE 4T0072A
UNITS: IN[mm]	SCALE: BY VIEW		CHECKED: J. PIOTROWSKI DATE 6-16-14	TECH: J. BORJA DATE 6-19-14
THIS DOCUMENT AND INFORMATION CONTAINED IN IT ARE CONFIDENTIAL, AND CANNOT BE COPIED OR DISCLOSED IN WHOLE OR IN PART WITHOUT THE EXPRESS WRITTEN CONSENT OF YASKAWA AMERICA, INC.		APPROVED: J. CAIRO DATE 7-7-14	DATE 7-7-14	SIZE A
		ORIGINAL DESIGN: -	DATE -	REVISION R02
		DRAWING #: DD.Z1K12.FR8.IP00		
		PAGE 2 of 3		

MINIMUM INSTALLATION CLEARANCES (SCALE 1:8)



PANEL CUTOUT FOR EXTERNAL HEATSINK MOUNTING CONFIGURATION (SCALE 1:8)



NOTE:
EXPOSED HEATSINK DEPTH
D=3.94" MINUS PANEL THICKNESS

FOR ADDITIONAL DETAILS AND SPECIFICATIONS, CONSULT MANUAL

TOLERANCES / REFERENCES:			DRAWN: J. MATTAS	DATE 6-3-14	TITLE: Z1000 12 PULSE DIMENSION DRAWING		
			CHECKED: J. PIOTROWSKI	DATE 6-16-14	FRAME SIZE 8		
		THIS DOCUMENT AND INFORMATION CONTAINED IN IT ARE CONFIDENTIAL, AND CANNOT BE COPIED OR DISCLOSED IN WHOLE OR IN PART WITHOUT THE EXPRESS WRITTEN CONSENT OF YASKAWA AMERICA, INC.			TECH: J. BORJA	DATE 6-19-14	IP00 ENCLOSURE
					APPROVED: J. CAIRO	DATE 7-7-14	4T0072A
UNITS: IN[mm]	SCALE: BY VIEW	ORIGINAL DESIGN: -		DATE -	SIZE A	REVISION R02	PAGE 3 of 3
					DRAWING #: DD.Z1K12.FR8.IP00		