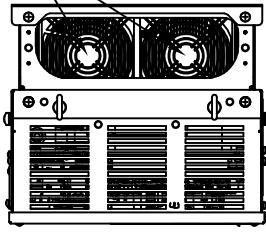
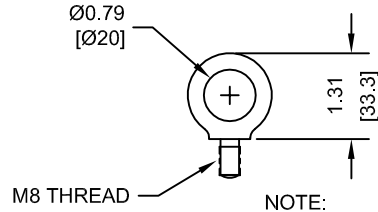


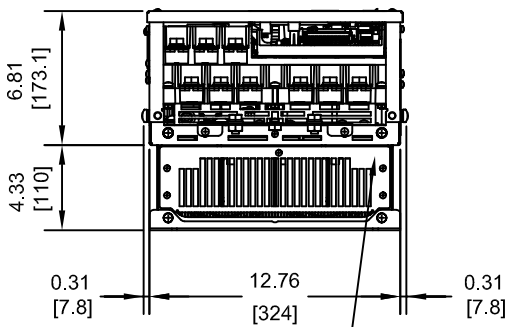
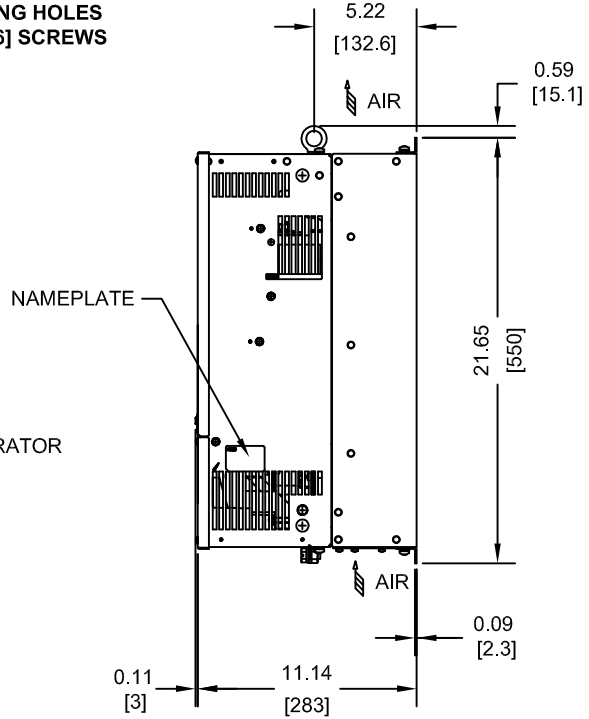
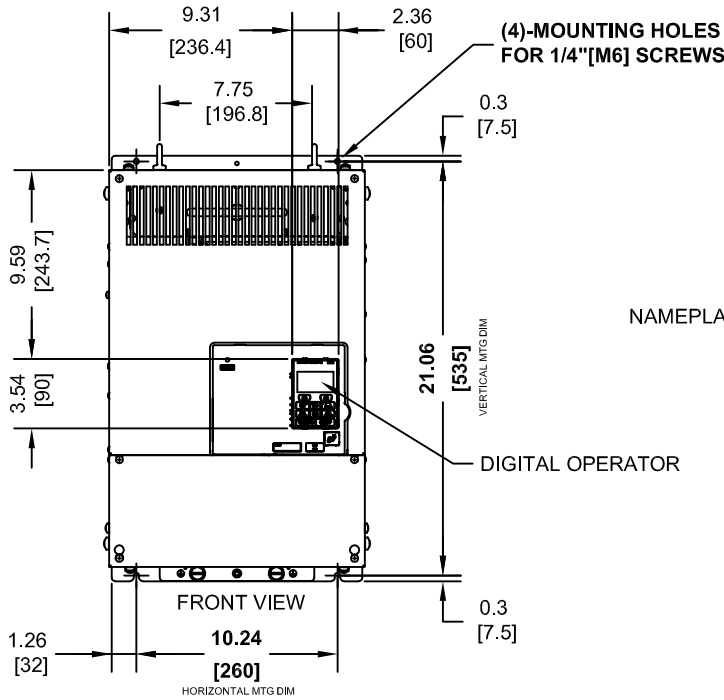
(2) EXTERNAL COOLING FANS



LIFTING AND EYEBOLT DETAILS



NOTE:  
SPREADER BAR REQUIRED TO AVOID DAMAGE DURING LIFTING



OPTIONAL CAPACITOR COVER  
WHEN USING AN EXTERNAL MOUNT HEATSINK, UL COMPLIANCE REQUIRES COVERING EXPOSED CAPACITORS IN THE MAIN CIRCUIT TO PREVENT INJURY. CONSULT MANUAL FOR DETAILS.

MODEL # CIMR-ZU	VOLTAGE THREE-PHASE (VAC)	OUTPUT CURRENT (A)	WEIGHT LBS (Kg)	HEAT LOSS (W) (Fc=2kHz)		
				INT	EXT	TOT
5A0062AXX	500/600	62	90.2 (41)	279	791	1070
5A0077AXX		77	90.2 (41)	329	959	1288
5A0099AXX		99	90.2 (41)	412	1253	1665

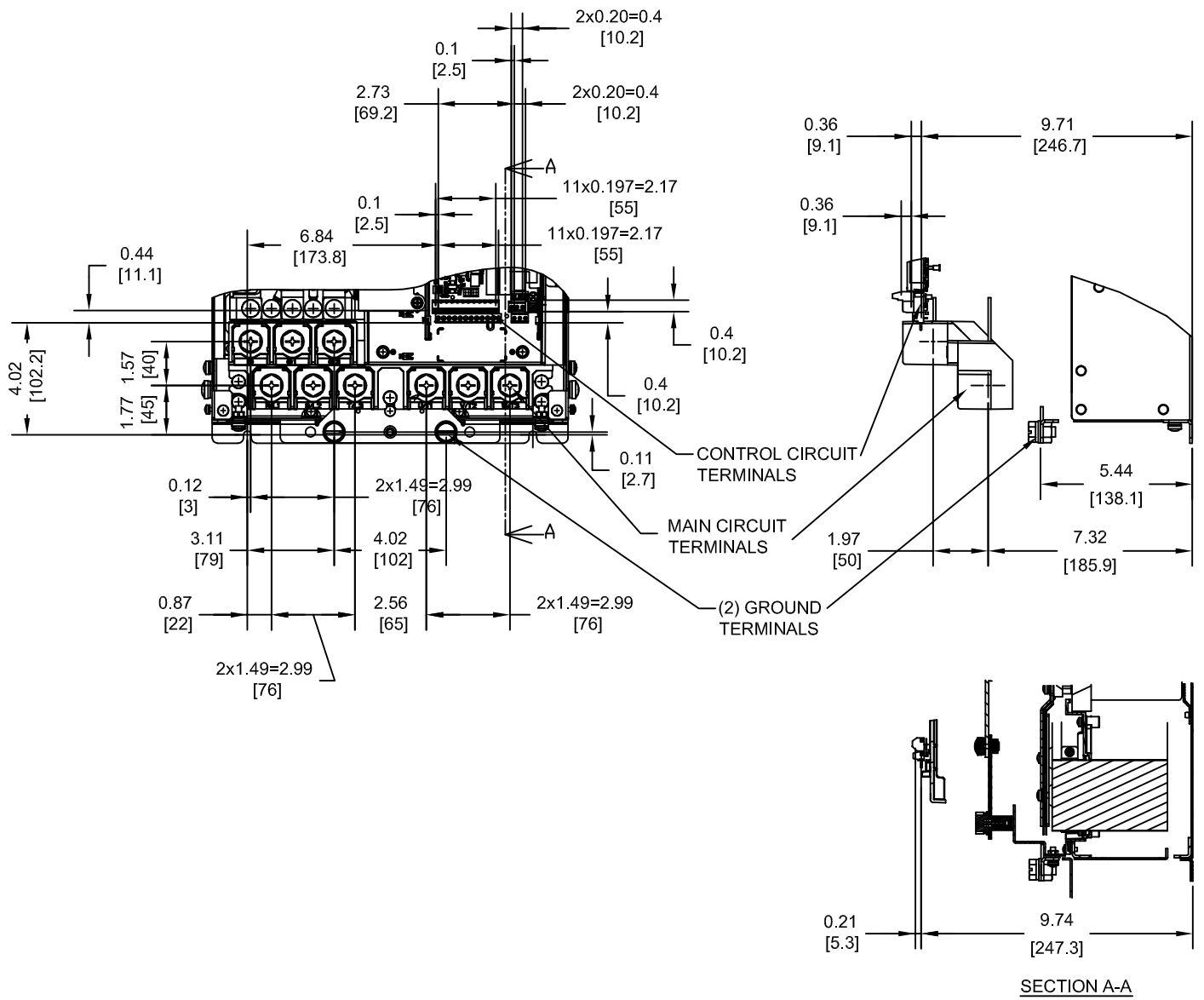
NOTE:  
XX DENOTES AA-ZZ

INT=INTERNAL COMPONENTS  
EXT=EXTERNAL HEATSINK  
TOT=TOTAL

FOR ADDITIONAL DETAILS AND SPECIFICATIONS, CONSULT MANUAL

TOLERANCES / REFERENCES:		<p>THIS DOCUMENT AND INFORMATION CONTAINED IN IT ARE CONFIDENTIAL, AND CANNOT BE COPIED OR DISCLOSED IN WHOLE OR IN PART WITHOUT THE EXPRESS WRITTEN CONSENT OF YASKAWA AMERICA, INC.</p>	DRAWN: J. MATTAS DATE: 2-4-14	TITLE: Z1000 600V DIMENSION DRAWING FRAME SIZE 10 IP00 ENCLOSURE 5A0062, 5A0077, 5A0099
			CHECKED: J. PIOTROWSKI DATE: 2-21-14	REVISION R00
			TECH: J. BORJA DATE: 2-24-14	PAGE 1 of 3
			APPROVED: J. CAIRO DATE: 2-26-14	DRAWING #: DD.Z1K6.FR10.IP00
UNITS: IN [mm]	SCALE: 1:10	ORIGINAL DESIGN: -	DATE: -	

TERMINAL AND WIRING DETAILS (SCALE 1:6)



TERMINAL AND WIRE SPECIFICATIONS FOR  
MAIN CIRCUIT AND GROUND

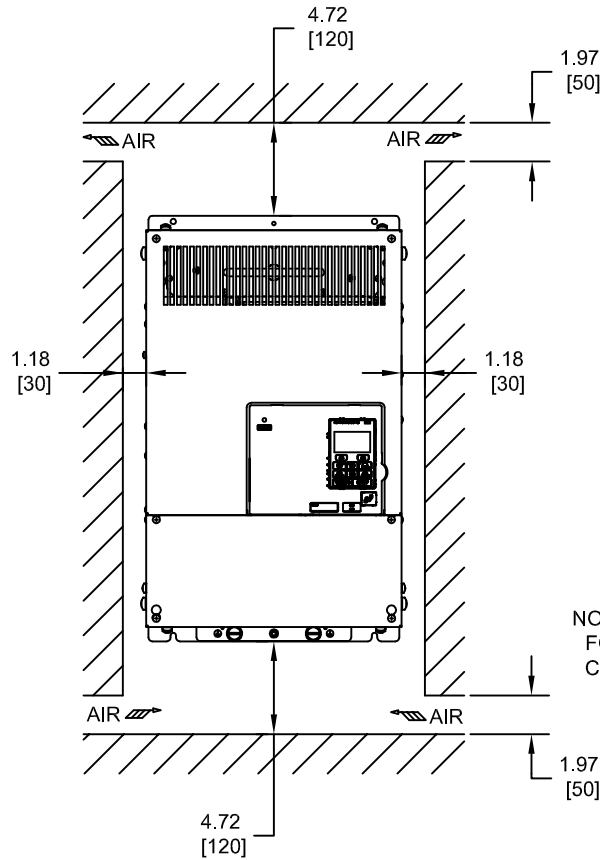
MODEL # CIMR-ZU	TERMINAL SYMBOL	TERMINAL SCREW	CLAMPING TORQUE lb.in.(N.m.)	WIRE RANGE AWG(mm <sup>2</sup> )
5A0062 5A0077 5A0099	R/L1, S/L2, T/L3	M10	159.3 TO 203.6 (18 TO 23)	10-4/0 (5.3-107.2)
	U/T1, V/T2, W/T3			
	⊖, ⊕1, ⊕3	M10	159.3 TO 203.6 (18 TO 23)	SEE NOTE
	⊕			

NOTE: REFER TO APPLICABLE CODES FOR PROPER WIRE TYPE AND SIZE

FOR ADDITIONAL DETAILS AND SPECIFICATIONS, CONSULT MANUAL

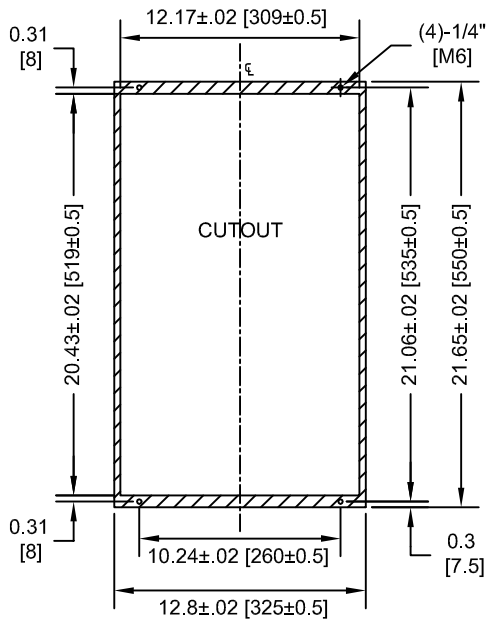
TOLERANCES / REFERENCES:			DRAWN: J. MATTAS DATE: 2-4-14	TITLE: Z1000 600V DIMENSION DRAWING FRAME SIZE 10
UNITS: IN [mm]			CHECKED: J. PIOTROWSKI DATE: 2-21-14	DATE: 2-21-14
SCALE: BY VIEW		THIS DOCUMENT AND INFORMATION CONTAINED IN IT ARE CONFIDENTIAL, AND CANNOT BE COPIED OR DISCLOSED IN WHOLE OR IN PART WITHOUT THE EXPRESS WRITTEN CONSENT OF YASKAWA AMERICA, INC.	TECH: J. BORJA DATE: 2-24-14	DATE: 2-24-14
		APPROVED: J. CAIRO DATE: 2-26-14	DATE: 2-26-14	SIZE: A REVISION: R00 PAGE: 2 of 3
		ORIGINAL DESIGN: -	DATE: -	DRAWING #: DD.Z1K6.FR10.IP00

MINIMUM INSTALLATION CLEARANCES (SCALE 1:10)



NOTE:  
FOR SIDE-BY-SIDE MOUNTING  
CONSULT MANUAL

PANEL CUTOUT FOR EXTERNAL HEATSINK  
MOUNTING CONFIGURATION (SCALE 1:10)



NOTE:  
EXPOSED HEATSINK DEPTH  
D=4.33" MINUS PANEL THICKNESS

FOR ADDITIONAL DETAILS AND SPECIFICATIONS, CONSULT MANUAL

TOLERANCES / REFERENCES:			DRAWN: J. MATTAS DATE: 2-4-14	TITLE: Z1000 600V DIMENSION DRAWING FRAME SIZE 10
			CHECKED: J. PIOTROWSKI DATE: 2-21-14	DATE: IP00 ENCLOSURE 5A0062, 5A0077, 5A0099
		THIS DOCUMENT AND INFORMATION CONTAINED IN IT ARE CONFIDENTIAL, AND CANNOT BE COPIED OR DISCLOSED IN WHOLE OR IN PART WITHOUT THE EXPRESS WRITTEN CONSENT OF YASKAWA AMERICA, INC.	TECH: J. BORJA DATE: 2-24-14	SIZE: A REVISION: R00 PAGE: 3 of 3
UNITS: IN [mm]	SCALE: BY VIEW		APPROVED: J. CAIRO DATE: 2-26-14	DRAWING #: DD.Z1K6.FR10.IP00