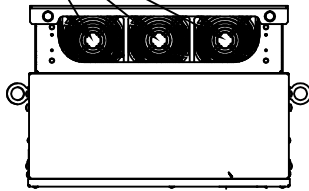
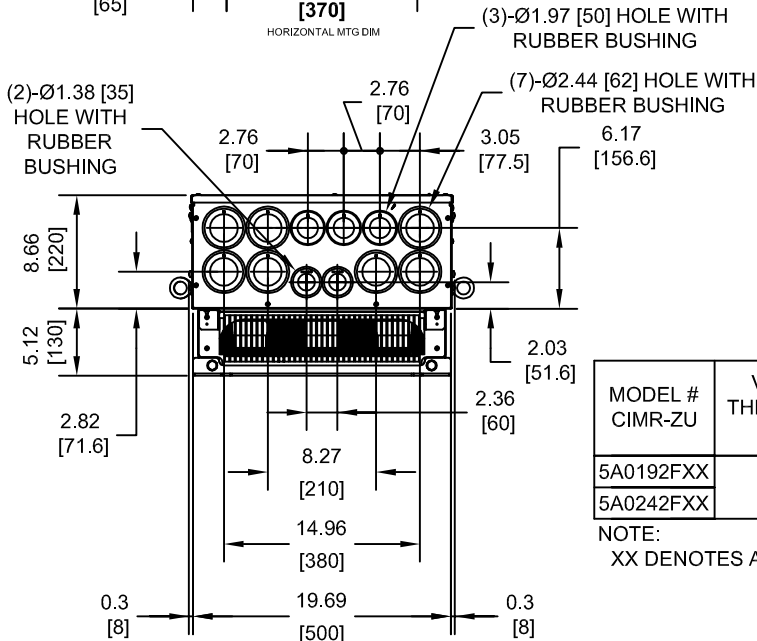
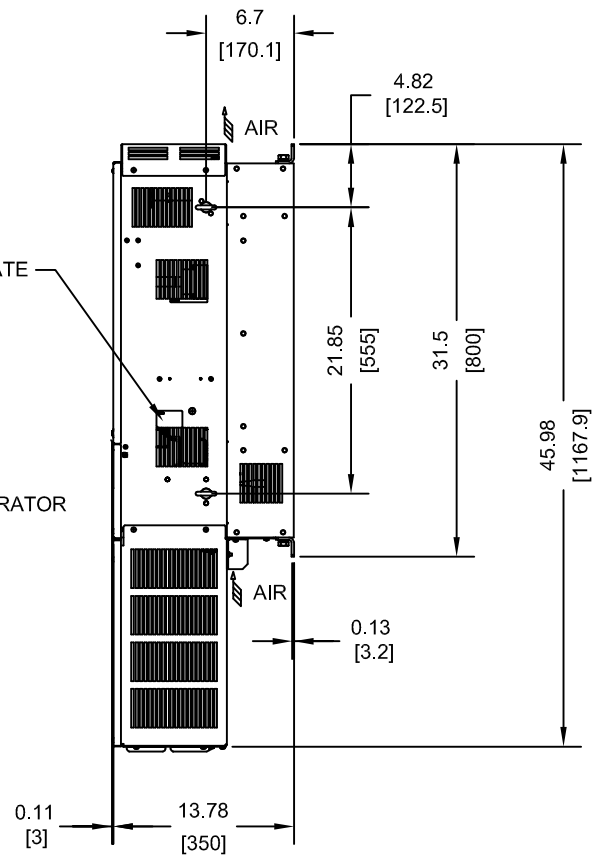
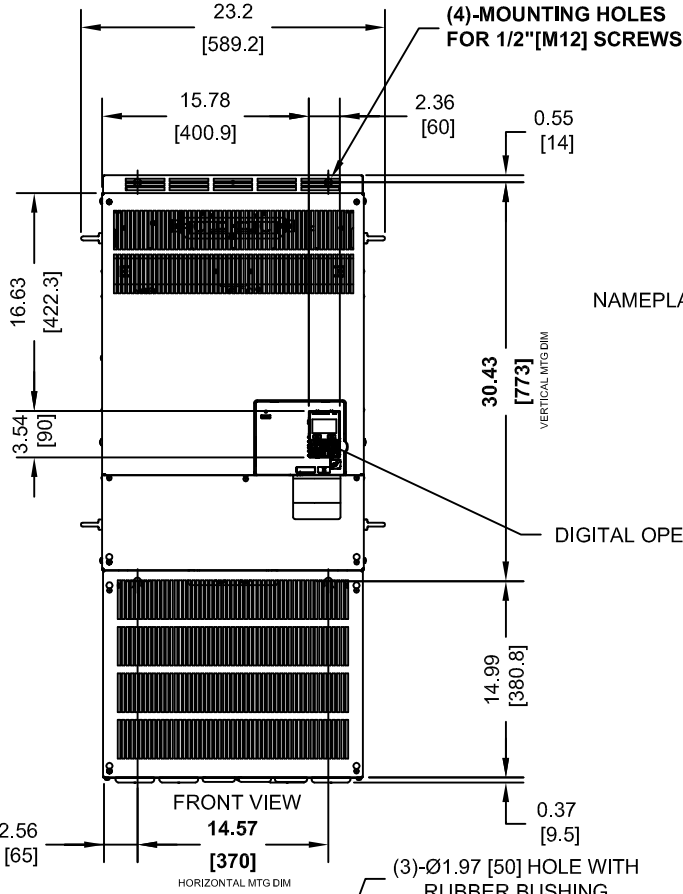
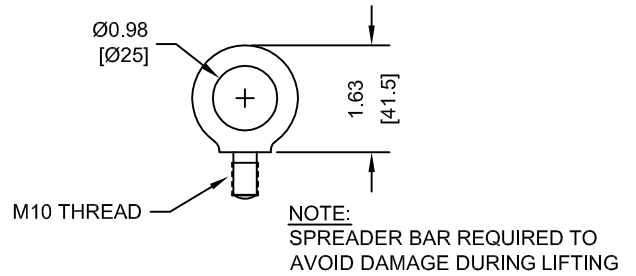


(3) EXTERNAL COOLING FANS



LIFTING AND EYEBOLT DETAILS



MODEL # CIMR-ZU	VOLTAGE THREE-PHASE (VAC)	OUTPUT CURRENT (A)	WEIGHT LBS (Kg)	HEAT LOSS (W) (Fc=2kHz)		
				INT	EXT	TOT
5A0192FXX	500/600	192	233 (106)	769	2420	3189
5A0242FXX		242	257 (117)	1131	3100	4231

NOTE:
XX DENOTES AA-ZZ

INT=INTERNAL COMPONENTS
EXT=EXTERNAL HEATSINK
TOT=TOTAL

FOR ADDITIONAL DETAILS AND SPECIFICATIONS, CONSULT MANUAL

TOLERANCES / REFERENCES:



THIS DOCUMENT AND INFORMATION CONTAINED
IN IT ARE CONFIDENTIAL, AND CANNOT BE
COPIED OR DISCLOSED IN WHOLE OR IN PART
WITHOUT THE EXPRESS WRITTEN CONSENT
OF YASKAWA AMERICA, INC.

DRAWN:
J. MATTAS

DATE
2-12-14

TITLE:
Z1000 600V DIMENSION

CHECKED:
J. PIOTROWSKI

DATE
2-21-14

FRAME SIZE 12
NEMA TYPE 1 ENCLOSURE
5A0192, 5A0242

TECH:
J. BORJA

DATE
2-24-14

SIZE A	REVISION R00	PAGE 1 of 3
-----------	-----------------	----------------

APPROVED:
J. CAIRO

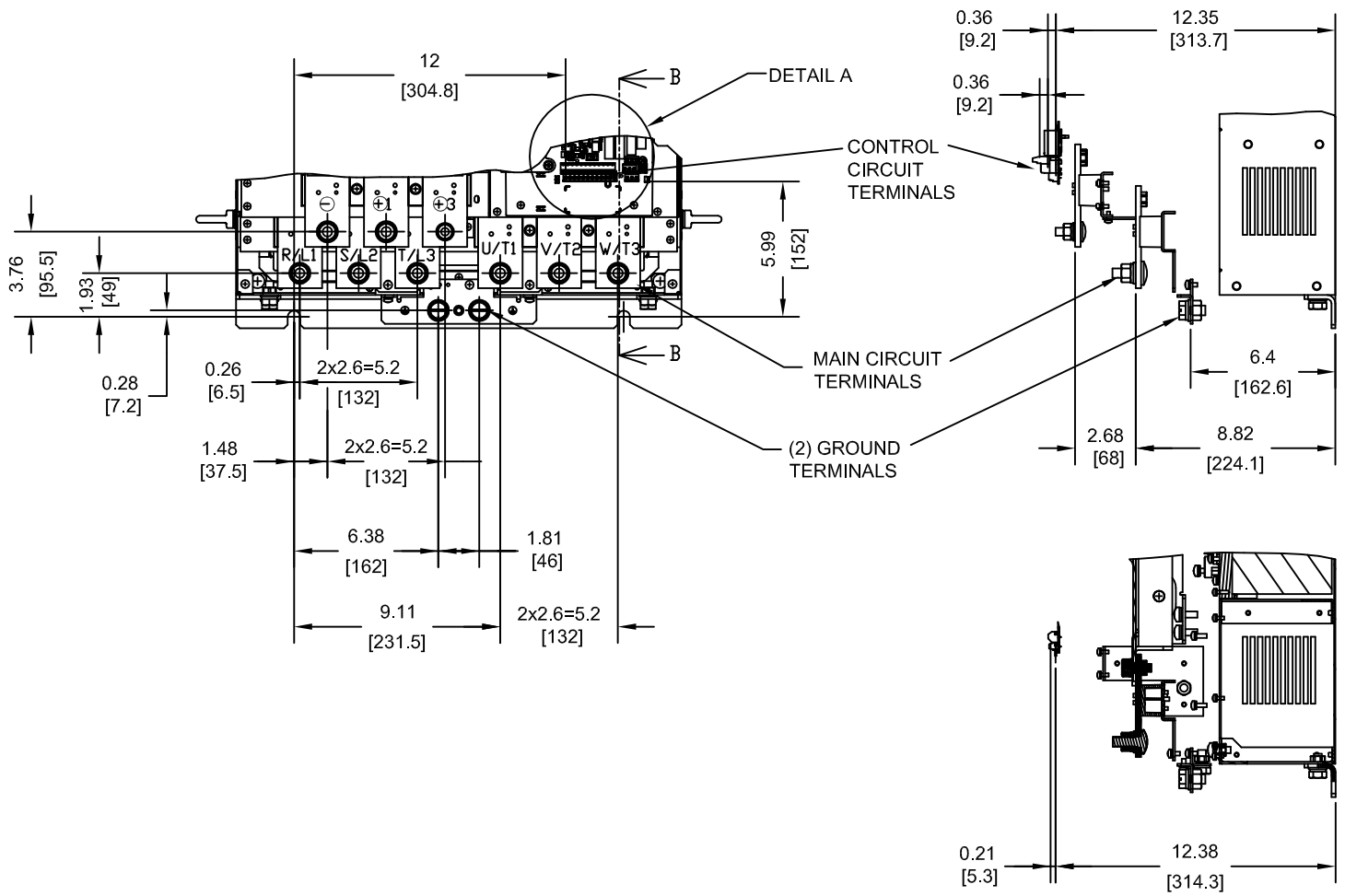
DATE
2-26-14

DRAWING #:
DD.Z1K6.FR12.N1

UNITS:
IN [mm]

SCALE:
1:15

TERMINAL AND WIRING DETAILS (SCALE 1:8)

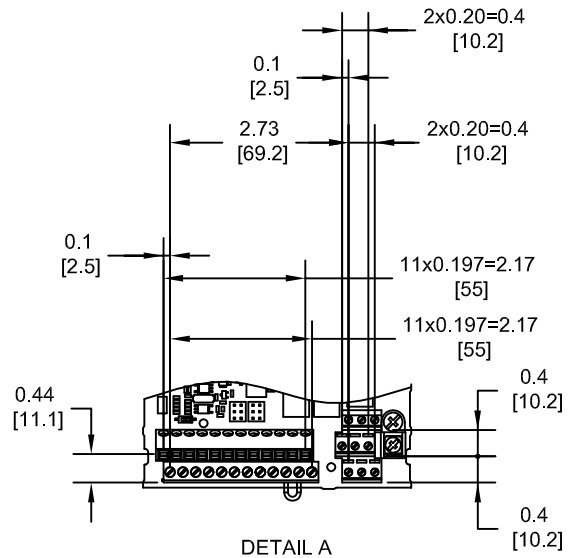


SECTION B-B

TERMINAL AND WIRE SPECIFICATIONS FOR MAIN CIRCUIT AND GROUND

MODEL # CIMR-ZU	TERMINAL SYMBOL	TERMINAL SCREW	CLAMPING TORQUE lb.in.(N.m.)
5A0192 5A0242	R/L1, S/L2, T/L3	M12	283.2 TO 354.0 (32 TO 40)
	U/T1, V/T2, W/T3		
	⊖, ⊕1	M10	159.3 TO 203.6 (18 TO 23)
	⊕3		
	⊕		

NOTE: REFER TO APPLICABLE CODES FOR PROPER WIRE TYPE AND SIZE

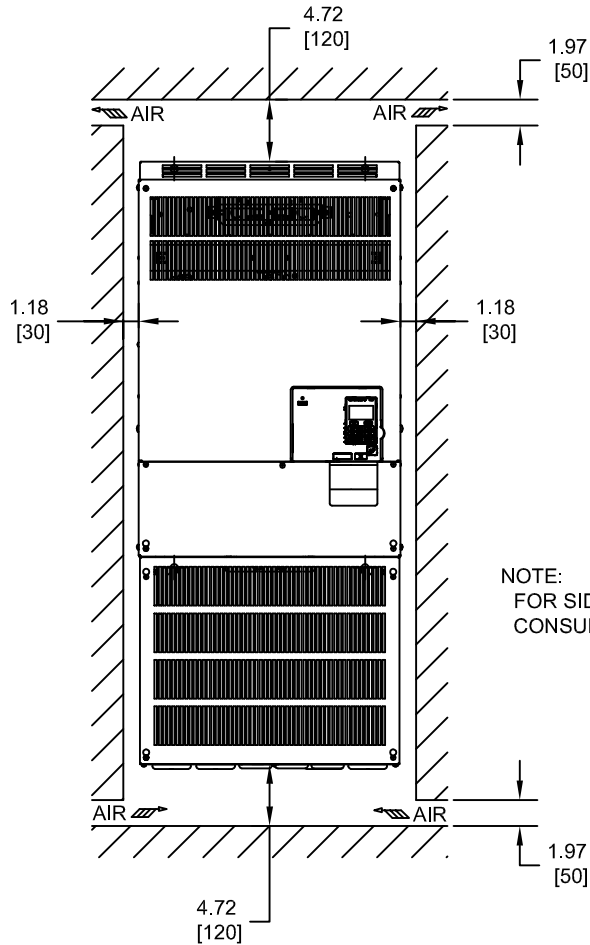


DETAIL A

FOR ADDITIONAL DETAILS AND SPECIFICATIONS, CONSULT MANUAL

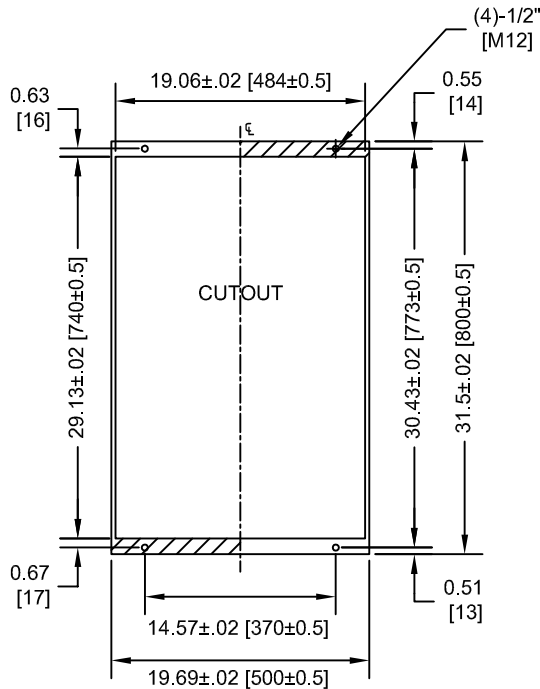
TOLERANCES / REFERENCES:			DRAWN: J. MATTAS DATE: 2-12-14	TITLE: Z1000 600V DIMENSION DRAWING FRAME SIZE 12 NEMA TYPE 1 ENCLOSURE 5A0192, 5A0242	
UNITS: IN [mm]			CHECKED: J. PIOTROWSKI DATE: 2-21-14	SIZE: A	REVISION: R00
SCALE: BY VIEW		THIS DOCUMENT AND INFORMATION CONTAINED IN IT ARE CONFIDENTIAL, AND CANNOT BE COPIED OR DISCLOSED IN WHOLE OR IN PART WITHOUT THE EXPRESS WRITTEN CONSENT OF YASKAWA AMERICA, INC.	TECH: J. BORJA DATE: 2-24-14	ORIGINAL DESIGN: -	DRAWING #: DD.Z1K6.FR12.N1
		APPROVED: J. CAIRO DATE: 2-26-14	DATE: 2-26-14		

MINIMUM INSTALLATION CLEARANCES (SCALE 1:15)



NOTE:
FOR SIDE-BY-SIDE MOUNTING
CONSULT MANUAL

PANEL CUTOUT FOR EXTERNAL HEATSINK MOUNTING CONFIGURATION (SCALE 1:15)



NOTE:
EXPOSED HEATSINK DEPTH
D=5.12" MINUS PANEL THICKNESS

FOR ADDITIONAL DETAILS AND SPECIFICATIONS, CONSULT MANUAL

TOLERANCES / REFERENCES:		<p>YASKAWA</p> <p>THIS DOCUMENT AND INFORMATION CONTAINED IN IT ARE CONFIDENTIAL, AND CANNOT BE COPIED OR DISCLOSED IN WHOLE OR IN PART WITHOUT THE EXPRESS WRITTEN CONSENT OF YASKAWA AMERICA, INC.</p>	DRAWN: J. MATTAS	DATE 2-12-14	TITLE: Z1000 600V DIMENSION DRAWING		
			CHECKED: J. PIOTROWSKI	DATE 2-21-14	FRAME SIZE 12		
			TECH: J. BORJA	DATE 2-24-14	NEMA TYPE 1 ENCLOSURE		
			APPROVED: J. CAIRO	DATE 2-26-14	5A0192, 5A0242		
UNITS: IN [mm]	SCALE: BY VIEW	ORIGINAL DESIGN: -	DATE -	SIZE A	REVISION R00	PAGE 3 of 3	DRAWING #: DD.Z1K6.FR12.N1