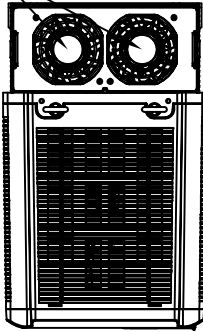
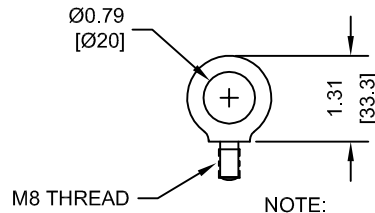


(2) EXTERNAL COOLING FANS

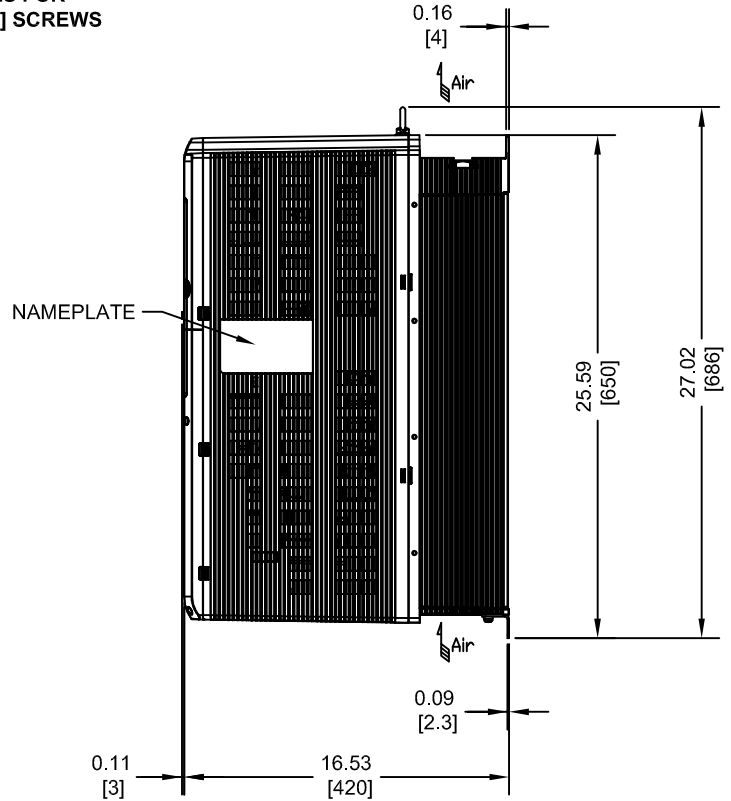
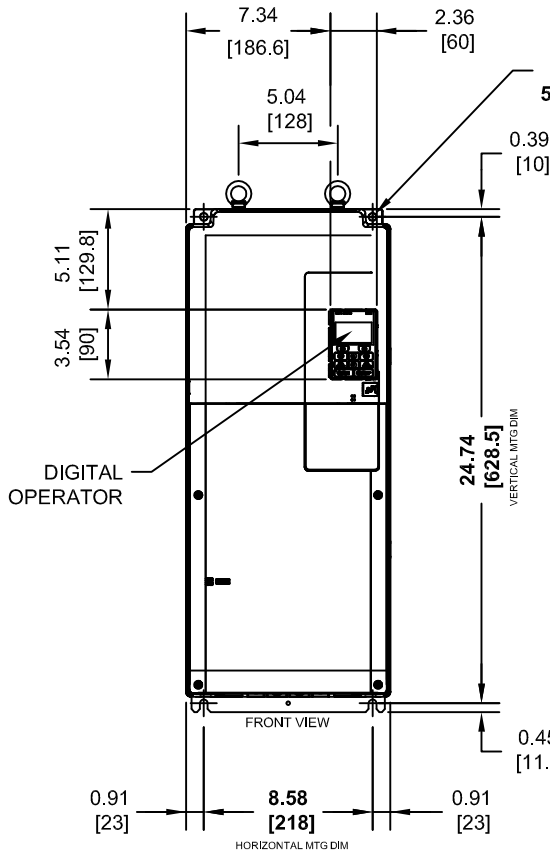


LIFTING AND EYEBOLT DETAILS



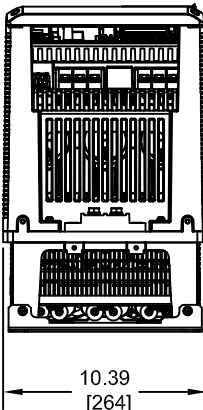
NOTE:
SPREADER BAR REQUIRED TO AVOID DAMAGE DURING LIFTING

(4)-MOUNTING HOLES FOR 5/16" [M8] SCREWS



DIGITAL OPERATOR

NAMEPLATE



MODEL # CIMR-ZU	VOLTAGE 3-PHASE (VAC)	OUTPUT CURRENT (A)	WEIGHT LBS (Kg)	WEIGHT WITHOUT EMC FILTER LBS (Kg)	HEAT LOSS (W) (Fc=4kHz)		
					INT	EXT	TOT
2Y0042AXX	200/240	42	73 (33)	70 (32)	168	854	1022
2Y0054AXX		54	73 (33)	70 (32)	195	1037	1232
2Y0068AXX		68	79 (36)	77 (35)	225	1295	1520
2Y0081AXX		81	79 (36)	77 (35)	238	1420	1658
4Y0040AXX	380/480*	40	73 (33)	70 (32)	174	877	1051
4Y0052AXX		52	73 (33)	70 (32)	209	1109	1318
4Y0065AXX		65	79 (36)	77 (35)	240	1369	1609
4Y0077AXX		77	79 (36)	77 (35)	251	1479	1730

NOTES:

Y DENOTES A-Z

XX DENOTES AA-ZZ

* - FOR MODELS WITHOUT INTEGRAL EMC FILTER,
VOLTAGE RATING IS 380/500.

INT=INTERNAL COMPONENTS
EXT=EXTERNAL HEATSINK
TOT=TOTAL

FOR ADDITIONAL DETAILS AND SPECIFICATIONS, CONSULT MANUAL

TOLERANCES / REFERENCES:



THIS DOCUMENT AND INFORMATION CONTAINED
IN IT ARE CONFIDENTIAL, AND CANNOT BE
COPIED OR DISCLOSED IN WHOLE OR IN PART
WITHOUT THE EXPRESS WRITTEN CONSENT
OF YASKAWA AMERICA, INC.

DRAWN:
J. MATTAS

DATE
12-8-14

CHECKED:
J. PIOTROWSKI

DATE
12-16-14

TECH:
J. BORJA

DATE
12-17-14

APPROVED:
J. CAIRO

DATE
2-10-15

ORIGINAL DESIGN:
-

DATE
-

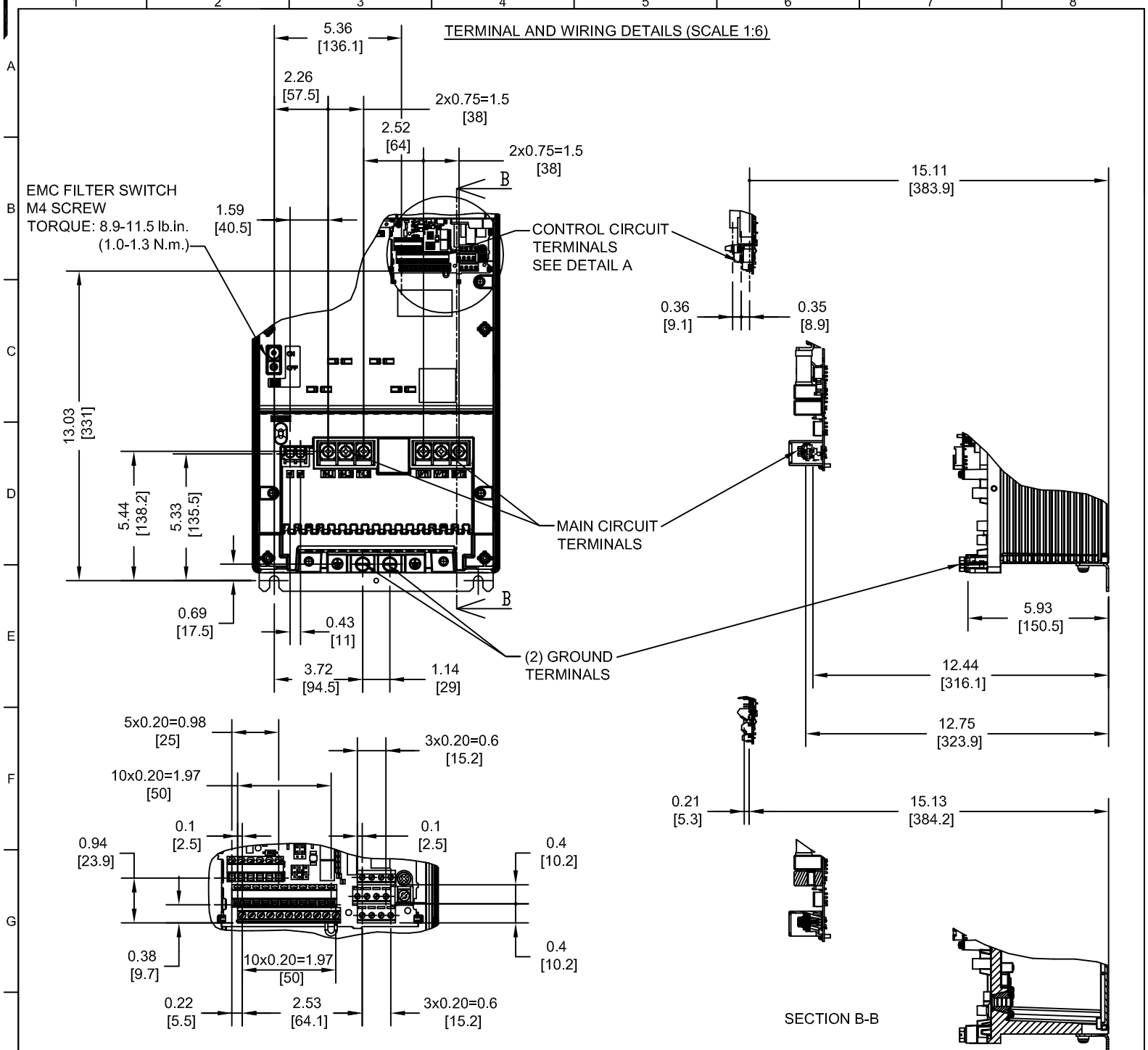
TITLE:
Z1000U DIMENSION DRAWING
FRAME SIZE 2
IP00 ENCLOSURE
2A0042 - 2A0081, 4A0040 - 4A0077

SIZE: A REVISION: R00 PAGE: 1 of 3

DRAWING #:
DD.Z1KU.FR2.IP00

UNITS:
IN[mm]

SCALE:
1:10



DETAIL A (SCALE 1:3)
CONTROL CIRCUIT TERMINALS

TERMINAL AND WIRE SPECIFICATIONS FOR
MAIN CIRCUIT AND GROUND

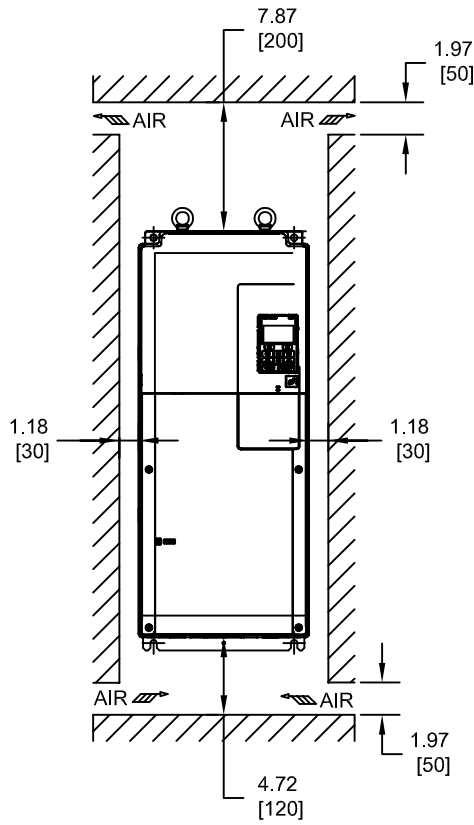
MODEL # CIMR-ZU	TERMINAL SYMBOL	TERMINAL SCREW	CLAMPING TORQUE lb.in.(N.m.)	WIRE RANGE AWG(mm ²)
2A0042	R/L1, S/L2, T/L3	M6	35.4 TO 53.1 (4 TO 6)	10 TO 4 (6 TO 25)
2A0054	U/T1, V/T2, W/T3			
2A0068	p1, n1	M4	8.9 TO 12.4 (1 TO 1.4)	14 TO 12 (2.5 TO 4)
2A0081				
4A0040	⊕	M8	78.1 TO 95.5 (8.8 TO 10.8)	10 TO 4 (6 TO 25)
4A0052				
4A0065				
4A0077				

NOTE: REFER TO APPLICABLE CODES FOR PROPER WIRE TYPE AND SIZE

FOR ADDITIONAL DETAILS AND SPECIFICATIONS, CONSULT MANUAL

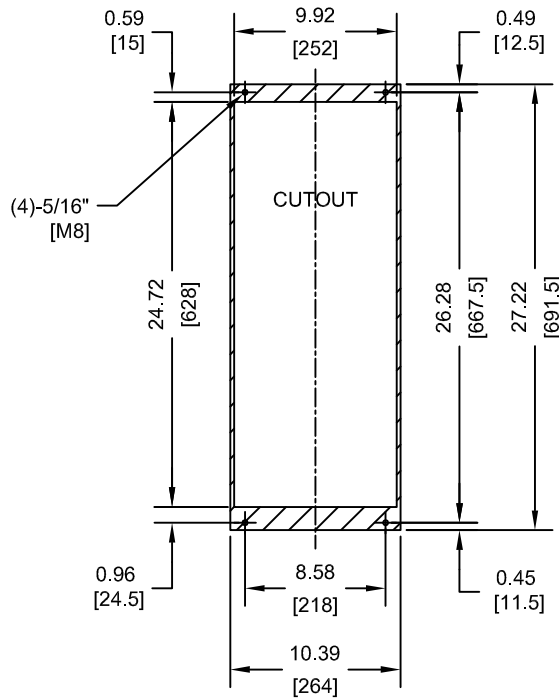
TOLERANCES / REFERENCES:			DRAWN: J. MATTAS CHECKED: J. PIOTROWSKI TECH: J. BORJA APPROVED: J. CAIRO ORIGINAL DESIGN: -	DATE 12-8-14 DATE 12-16-14 DATE 12-17-14 DATE 2-10-15 DATE -	TITLE: Z1000U DIMENSION DRAWING FRAME SIZE 2 IP00 ENCLOSURE 2A0042 - 2A0081, 4A0040 - 4A0077 SIZE A REVISION R00 PAGE 2 of 3
UNITS: IN[mm]	SCALE: BY VIEW		THIS DOCUMENT AND INFORMATION CONTAINED IN IT ARE CONFIDENTIAL, AND CANNOT BE COPIED OR DISCLOSED IN WHOLE OR IN PART WITHOUT THE EXPRESS WRITTEN CONSENT OF YASKAWA AMERICA, INC.	DRAWING #: DD.Z1KU.FR2.IP00	

MINIMUM INSTALLATION CLEARANCES (SCALE 1:12)



NOTE:
FOR SIDE-BY-SIDE MOUNTING
CONSULT MANUAL

PANEL CUTOUT FOR EXTERNAL HEATSINK
MOUNTING CONFIGURATION (SCALE 1:12)



NOTES:
1. EXTERNAL HEATSINK
CONFIGURATION REQUIRES
MOUNTING KIT
2. EXPOSED HEATSINK
RECOMMENDED CLEARANCE
D=5.12"

FOR ADDITIONAL DETAILS AND SPECIFICATIONS, CONSULT MANUAL

TOLERANCES / REFERENCES:			DRAWN: J. MATTAS CHECKED: J. PIOTROWSKI TECH: J. BORJA APPROVED: J. CAIRO ORIGINAL DESIGN: -	DATE: 12-8-14 DATE: 12-16-14 DATE: 12-17-14 DATE: 2-10-15 DATE: -	TITLE: Z1000U DIMENSION DRAWING FRAME SIZE 2 IP00 ENCLOSURE 2A0042 - 2A0081, 4A0040 - 4A0077
UNITS: IN[mm]	SCALE: BY VIEW		THIS DOCUMENT AND INFORMATION CONTAINED IN IT ARE CONFIDENTIAL, AND CANNOT BE COPIED OR DISCLOSED IN WHOLE OR IN PART WITHOUT THE EXPRESS WRITTEN CONSENT OF YASKAWA AMERICA, INC.	SIZE A REVISION R00 PAGE 3 of 3	DRAWING #: DD.Z1KU.FR2.IP00