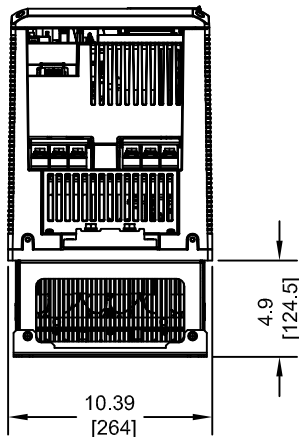
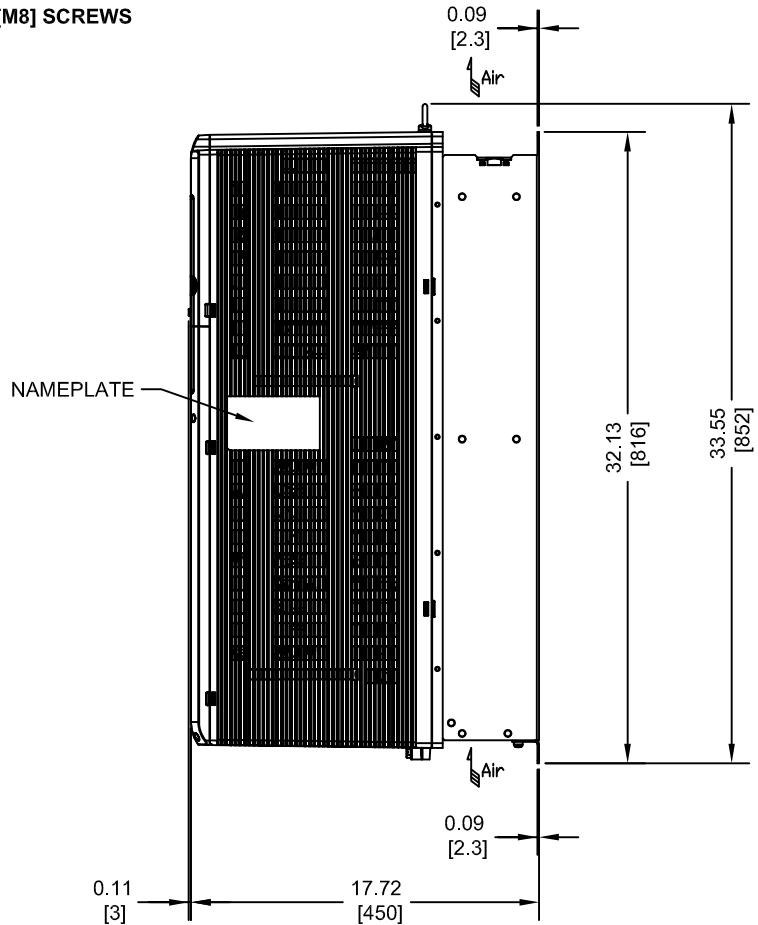
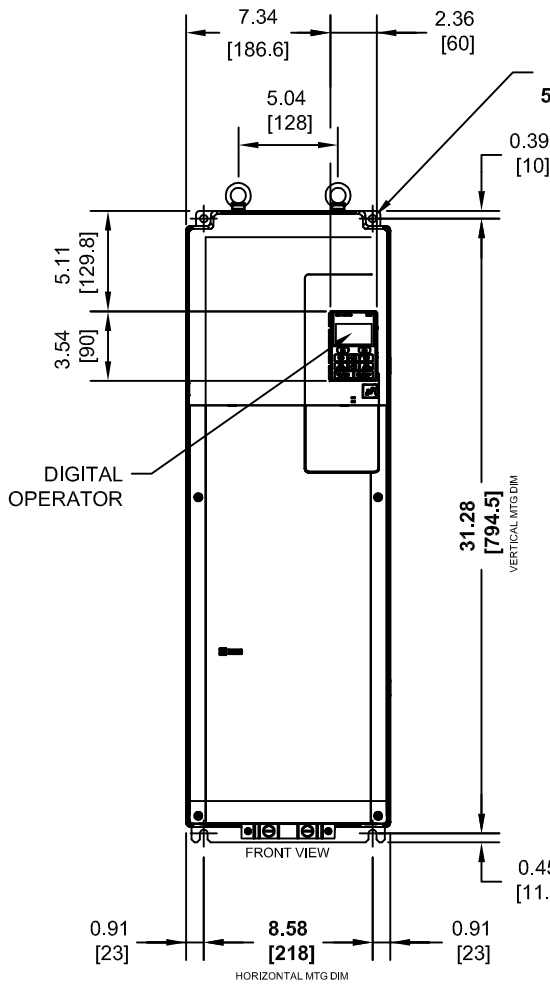
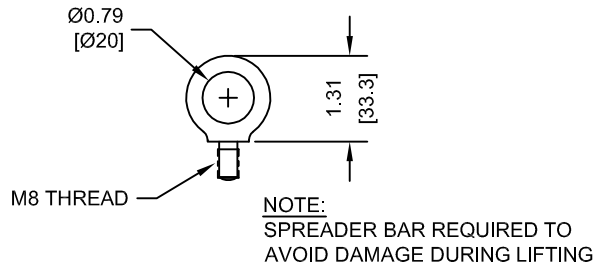


LIFTING AND EYEBOLT DETAILS



MODEL # CIMR-ZU	VOLTAGE 3-PHASE (VAC)	OUTPUT CURRENT (A)	WEIGHT LBS (Kg)	WEIGHT WITHOUT EMC FILTER LBS (Kg)	HEAT LOSS (W) (Fc=4kHz)		
					INT	EXT	TOT
2Y0104AXX	200/240	104	139 (63)	132 (60)	282	1696	1978
2Y0130AXX		130	139 (63)	132 (60)	341	2157	2498
4Y0096AXX	380/480*	96	139 (63)	132 (60)	290	1715	2005
4Y0124AXX		124	139 (63)	132 (60)	362	2256	2618

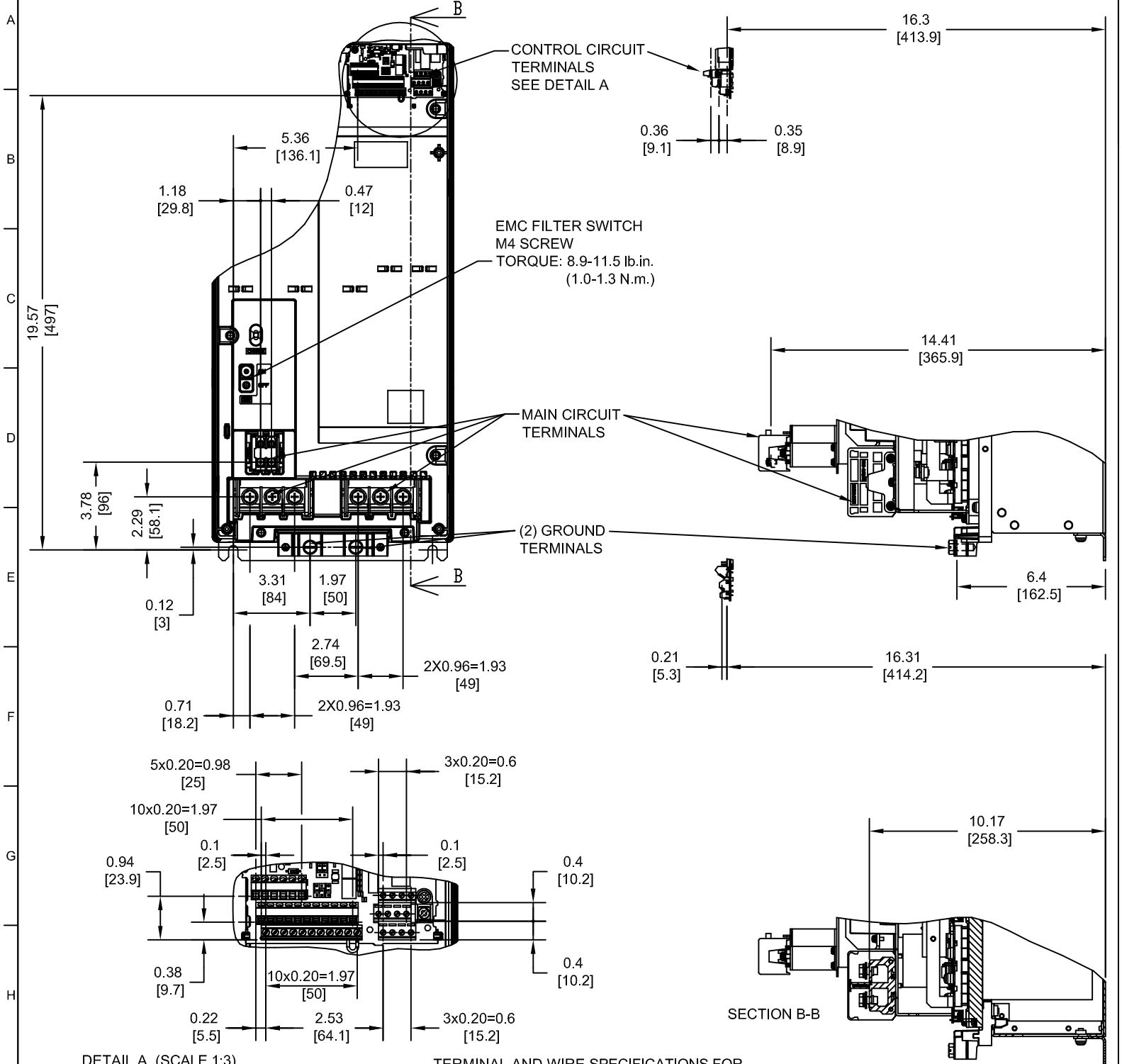
NOTES:
 Y DENOTES A-Z
 XX DENOTES AA-ZZ
 * - FOR MODELS WITHOUT INTEGRAL EMC FILTER,
 VOLTAGE RATING IS 380/500.

INT=INTERNAL COMPONENTS
 EXT=EXTERNAL HEATSINK
 TOT=TOTAL

FOR ADDITIONAL DETAILS AND SPECIFICATIONS, CONSULT MANUAL

TOLERANCES / REFERENCES:		<p>THIS DOCUMENT AND INFORMATION CONTAINED IN IT ARE CONFIDENTIAL, AND CANNOT BE COPIED OR DISCLOSED IN WHOLE OR IN PART WITHOUT THE EXPRESS WRITTEN CONSENT OF YASKAWA AMERICA, INC.</p>	DRAWN: J. MATTAS CHECKED: J. PIOTROWSKI TECH: J. BORJA APPROVED: J. CAIRO ORIGINAL DESIGN:	DATE: 12-9-14 DATE: 12-16-14 DATE: 12-17-14 DATE: 2-10-15 DATE:	TITLE: Z1000U DIMENSION DRAWING FRAME SIZE 3 IP00 ENCLOSURE 2A0104, 2A0130, 4A0096 AND 4A0124
UNITS: IN[mm]	SCALE: 1:10		SIZE: A REVISION: R00 PAGE: 1 of 3	DRAWING #: DD.Z1KU.FR3.IP00	

TERMINAL AND WIRING DETAILS (SCALE 1:6)



DETAIL A (SCALE 1:3)
CONTROL CIRCUIT TERMINALS

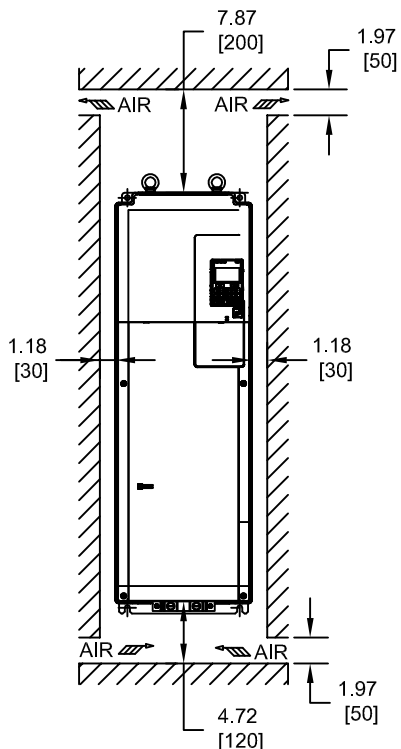
TERMINAL AND WIRE SPECIFICATIONS FOR
MAIN CIRCUIT AND GROUND

MODEL # CIMR-ZU	TERMINAL SYMBOL	TERMINAL SCREW	CLAMPING TORQUE lb.in.(N.m.)	WIRE RANGE AWG(mm ²)
2A0104	R/L1, S/L2, T/L3	M8	70.8 TO 88.5 (8 TO 10)	10 TO 1/0 (6 TO 50)
2A0130	U/T1, V/T2, W/T3			
4A0096	p1, n1	M4	10.6 TO 17.7 (1.2 TO 2.0)	14 TO 12 (2.5 TO 4)
4A0124	⊕	M8	78.1 TO 95.5 (8.8 TO 10.8)	4 TO 1 (25 TO 35)

NOTE: REFER TO APPLICABLE CODES FOR PROPER WIRE TYPE AND SIZE

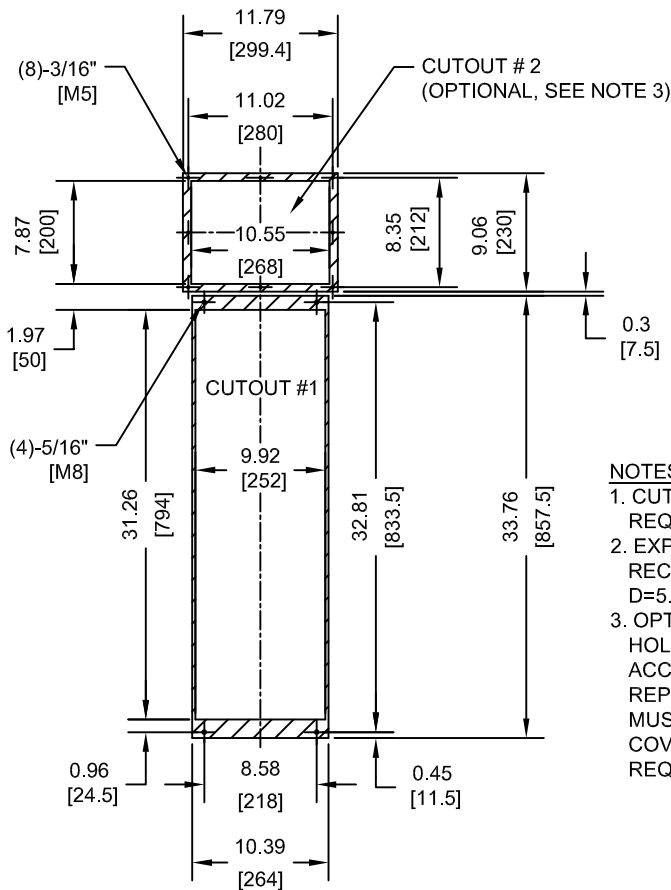
TOLERANCES / REFERENCES:			DRAWN: J. MATTAS	DATE: 12-9-14	TITLE: Z1000U DIMENSION DRAWING	
UNITS: IN[mm]	SCALE: BY VIEW		CHECKED: J. PIOTROWSKI	DATE: 12-16-14	FRAME SIZE 3	
		THIS DOCUMENT AND INFORMATION CONTAINED IN IT ARE CONFIDENTIAL, AND CANNOT BE COPIED OR DISCLOSED IN WHOLE OR IN PART WITHOUT THE EXPRESS WRITTEN CONSENT OF YASKAWA AMERICA, INC.		TECH: J. BORJA	DATE: 12-17-14	IP00 ENCLOSURE
		APPROVED: J. CAIRO	DATE: 2-10-15	SIZE: A	REVISION: R00	PAGE: 2 of 3
		ORIGINAL DESIGN: -	DATE: -	DRAWING #: DD.Z1KU.FR3.IP00		

MINIMUM INSTALLATION CLEARANCES (SCALE 1:15)



NOTE:
FOR SIDE-BY-SIDE MOUNTING
CONSULT MANUAL

PANEL CUTOUT FOR EXTERNAL HEATSINK
MOUNTING CONFIGURATION (SCALE 1:15)



NOTES:

- CUTOUT #1: EXTERNAL HEATSINK, REQUIRES MOUNTING KIT
- EXPOSED HEATSINK RECOMMENDED CLEARANCE D=5.51"
- OPTIONAL CUTOUT #2 IS AN ACCESS HOLE TO ALLOW FOR FRONT ACCESS DURING HEATSINK COOLING FAN REPLACEMENT. THE PANEL BUILDER MUST SUPPLY THE APPROPRIATE COVER PLATE AND HARDWARE REQUIRED TO CLOSE THIS OPENING.

FOR ADDITIONAL DETAILS AND SPECIFICATIONS, CONSULT MANUAL

TOLERANCES / REFERENCES:		<p>THIS DOCUMENT AND INFORMATION CONTAINED IN IT ARE CONFIDENTIAL, AND CANNOT BE COPIED OR DISCLOSED IN WHOLE OR IN PART WITHOUT THE EXPRESS WRITTEN CONSENT OF YASKAWA AMERICA, INC.</p>	DRAWN: J. MATTAS CHECKED: J. PIOTROWSKI TECH: J. BORJA APPROVED: J. CAIRO ORIGINAL DESIGN: -	DATE 12-9-14 DATE 12-16-14 DATE 12-17-14 DATE 2-10-15 DATE -	TITLE: Z1000U DIMENSION DRAWING FRAME SIZE 3 IP00 ENCLOSURE 2A0104, 2A0130, 4A0096 AND 4A0124
UNITS: IN[mm]	SCALE: BY VIEW		SIZE A	REVISION R00	PAGE 3 of 3
			DRAWING #: DD.Z1KU.FR3.IP00		