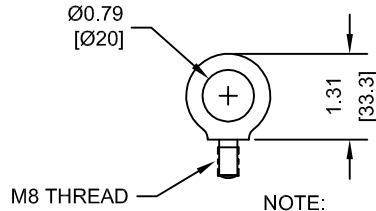


(2) EXTERNAL COOLING FANS

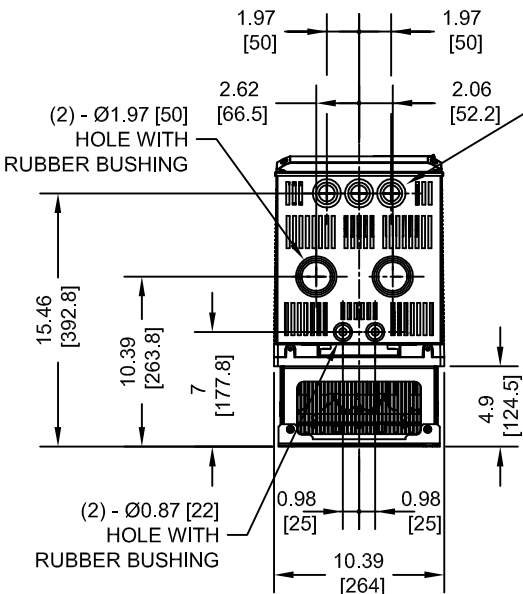
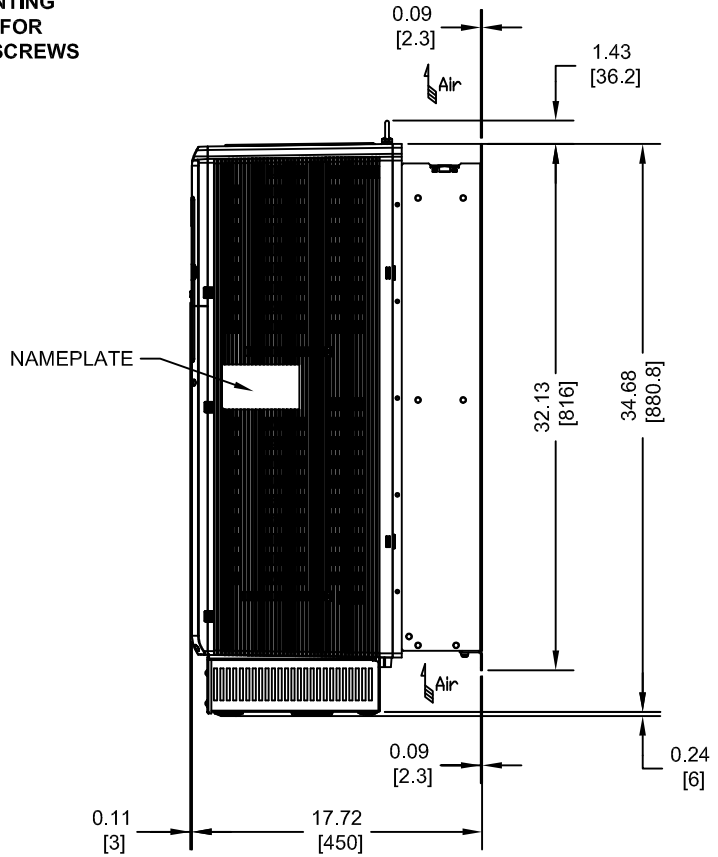
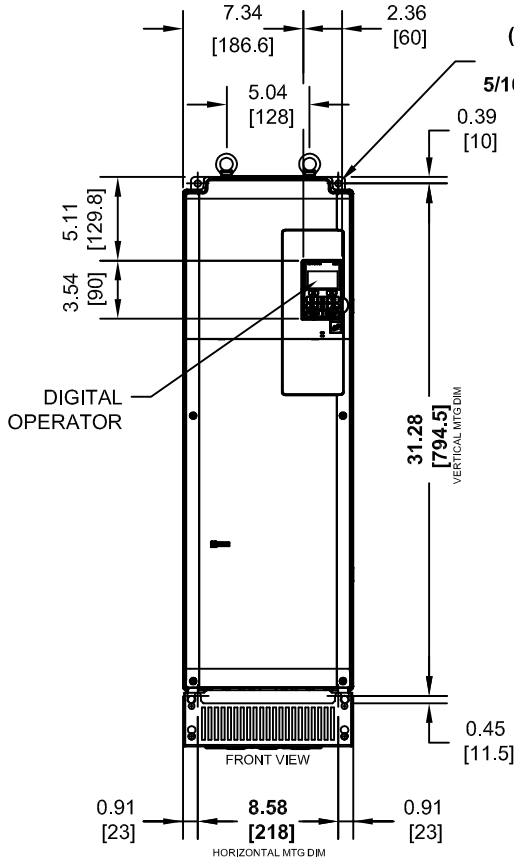
TOP PROTECTIVE COVER

LIFTING AND EYEBOLT DETAILS



NOTE:
SPREADER BAR REQUIRED TO AVOID DAMAGE DURING LIFTING

(4)-MOUNTING HOLES FOR 5/16" [M8] SCREWS



(3) - Ø1.38 [35] HOLE WITH RUBBER BUSHING

THE DIMENSIONS SHOWN ARE FOR AN IP00 OPEN TYPE DRIVE THAT HAS BEEN CONVERTED TO A NEMA TYPE 1 DRIVE BY ADDING THE PARTS FROM NEMA 1 KIT PART NUMBER EZZ022745C

MODEL # CIMR-ZU	VOLTAGE 3-PHASE (VAC)	OUTPUT CURRENT (A)	WEIGHT LBS (Kg)	WEIGHT WITHOUT EMC FILTER LBS (Kg)	HEAT LOSS (W) (Fc=4kHz)		
					INT	EXT	TOT
2□0104□□	200/240	104	143 (65)	137 (62)	282	1696	1978
2□0130□□		130	143 (65)	137 (62)	341	2157	2498
4□0096□□	380/480*	96	143 (65)	137 (62)	290	1715	2005
4□0124□□		124	143 (65)	137 (62)	362	2256	2618

NOTES:

- DENOTES A-Z
- DENOTES AAA-ZZZ
- * - FOR MODELS WITHOUT INTEGRAL EMC FILTER, VOLTAGE RATING IS 380/500.

INT=INTERNAL COMPONENTS
EXT=EXTERNAL HEATSINK
TOT=TOTAL

FOR ADDITIONAL DETAILS AND SPECIFICATIONS, CONSULT MANUAL

TOLERANCES / REFERENCES:



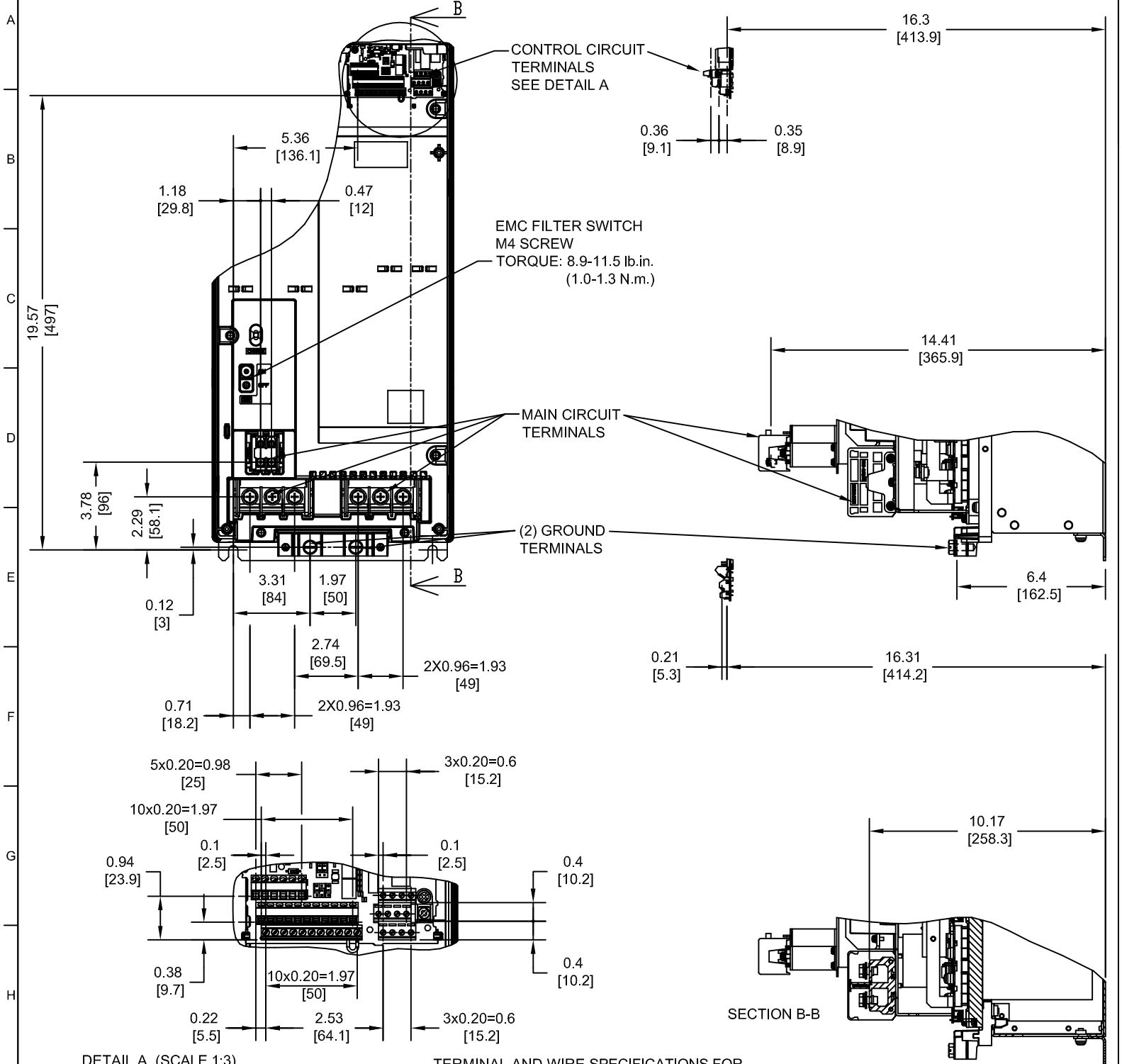
THIS DOCUMENT AND INFORMATION CONTAINED IN IT ARE CONFIDENTIAL, AND CANNOT BE COPIED OR DISCLOSED IN WHOLE OR IN PART WITHOUT THE EXPRESS WRITTEN CONSENT OF YASKAWA AMERICA, INC.

DRAWN: J. MATTAS	DATE 3-17-15
CHECKED: J. PIOTROWSKI	DATE 3-18-15
TECH: J. BORJA	DATE 3-19-15
APPROVED: J. CAIRO	DATE 4-30-15
ORIGINAL DESIGN:	DATE

TITLE: Z1000U DIMENSION DRAWING FRAME SIZE 3 NEMA TYPE 1 ENCLOSURE 2□0104, 2□0130, 4□0096 AND 4□0124		
SIZE A	REVISION R00	PAGE 1 of 3
DRAWING #: DD.Z1KU.FR3.N1		

UNITS: IN[mm] SCALE: 1:12

TERMINAL AND WIRING DETAILS (SCALE 1:6)



DETAIL A (SCALE 1:3)
CONTROL CIRCUIT TERMINALS

TERMINAL AND WIRE SPECIFICATIONS FOR
MAIN CIRCUIT AND GROUND

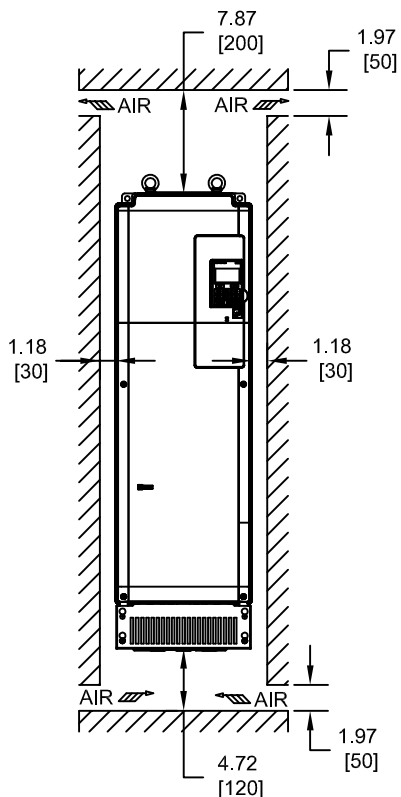
MODEL # CIMR-ZU	TERMINAL SYMBOL	TERMINAL SCREW	CLAMPING TORQUE lb.in.(N.m.)	WIRE RANGE AWG(mm ²)
2□0104	R/L1, S/L2, T/L3	M8	70.8 TO 88.5 (8 TO 10)	10 TO 1/0 (6 TO 50)
2□0130	U/T1, V/T2, W/T3			
4□0096	p1, n1	M4	10.6 TO 17.7 (1.2 TO 2.0)	14 TO 12 (2.5 TO 4)
4□0124	⊕	M8	78.1 TO 95.5 (8.8 TO 10.8)	4 TO 1 (25 TO 35)

NOTE: REFER TO APPLICABLE CODES FOR PROPER WIRE TYPE AND SIZE

TOLERANCES / REFERENCES:			DRAWN: J. MATTAS	DATE: 3-17-15	TITLE: Z1000U DIMENSION DRAWING		
			CHECKED: J. PIOTROWSKI	DATE: 3-18-15	FRAME SIZE 3		
		TECH: J. BORJA		DATE: 3-19-15	NEMA TYPE 1 ENCLOSURE		
		APPROVED: J. CAIRO		DATE: 4-30-15	SIZE: A	REVISION: R00	PAGE: 2 of 3
UNITS: IN[mm]	SCALE: BY VIEW	ORIGINAL DESIGN: -		DATE: -	DRAWING #: DD.Z1KU.FR3.N1		

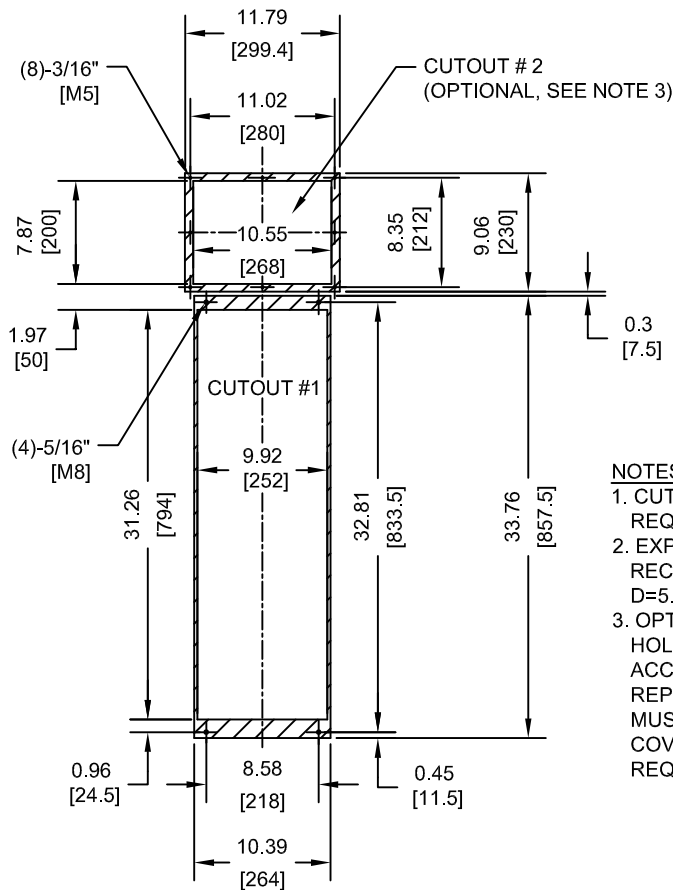
THIS DOCUMENT AND INFORMATION CONTAINED IN IT ARE CONFIDENTIAL, AND CANNOT BE COPIED OR DISCLOSED IN WHOLE OR IN PART WITHOUT THE EXPRESS WRITTEN CONSENT OF YASKAWA AMERICA, INC.

MINIMUM INSTALLATION CLEARANCES (SCALE 1:15)



NOTE:
FOR SIDE-BY-SIDE MOUNTING
CONSULT MANUAL

PANEL CUTOUT FOR EXTERNAL HEATSINK
MOUNTING CONFIGURATION (SCALE 1:15)



NOTES:

- CUTOUT #1: EXTERNAL HEATSINK, REQUIRES MOUNTING KIT
- EXPOSED HEATSINK RECOMMENDED CLEARANCE D=5.51"
- OPTIONAL CUTOUT #2 IS AN ACCESS HOLE TO ALLOW FOR FRONT ACCESS DURING HEATSINK COOLING FAN REPLACEMENT. THE PANEL BUILDER MUST SUPPLY THE APPROPRIATE COVER PLATE AND HARDWARE REQUIRED TO CLOSE THIS OPENING.

FOR ADDITIONAL DETAILS AND SPECIFICATIONS, CONSULT MANUAL

TOLERANCES / REFERENCES:		<p>THIS DOCUMENT AND INFORMATION CONTAINED IN IT ARE CONFIDENTIAL, AND CANNOT BE COPIED OR DISCLOSED IN WHOLE OR IN PART WITHOUT THE EXPRESS WRITTEN CONSENT OF YASKAWA AMERICA, INC.</p>	DRAWN: J. MATTAS	DATE 3-17-15	TITLE: Z1000U DIMENSION DRAWING	
UNITS: IN[mm]			SCALE: BY VIEW	CHECKED: J. PIOTROWSKI	DATE 3-18-15	FRAME SIZE 3
				TECH: J. BORJA	DATE 3-19-15	NEMA TYPE 1 ENCLOSURE
				APPROVED: J. CAIRO	DATE 4-30-15	2□0104, 2□0130, 4□0096 AND 4□0124
			ORIGINAL DESIGN:	DATE -	SIZE A	
					REVISION R00	
					PAGE 3 of 3	
					DRAWING #: DD.Z1KU.FR3.N1	