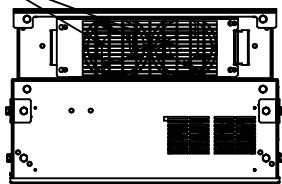
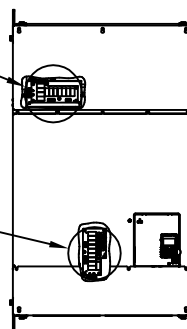


EMC FILTER SWITCH DETAILS

(2) EXTERNAL COOLING FANS



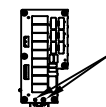
DETAIL B



EMC FILTER SWITCH



DETAIL B

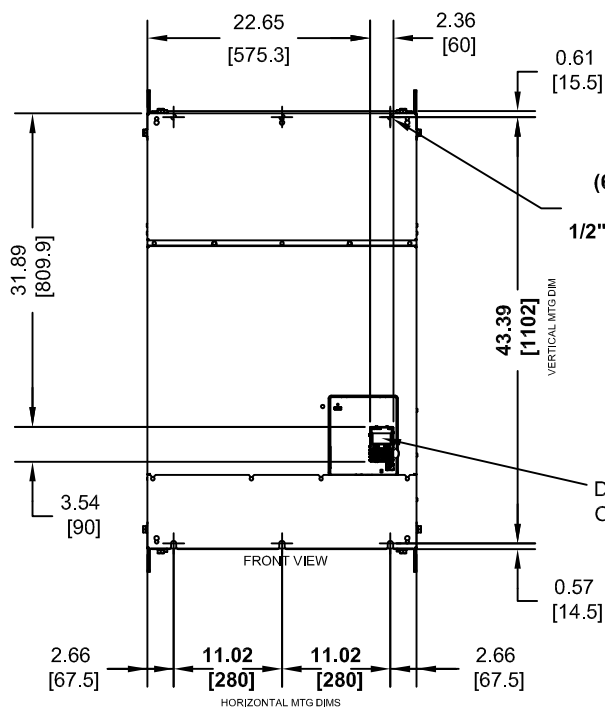


EMC FILTER SWITCH

DETAIL C

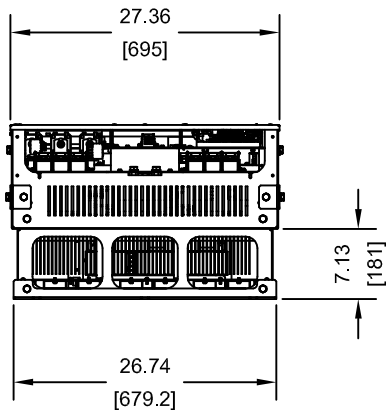
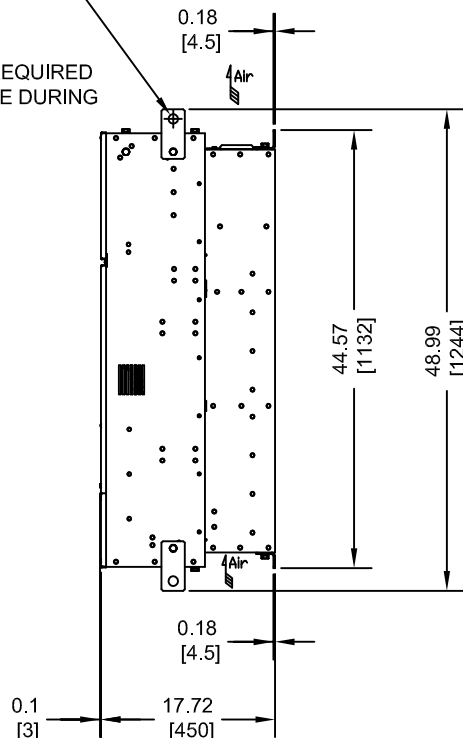
(4)-LIFTING HOLES
Ø0.98
[Ø25]

NOTE:
SPREADER BAR REQUIRED
TO AVOID DAMAGE DURING
LIFTING



(6)-MOUNTING HOLES FOR
1/2" [M12] SCREWS

DIGITAL OPERATOR



MODEL # CIMR-ZU	VOLTAGE 3-PHASE (VAC)	OUTPUT CURRENT (A)	WEIGHT LBS (Kg)	WEIGHT WITHOUT EMC FILTER LBS (Kg)	HEAT LOSS (W) (Fc=4kHz)		
					INT	EXT	TOT
4Y0302AXX	380/480*	302	587 (267)	560 (259)	857	5202	6059
4Y0361AXX		361	587 (267)	560 (259)	863	5434	6297
4Y0414AXX		414	587 (267)	560 (259)	1012	6444	7456

NOTES:
Y DENOTES A-Z
XX DENOTES AA-ZZ
* - FOR MODELS WITHOUT INTEGRAL EMC FILTER,
VOLTAGE RATING IS 380/500.

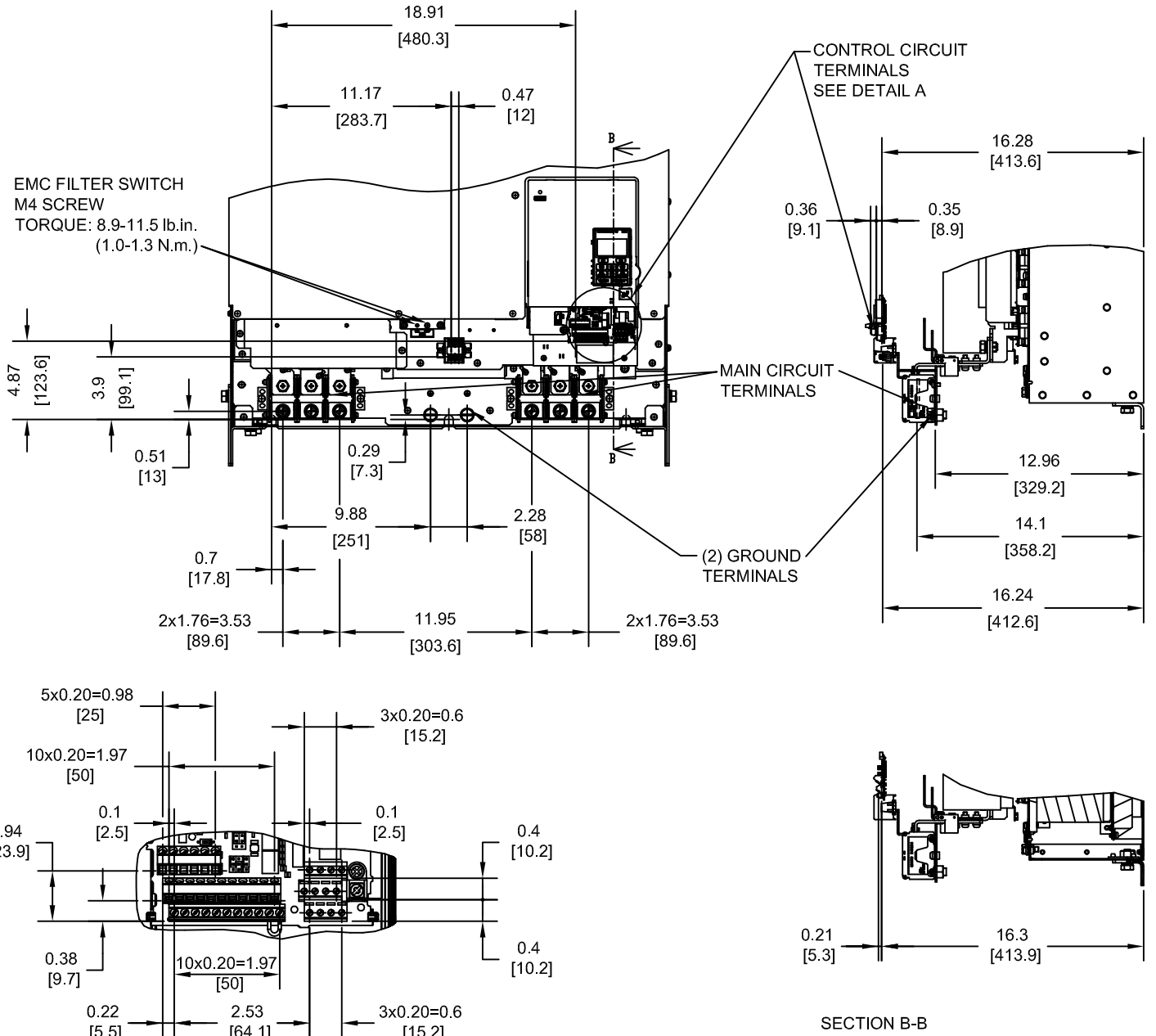
INT=INTERNAL COMPONENTS
EXT=EXTERNAL HEATSINK
TOT=TOTAL

FOR ADDITIONAL DETAILS AND SPECIFICATIONS, CONSULT MANUAL

TOLERANCES / REFERENCES:		<p>THIS DOCUMENT AND INFORMATION CONTAINED IN IT ARE CONFIDENTIAL, AND CANNOT BE COPIED OR DISCLOSED IN WHOLE OR IN PART WITHOUT THE EXPRESS WRITTEN CONSENT OF YASKAWA AMERICA, INC.</p>	DRAWN: J. MATTAS DATE: 12-11-14	TITLE: Z1000U DIMENSION DRAWING FRAME SIZE 5 IP00 ENCLOSURE 4A0302, 4A0361 AND 4A0414
UNITS: IN[mm]			CHECKED: J. PIOTROWSKI DATE: 12-16-14	SIZE: A REVISION: R00 PAGE: 1 of 4
SCALE: 1:20			TECH: J. BORJA DATE: 12-17-14	DRAWING #: DD.Z1KU.FR5.IP00
			APPROVED: J. CAIRO DATE: 2-10-15	

TERMINAL AND WIRING INFORMATION FOR: ZU4A0302AU AND ZU4A0361AU

TERMINAL AND WIRING DETAILS (SCALE 1:10)



DETAIL A (SCALE 1:3)
CONTROL CIRCUIT TERMINALS

TERMINAL AND WIRE SPECIFICATIONS FOR MAIN CIRCUIT AND GROUND

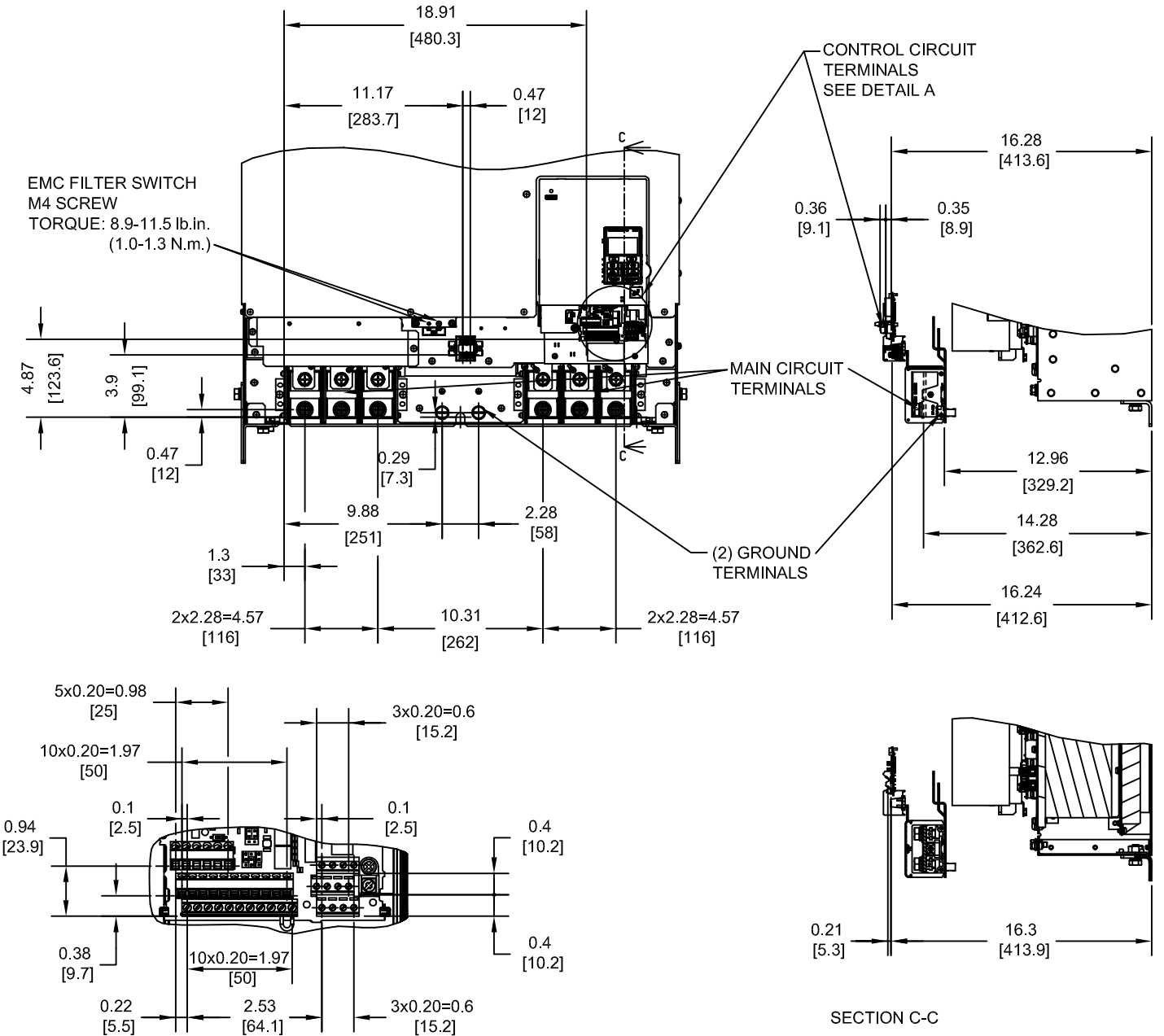
MODEL # CIMR-ZU	TERMINAL SYMBOL	TERMINAL SCREW	CLAMPING TORQUE lb.in.(N.m.)	WIRE RANGE AWG(mm ²)	
4A0302 4A0361	R/L1, S/L2, T/L3	M10	133 TO 177 (15 TO 20)	(2)10 TO 4/0 (6 TO 95)	
	U/T1, V/T2, W/T3				
	p1, n1	M4		10.6 TO 17.7 (1.2 TO 2.0)	14 TO 12 (2.5 TO 4)
	⊕	M12		278 TO 347 (31.4 TO 39.2)	1 TO 300 (35 TO 150)

NOTE: REFER TO APPLICABLE CODES FOR PROPER WIRE TYPE AND SIZE

TOLERANCES / REFERENCES:			DRAWN: J. MATTAS	DATE 12-11-14	TITLE: Z1000U DIMENSION DRAWING FRAME SIZE 5 IP00 ENCLOSURE 4A0302, 4A0361 AND 4A0414		
			CHECKED: J. PIOTROWSKI	DATE 12-16-14	SIZE A	REVISION R00	PAGE 2 of 4
		THIS DOCUMENT AND INFORMATION CONTAINED IN IT ARE CONFIDENTIAL, AND CANNOT BE COPIED OR DISCLOSED IN WHOLE OR IN PART WITHOUT THE EXPRESS WRITTEN CONSENT OF YASKAWA AMERICA, INC.			TECH: J. BORJA	DATE 12-17-14	
UNITS: IN[mm]	SCALE: BY VIEW		APPROVED: J. CAIRO	DATE 2-10-15			DRAWING #: DD.Z1KU.FR5.IP00
			ORIGINAL DESIGN: -	DATE -			

TERMINAL AND WIRING INFORMATION FOR: ZU4A0414AU

TERMINAL AND WIRING DETAILS (SCALE 1:10)



DETAIL A (SCALE 1:3)
CONTROL CIRCUIT TERMINALS

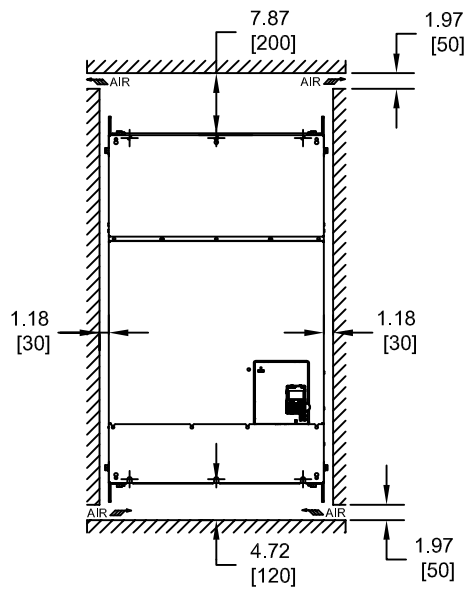
TERMINAL AND WIRE SPECIFICATIONS FOR MAIN CIRCUIT AND GROUND

MODEL # CIMR-ZU	TERMINAL SYMBOL	TERMINAL SCREW	CLAMPING TORQUE lb.in.(N.m.)	WIRE RANGE AWG(mm ²)
4A0414	R/L1, S/L2, T/L3	M12	221 TO 310 (25 TO 35)	(2)8 TO 300 kcmil (10 TO 150)
	U/T1, V/T2, W/T3			
	p1, n1	M4	10.6 TO 17.7 (1.2 TO 2.0)	14 TO 12 (2.5 TO 4)
	⊕	M12	278 TO 347 (31.4 TO 39.2)	1/0 TO 450 (50 TO 240)

NOTE: REFER TO APPLICABLE CODES FOR PROPER WIRE TYPE AND SIZE

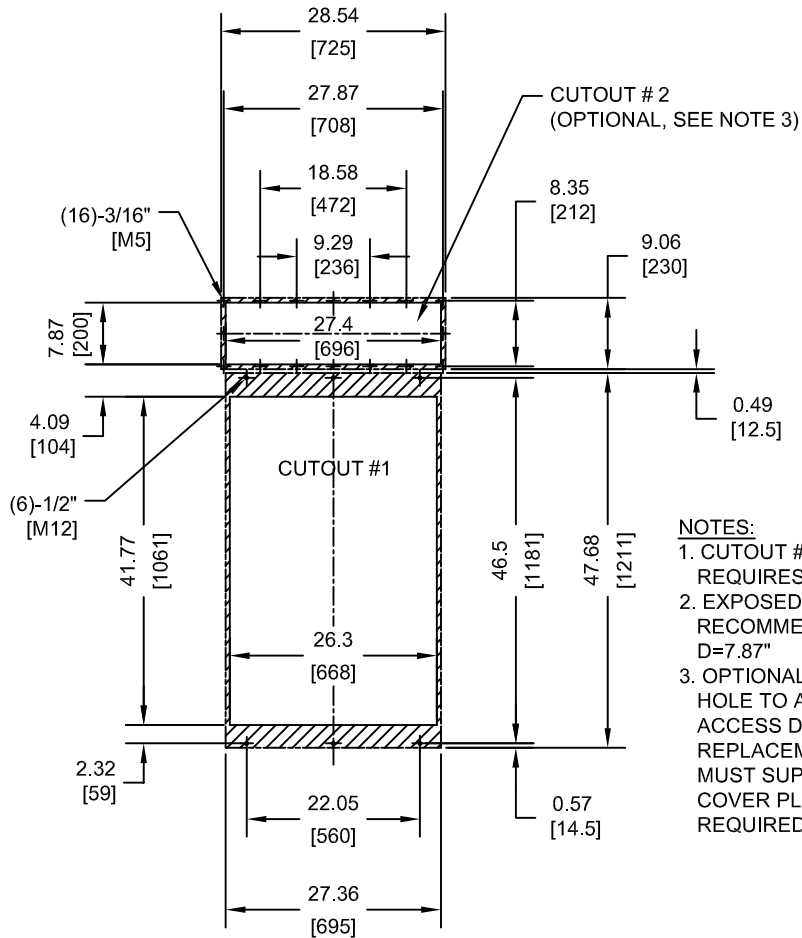
TOLERANCES / REFERENCES:			DRAWN: J. MATTAS	DATE: 12-11-14	TITLE: Z1000U DIMENSION DRAWING FRAME SIZE 5 IP00 ENCLOSURE 4A0302, 4A0361 AND 4A0414			
			CHECKED: J. PIOTROWSKI	DATE: 12-16-14	TECH: J. BORJA	DATE: 12-17-14	SIZE: A	REVISION: R00
		THIS DOCUMENT AND INFORMATION CONTAINED IN IT ARE CONFIDENTIAL, AND CANNOT BE COPIED OR DISCLOSED IN WHOLE OR IN PART WITHOUT THE EXPRESS WRITTEN CONSENT OF YASKAWA AMERICA, INC.			APPROVED: J. CAIRO	DATE: 2-10-15		
UNITS: IN[mm]	SCALE: BY VIEW			ORIGINAL DESIGN: -	DATE: -	DRAWING #: DD.Z1KU.FR5.IP00		

MINIMUM INSTALLATION CLEARANCES (SCALE 1:25)



NOTE:
FOR SIDE-BY-SIDE MOUNTING
CONSULT MANUAL

PANEL CUTOUT FOR EXTERNAL HEATSINK
MOUNTING CONFIGURATION (SCALE 1:25)



NOTES:

- CUTOUT #1: EXTERNAL HEATSINK, REQUIRES MOUNTING KIT
- EXPOSED HEATSINK RECOMMENDED CLEARANCE D=7.87"
- OPTIONAL CUTOUT #2 IS AN ACCESS HOLE TO ALLOW FOR FRONT ACCESS DURING HEATSINK COOLING FAN REPLACEMENT. THE PANEL BUILDER MUST SUPPLY THE APPROPRIATE COVER PLATE AND HARDWARE REQUIRED TO CLOSE THIS OPENING.

FOR ADDITIONAL DETAILS AND SPECIFICATIONS, CONSULT MANUAL

TOLERANCES / REFERENCES:			DRAWN: J. MATTAS CHECKED: J. PIOTROWSKI TECH: J. BORJA APPROVED: J. CAIRO ORIGINAL DESIGN: -	DATE: 12-11-14 DATE: 12-16-14 DATE: 12-17-14 DATE: 2-10-15 DATE: -	TITLE: Z1000U DIMENSION DRAWING FRAME SIZE 5 IP00 ENCLOSURE 4A0302, 4A0361 AND 4A0414
UNITS: IN[mm]	SCALE: BY VIEW		THIS DOCUMENT AND INFORMATION CONTAINED IN IT ARE CONFIDENTIAL, AND CANNOT BE COPIED OR DISCLOSED IN WHOLE OR IN PART WITHOUT THE EXPRESS WRITTEN CONSENT OF YASKAWA AMERICA, INC.	SIZE: A REVISION: R00 DRAWING #: DD.Z1KU.FR5.IP00	PAGE: 4 of 4