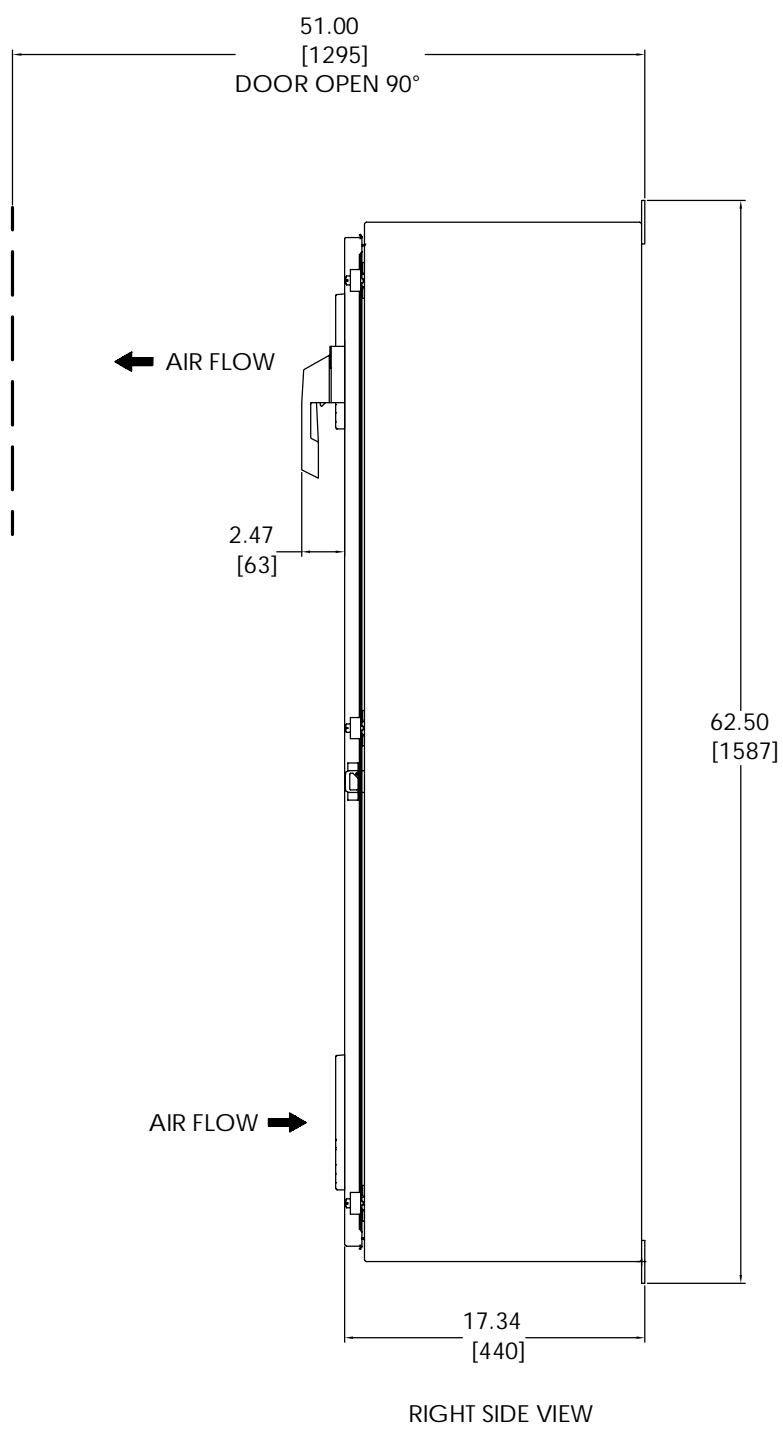
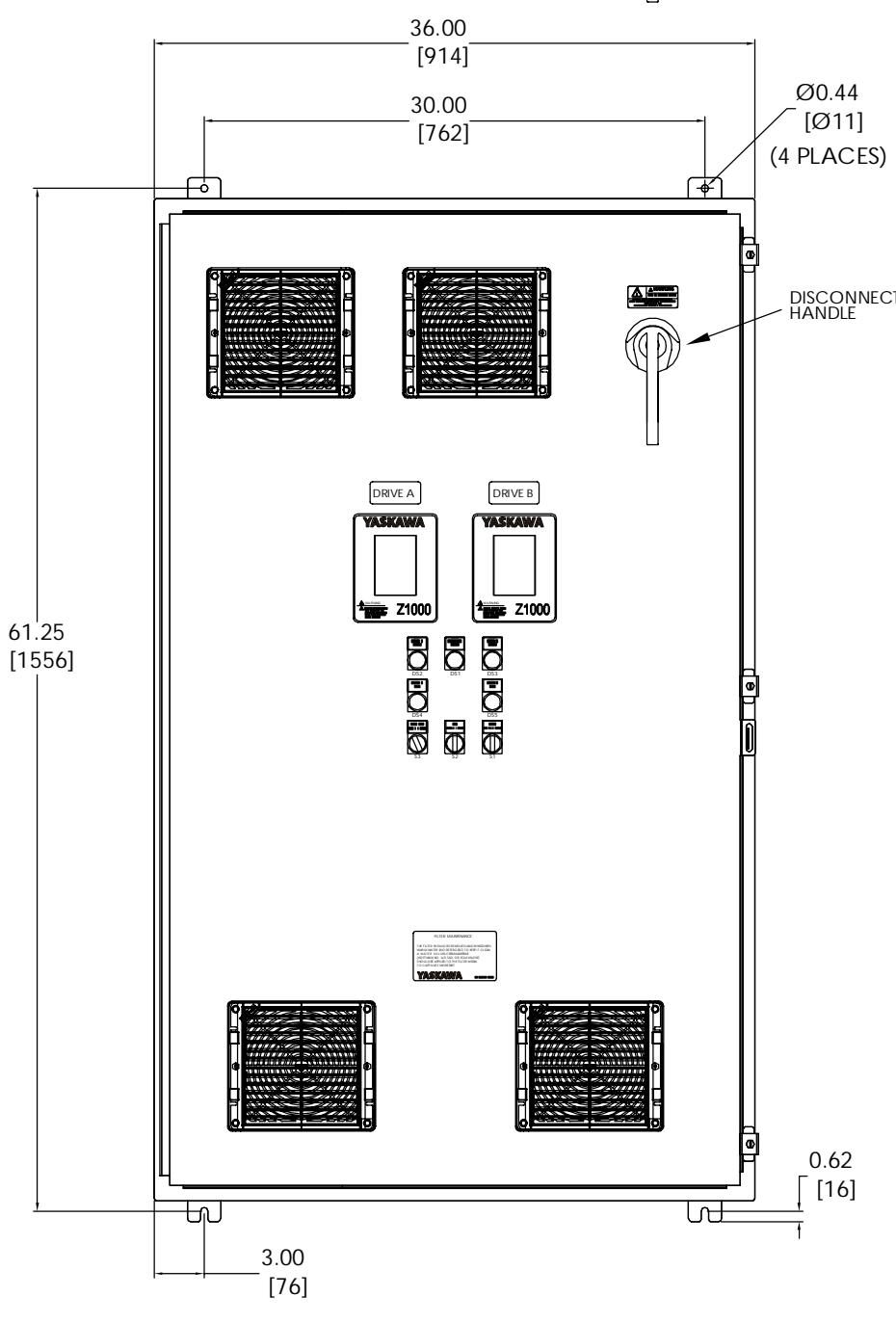
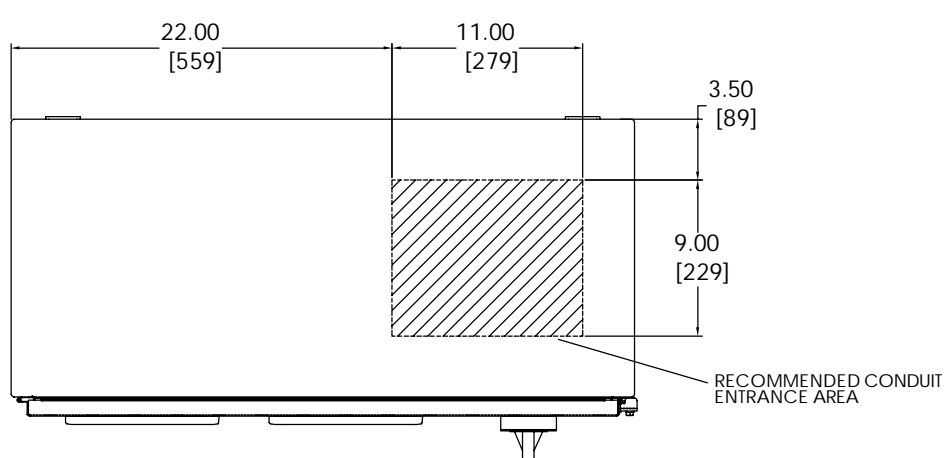
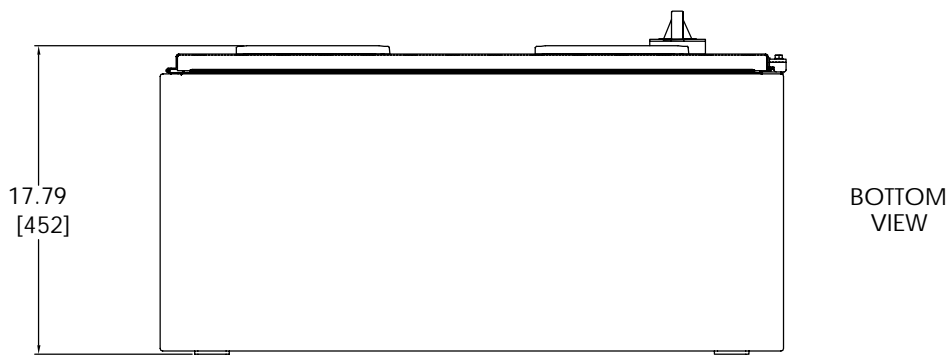


TOP VIEW



RIGHT SIDE VIEW



BOTTOM VIEW

- NOTES:
- A. FOR REFERENCE ONLY UNLESS PROPERLY ENDORSED. FOR ADDITIONAL DETAILS AND SPECIFICATIONS, CONSULT WITH FACTORY.
 - B. DIMENSIONS ARE IN INCHES [MILLIMETERS].
 - C. ALL DIMENSIONS ARE PER LARGEST AVAILABLE OPTIONS.
 - D. FANS, FILTERS, AND/OR CLOSING PLATES ARE SUPPLIED WHEN OPTION MIX NECESSITATES.
 - E. USE APPROPRIATE TYPE RATED HUBS AND/OR FITTINGS TO MAINTAIN ENCLOSURE RATING.

YASKAWA		DRAWN BY:	S.ROBERSON	DATE:	06/29/15	TITLE: DIMENSION DRAWING Z1000 BYPASS REDUNDANT DRIVE, TYPE 1		
		CHECKED:	A.MEILAHN	DATE:	06/30/15			
THIS DOCUMENT AND INFORMATION CONTAINED IN IT ARE CONFIDENTIAL, AND CANNOT BE COPIED OR DISCLOSED IN WHOLE OR IN PART WITHOUT THE EXPRESS WRITTEN CONSENT OF YASKAWA AMERICA INC.		TECH:		DATE:		SIZE:	REVISION:	PAGE:
		APPROVED:	S.ROBERSON	DATE:	06/30/15	C	R00	1 of 1
		ORIGINAL DESIGN:	S.ROBERSON	DATE:	06/29/15	DRAWING #: DD.Z1R1.W2.02		