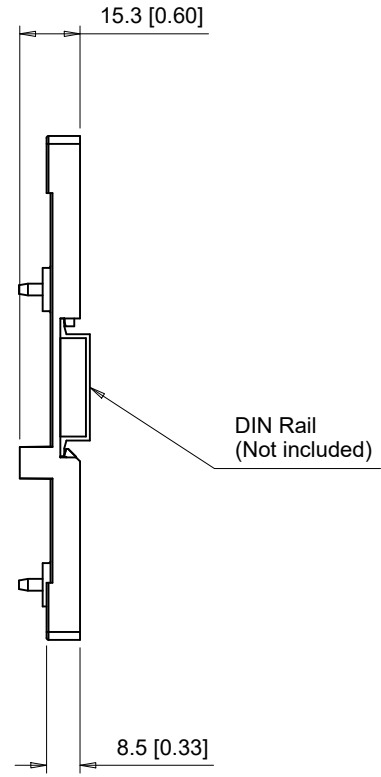
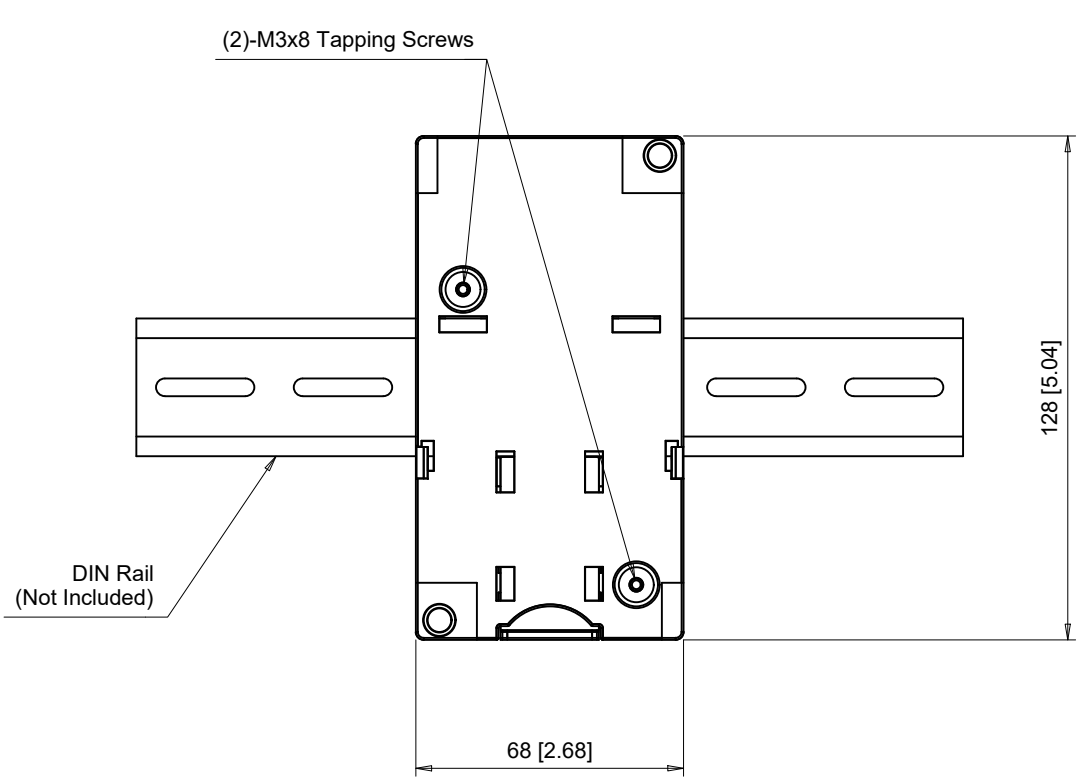


A B C D E F G H I J

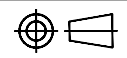
1
2
3
4
5
6
7
8



Model No.: ZPZ-GA50V1

Note: Use 35mm DIN rail

YASKAWA



UNITS MM [IN]
SCALE 1:2

DRWN.	J. MATTAS	12-6-19
CHKD.	J. PIOTROWSKI	12-6-19
TECH.	L. UDDIN	12-9-19
APRV.	J. CAIRO	12-11-19

TITLE
DIMENSION DRAWING
GA500 DIN RAIL ATTACHMENT
FRAME V1

SIZE A PAGE 1 OF 1
DWG.NO.
DD.ZPZ.GA50V1

REV
0