

**CONTROL TRANSFORMER PRIMARY CONNECTIONS**

INPUT VOLTS	TERMINALS	JUMPER LOCATION
230/240	(H1)	(H1) TO (H3)
460/480	(H4)	(H2) TO (H4)
600	(H1)	(H2) TO (H3)

**CONTACT SEQUENCE CHART FOR S2**

CONTACT	POSITION	MANUF. LOCATION / TYPE
1	HAND OFF	1R0
2	X	1L0
3	X	2R0

\* SCHEMATIC SHOWS THIS POSITION.

**CONTACT SEQUENCE CHART FOR S2**

CONTACT	POSITION	MANUF. LOCATION / TYPE
1	HAND OFF	1R0
2	X	1L0
3	X	2L0

\* SCHEMATIC SHOWS THIS POSITION.

**BLOWER MOTOR FOR A1000 CONFIG.**

FLA RATING	AMPS	VOLTS
3.0	2.2 - 360	240
1.5	1.6 - 477	480
3.0	515 - 590	480
1.2	1.3 - 192	600

**YASKAWA**

THIS DOCUMENT AND INFORMATION CONTAINED HEREIN IS CONFIDENTIAL AND CANNOT BE REPRODUCED OR DISCLOSED IN WHOLE OR IN PART WITHOUT THE EXPRESS WRITTEN CONSENT OF YASKAWA AMERICA, INC.

DATE: 9/4/12  
 DRAWING NO.: DS-A1C1.07  
 REVISION: 1 OF 2

**REVISIONS**

REV.	DESCRIPTION	ECO #	DATE	DRAWN BY
04	UPDATE CUSTOMER WIRING TO BOLD LINES	6620	10/07/15	DJP
03	ADD MISSING REF NUMBERS 101... & 201... ON PAGE 1 & 2	6330	6/12/15	DJP

**SCHEMATIC DIAGRAM A1000 CONFIG TYPE 1 HEAVY DUTY RATING WITH OPTION PJ**

DATE: 9/4/12  
 DRAWING NO.: DS-A1C1.07  
 REVISION: 1 OF 2

**OPTION TV 120VAC INTERFACE**

TERMINAL	DESCRIPTION
S1	12.5 mA PER S-INPUT
S2	12.5 mA PER S-INPUT
S3	12.5 mA PER S-INPUT
S4	12.5 mA PER S-INPUT
S5	12.5 mA PER S-INPUT
S6	12.5 mA PER S-INPUT
S7	12.5 mA PER S-INPUT
S8	12.5 mA PER S-INPUT
S9	12.5 mA PER S-INPUT
X2	12.5 mA PER S-INPUT
X2	12.5 mA PER S-INPUT

**OPTION TY HAND-OFF-AUTO SWITCH**

CONTACT	POSITION	MANUF. LOCATION / TYPE
1	HAND OFF	1R0
2	X	1L0
3	X	2L0

**OPTION TB BLOWER MOTOR STARTER**

CONTACT	POSITION	MANUF. LOCATION / TYPE
1	HAND OFF	1R0
2	X	1L0
3	X	2L0

**OPTION PH 3% LOAD REACTOR**

TERMINAL	DESCRIPTION
T1	LINE
T2	LINE
T3	LINE
F1	FUSE
F2	FUSE
F3	FUSE
F4	FUSE
F5	FUSE
W1	WINDING
W2	WINDING
W3	WINDING
W4	WINDING
W5	WINDING
W6	WINDING
W7	WINDING
W8	WINDING
W9	WINDING
W10	WINDING

**OPTION PF DRIVE INPUT FUSES**

TERMINAL	DESCRIPTION
F1	FUSE
F2	FUSE
F3	FUSE
F4	FUSE
F5	FUSE

**OPTION PR 3% INPUT REACTOR**

TERMINAL	DESCRIPTION
R1	REACTOR
R2	REACTOR
R3	REACTOR
R4	REACTOR
R5	REACTOR
R6	REACTOR
R7	REACTOR
R8	REACTOR
R9	REACTOR
R10	REACTOR

**OPTION PN DELTA-WYE CAPACITIVE INPUT FILTER**

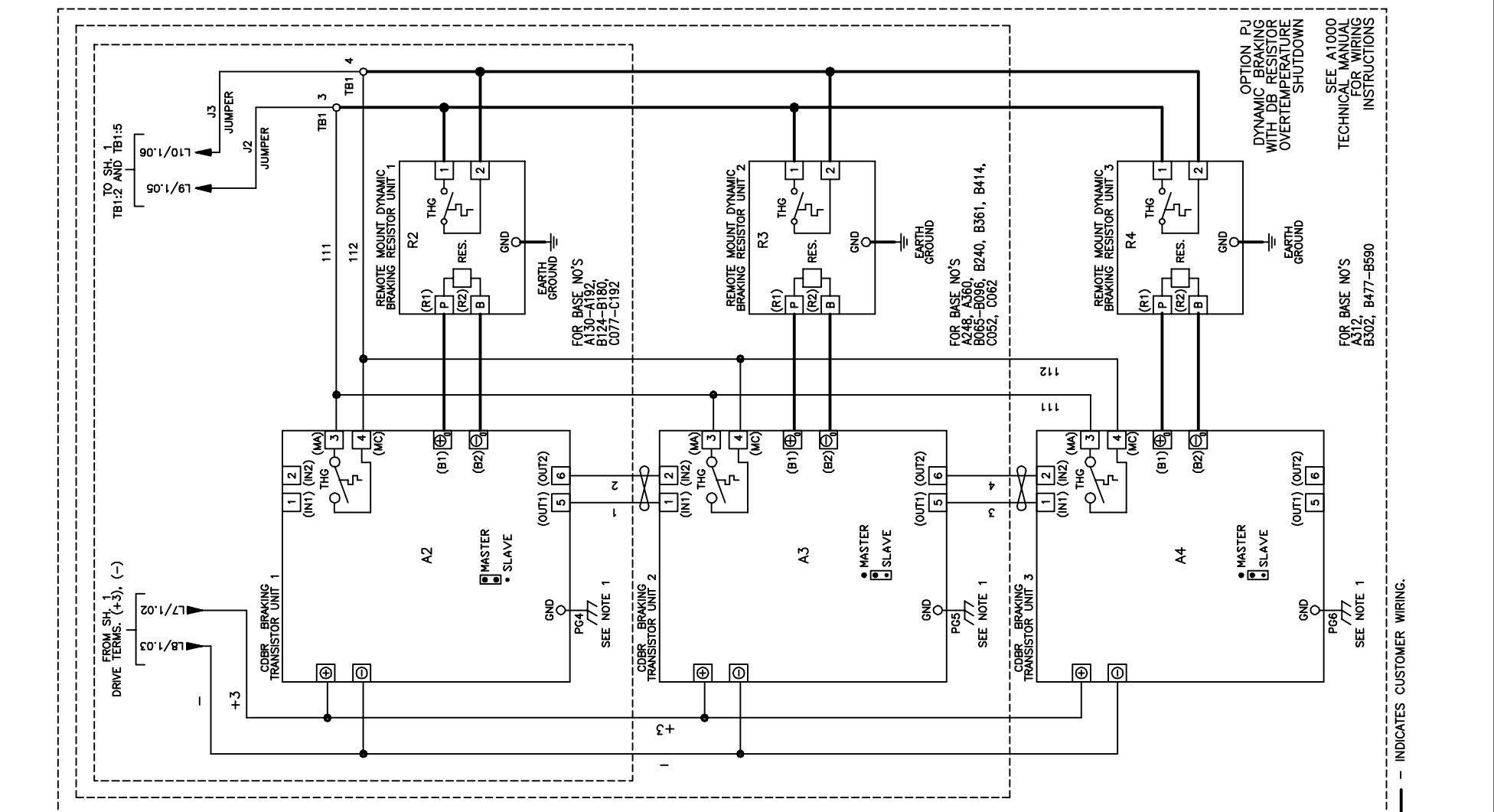
TERMINAL	DESCRIPTION
P1	INPUT
P2	INPUT
P3	INPUT
P4	INPUT
P5	INPUT
P6	INPUT
P7	INPUT
P8	INPUT
P9	INPUT
P10	INPUT

**OPTION PJ DYNAMIC BRAKING WITH DB RESISTOR**

TERMINAL	DESCRIPTION
J1	JUMPER
J2	JUMPER
J3	JUMPER
J4	JUMPER
J5	JUMPER
J6	JUMPER
J7	JUMPER
J8	JUMPER
J9	JUMPER
J10	JUMPER

101 102 103 104 105 106 107 108 109 110 111 112 113 114 115 116 117 118 119 120 121 122 123 124 125 126 127 128 129 130 131 132 133 134 135 136 137 138 139 140 141

A B C D E F G H J K



- NOTES:**
- CONNECTED TO THE CABINET. CUSTOMER TO CONNECT THE CABINET GROUND LUG TO EARTH GROUND.
  - CONDUIT FITTINGS/HUBS SHALL COMPLY WITH THE 'STANDARD FOR CONDUIT, TUBING, AND CABLE FITTINGS, UL 514B' OR CONDUIT FITTINGS HAVING THE SAME ENVIRONMENTAL RATING AS THE ENCLOSURE SHALL BE USED.
  - INSULATED TWISTED SHIELDED WIRE IS REQUIRED. SHIELD TO CONNECT TO PROPER TERMINALS AS SHOWN. CONNECT THE SHIELD ONLY AT THIS END. STUB AND ISOLATE THE OTHER END. DO NOT RUN THESE WIRES IN THE SAME CONDUIT AS THE AC POWER AND AC CONTROL WIRES. KEEP ALL WIRING UNDER 50m IN LENGTH.
  - FOR A CONTROL TRANSFORMER T1, POWER RATING OF 350VA OR GREATER, SECONDARY FUSE F6 IS ADDED.
  - CUSTOMER TO REMOVE JUMPERS J1 AND J4 FOR WIRING TO EXTERNAL CONTROL LOGIC, IF APPLICABLE.
  - IF AC MOTOR IS FURNISHED WITH A N.C. THERMAL SWITCH THEN SET DRIVE PARAMETER H1-08 TO 27. THIS WILL CAUSE THE DRIVE TO COAST TO STOP UPON A AC MOTOR THERMAL FAULT. ALONG WITH THIS, ADD THE FOLLOWING CUSTOMER WIRING:  
WIRE THE N.C. THERMAL SWITCH BETWEEN TERMINAL S8 OF THE 120VAC INTERFACE CARD AND ONE SIDE OF THE 120VAC SOURCE.
  - CUSTOMER MUST PROVIDE PROPER SHORT CIRCUIT PROTECTION AND MEANS OF DISCONNECT.
  - OPTIONS\_ID\_IG\_TH\_OR\_IQ\_CONTROL (SEE UDE00337 FOR MORE INFORMATION):  
OPTION TD = ETHERNET/IP  
OPTION TG = DEVICENET  
OPTION TH = PROFIBUS  
OPTION TQ = ETHERNET MODBUS TCP/IP

<b>YASKAWA</b>		DATE	9/4/12	TITLE	SCHEMATIC DIAGRAM
DRAWN BY	K. MALUSIC	DATE	9/4/12	DATE	9/4/12
CHECKED	D.R. CMELAK	DATE	9/4/12	DATE	9/4/12
TECH		DATE		DATE	
PROVISED BY	K. FLIERL	DATE	9/4/12	DATE	9/4/12
APPROVED BY		DATE		DATE	
OFF-YASKAWA AMERICA, INC.	D.R. CMELAK	DATE	9/4/12	DATE	9/4/12
		SIZE	D	SIZE	D
		REVISION #	04	REVISION #	04
		DRAWING #		DRAWING #	
		PAGE		PAGE	
		2 of 2		2 of 2	
		DS-A1C1.07		DS-A1C1.07	