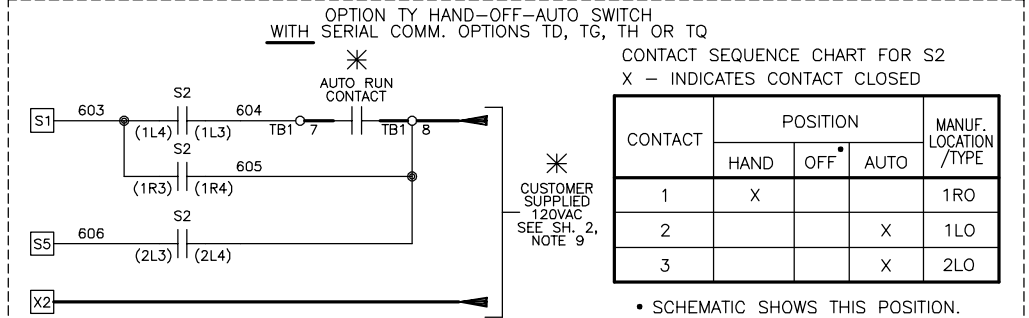
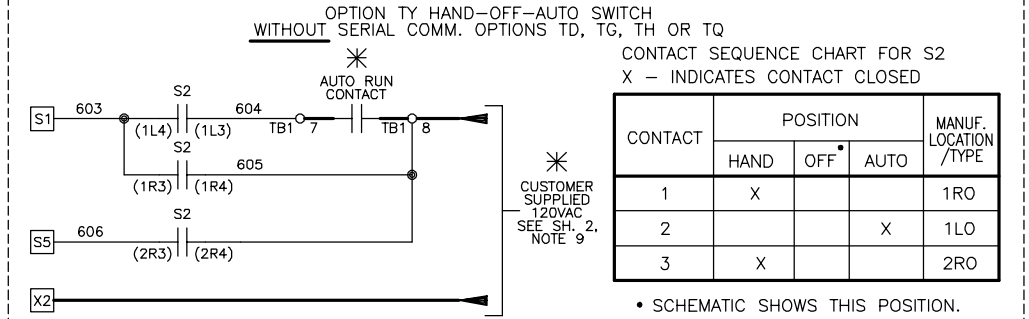
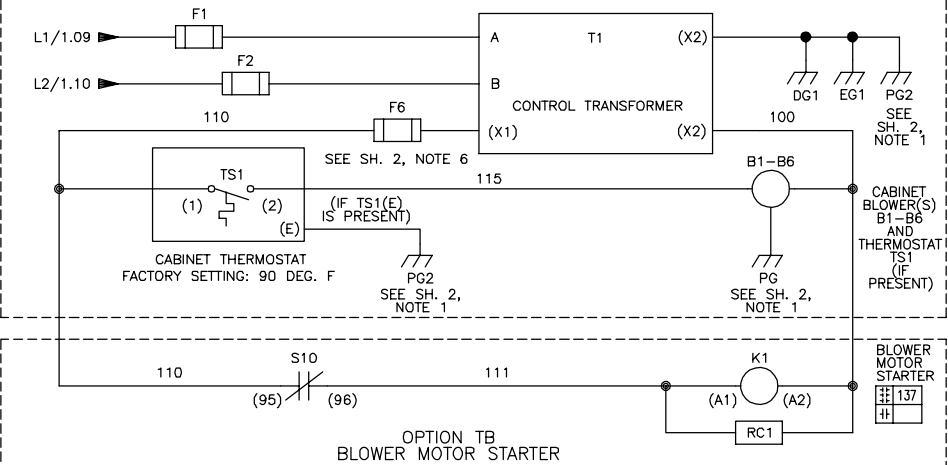


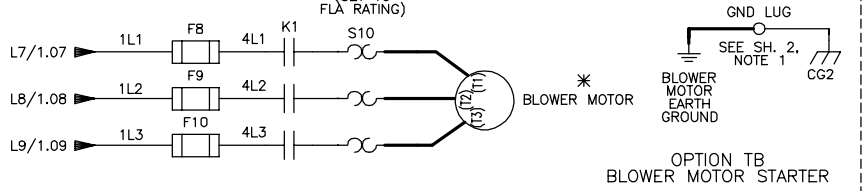
CONTROL TRANSFORMER PRIMARY CONNECTIONS

INPUT VOLTS	TERMINALS		JUMPER LOCATION
	A	B	
230/240	(H1)	(H4)	(H1) TO (H3) (H2) TO (H4)
460/480	(H1)	(H4)	(H2) TO (H3)
600	(H1)	(H2)	NONE



BLOWER MOTOR

FLA RATING	FOR A1000 CONFIG. AMPS	VOLTS
3.0	2.2 - 360	240
1.5	1.6 - 477	480
3.0	515 - 660	480
1.2	1.3 - 242	600



* - INDICATES COMPONENTS NOT SUPPLIED BY YASKAWA.
 - - INDICATES CUSTOMER WIRING.
 SEE SHEET 2 FOR NOTES.
 SEE DRAWING UDE00431 FOR CUSTOMER CONNECTIONS.
 SEE DRAWING UDE00337 FOR DRIVE PARAMETER SETTINGS.

REVISIONS

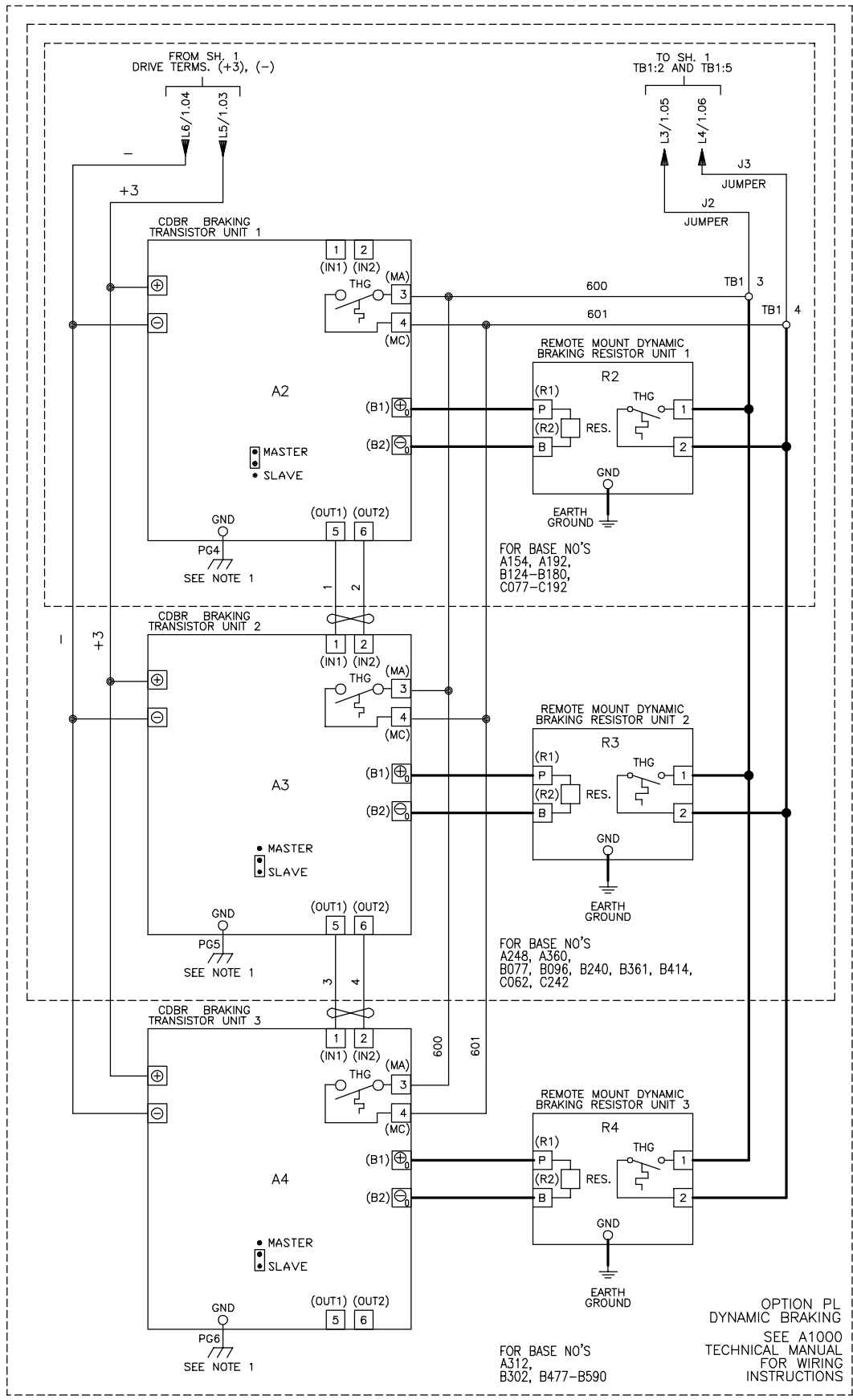
REV.	DESCRIPTION	ECO #	DRAWN BY	DATE
01	S3 DEFAULT SINK MODE	10353	KG	06/30/20
00	INITIAL RELEASE	---	RCR	01/02/2018

YASKAWA

THIS DOCUMENT AND INFORMATION CONTAINED IN IT ARE CONFIDENTIAL, AND CANNOT BE COPIED OR DISCLOSED IN WHOLE OR IN PART WITHOUT THE EXPRESS WRITTEN CONSENT OF YASKAWA AMERICA INC.

DRAWN BY: R. ROH	DATE: 12/22/17	TITLE: SCHEMATIC DIAGRAM
CHECKED: N. LAWS	DATE: 01/02/18	A1000 CONFIGURED
APPROVED: K. FLIERL	DATE: 01/02/18	NORMAL DUTY RATING
ORIGINAL DESIGN: R. ROH	DATE: 12/22/17	TYPE 1

SIZE: D REVISION: 01 PAGE: 1 of 2
 DRAWING #: DS.A1C1.17



NOTES:

- CONNECTED TO THE CABINET. CUSTOMER TO CONNECT THE CABINET GROUND LUG TO EARTH GROUND.
- CONDUIT FITTINGS/HUBS SHALL COMPLY WITH THE 'STANDARD FOR CONDUIT, TUBING, AND CABLE FITTINGS, UL 514B', OR CONDUIT FITTINGS HAVING THE SAME ENVIRONMENTAL RATING AS THE ENCLOSURE SHALL BE USED.
- WITHOUT THE CIRCUIT BREAKER (OPTION PC OR PE), OR DISCONNECT SWITCH OPTION PD, THE DISCONNECT MEANS MUST BE SUPPLIED BY THE CUSTOMER.
- BRANCH CIRCUIT PROTECTION TO BE SUPPLIED BY THE CUSTOMER WHEN NOTED ON THE CABINET DATA NAMEPLATE.
- INSULATED TWISTED SHIELDED WIRE IS REQUIRED. SHIELD TO CONNECT TO PROPER TERMINALS AS SHOWN. CONNECT THE SHIELD ONLY AT THIS END. STUB AND ISOLATE THE OTHER END. DO NOT RUN THESE WIRES IN THE SAME CONDUIT AS THE AC POWER AND AC CONTROL WIRES. KEEP ALL WIRING UNDER 50m IN LENGTH.
- FOR A CONTROL TRANSFORMER T1 POWER RATING OF 350VA OR GREATER, SECONDARY FUSE F6 IS ADDED.
- CUSTOMER TO REMOVE JUMPERS J2 AND J3 FOR WIRING TO EXTERNAL CONTROL LOGIC, IF APPLICABLE.
- IF AC MOTOR IS FURNISHED WITH A N.C. THERMAL SWITCH THEN SET DRIVE PARAMETER H1-08 TO 27. THIS WILL CAUSE THE DRIVE TO COAST TO STOP UPON A AC MOTOR THERMAL FAULT. ALONG WITH THIS, ADD THE FOLLOWING CUSTOMER WIRING: WIRE THE N.C. THERMAL SWITCH BETWEEN TERMINAL SB OF THE 120VAC INTERFACE CARD AND ONE SIDE OF THE 120VAC SOURCE.
- CUSTOMER MUST PROVIDE PROPER SHORT CIRCUIT PROTECTION AND MEANS OF DISCONNECT.
- OPTIONS TD, TG, TH OR TQ CONTROL (SEE UDE00337 FOR MORE INFORMATION):

- OPTION TD = ETHERNET/IP
- OPTION TG = DEVICENET
- OPTION TH = PROFIBUS
- OPTION TQ = ETHERNET MODBUS TCP/IP

YASKAWA	DRAWN BY:	R. ROH	DATE:	12/22/17	TITLE:	SCHEMATIC DIAGRAM				
	CHECKED:	N. LAWS	DATE:	01/02/18		A1000 CONFIGURED NORMAL DUTY RATING TYPE1				
THIS DOCUMENT AND INFORMATION CONTAINED IN IT ARE CONFIDENTIAL, AND CANNOT BE COPIED OR DISCLOSED IN WHOLE OR IN PART WITHOUT THE EXPRESS WRITTEN CONSENT OF YASKAWA AMERICA INC.	TECH:		DATE:		SIZE:	D	REVISION:	01	PAGE:	2 of 2
	APPROVED:	K. FLIERL	DATE:	01/02/18	DATE:		DATE:		DRAWING #:	
	ORIGINAL DESIGNER:	R. ROH	DATE:	12/22/17	DATE:		DATE:		DRAWING #:	DS.A1C1.17