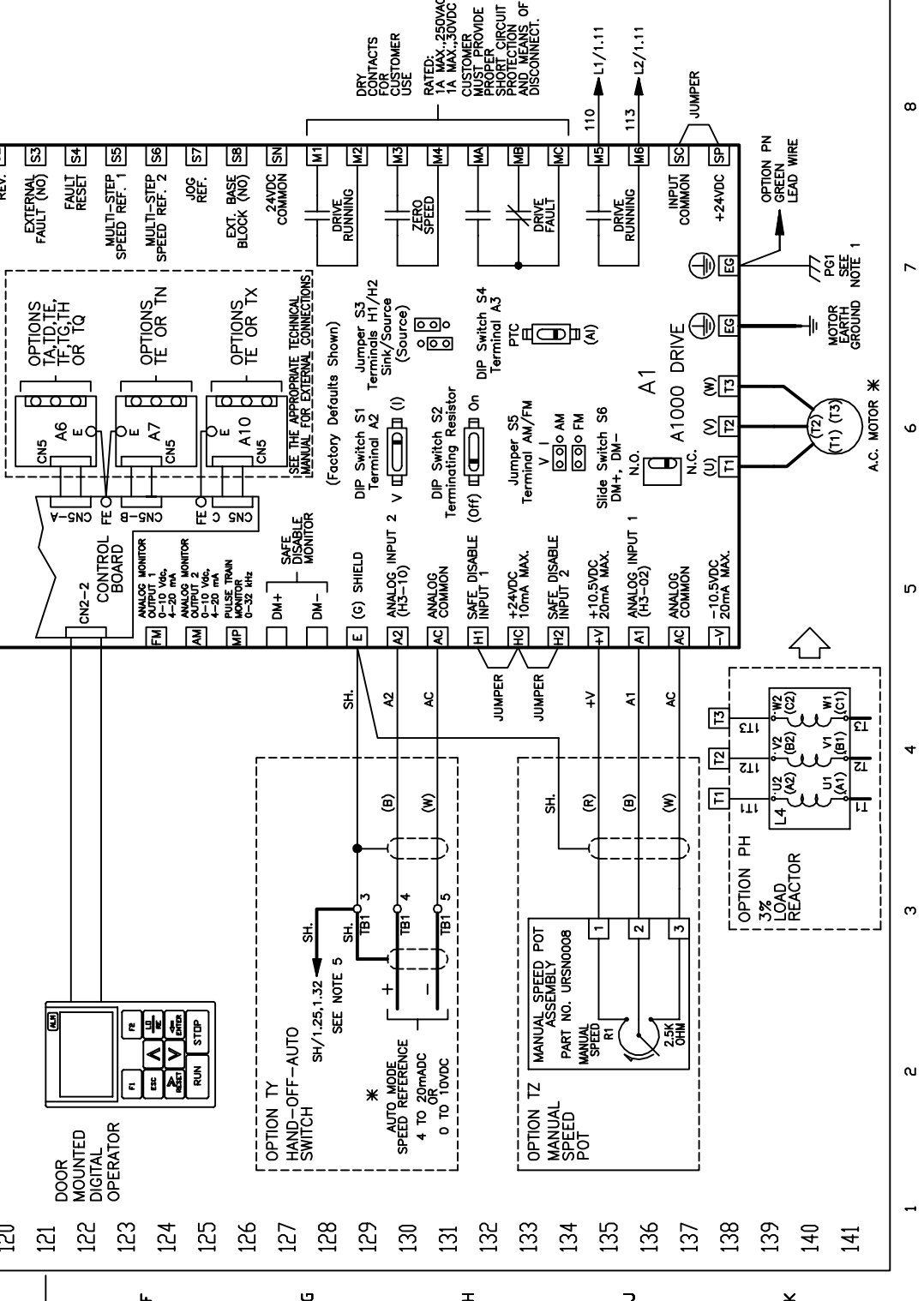
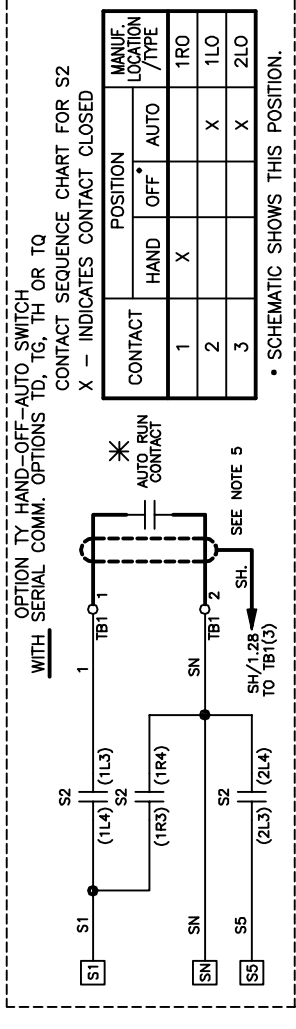
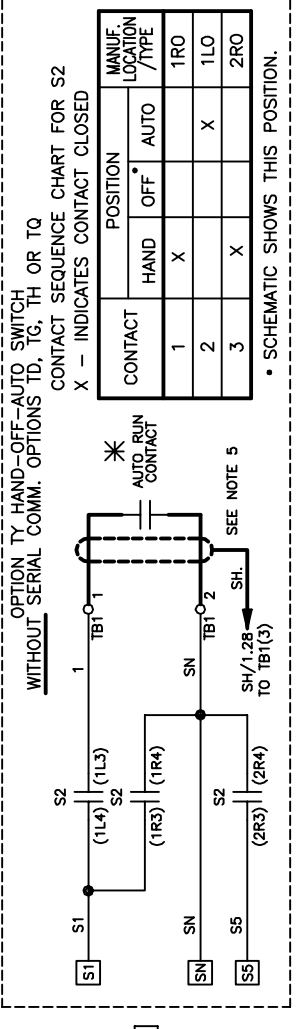
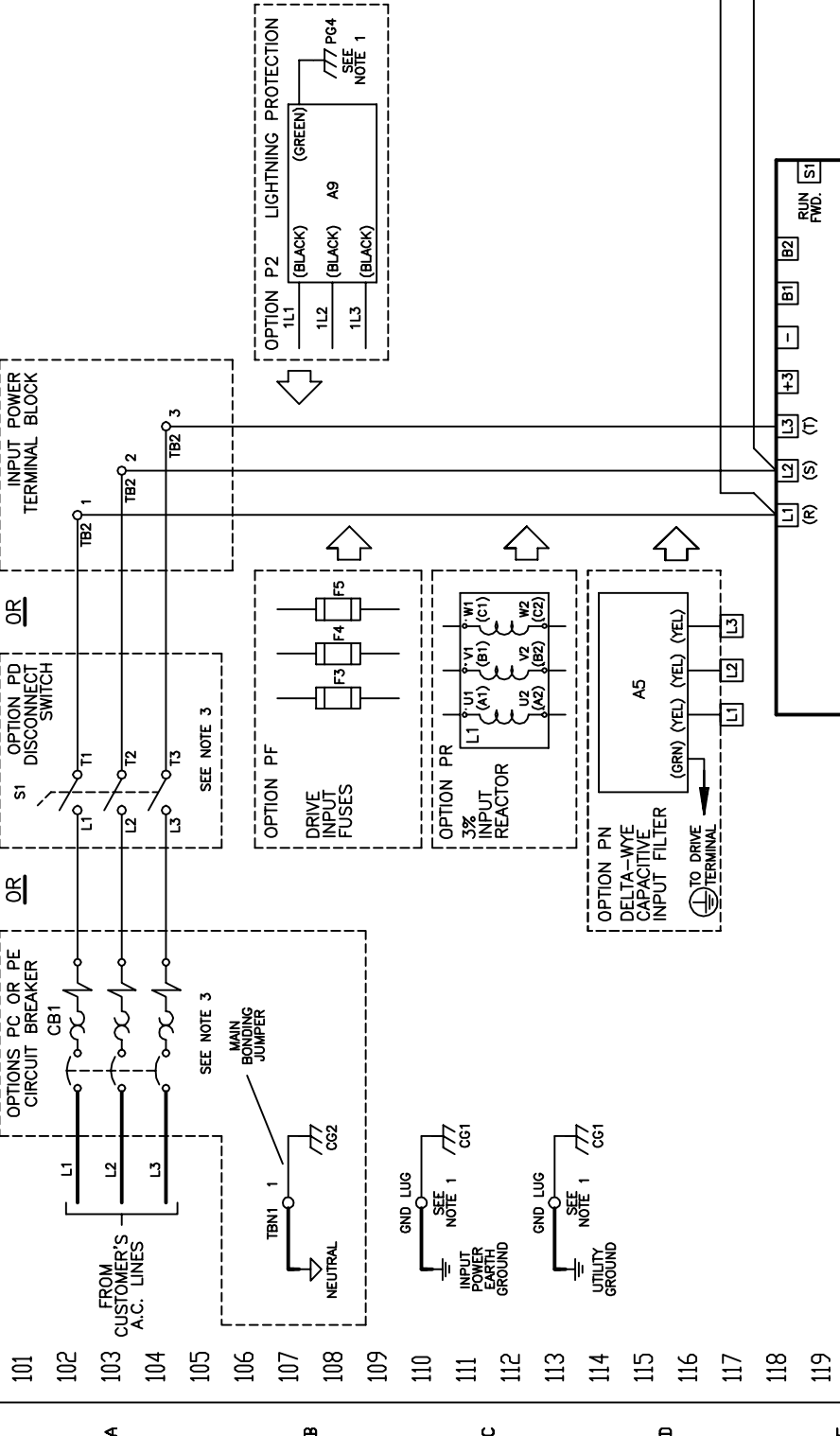
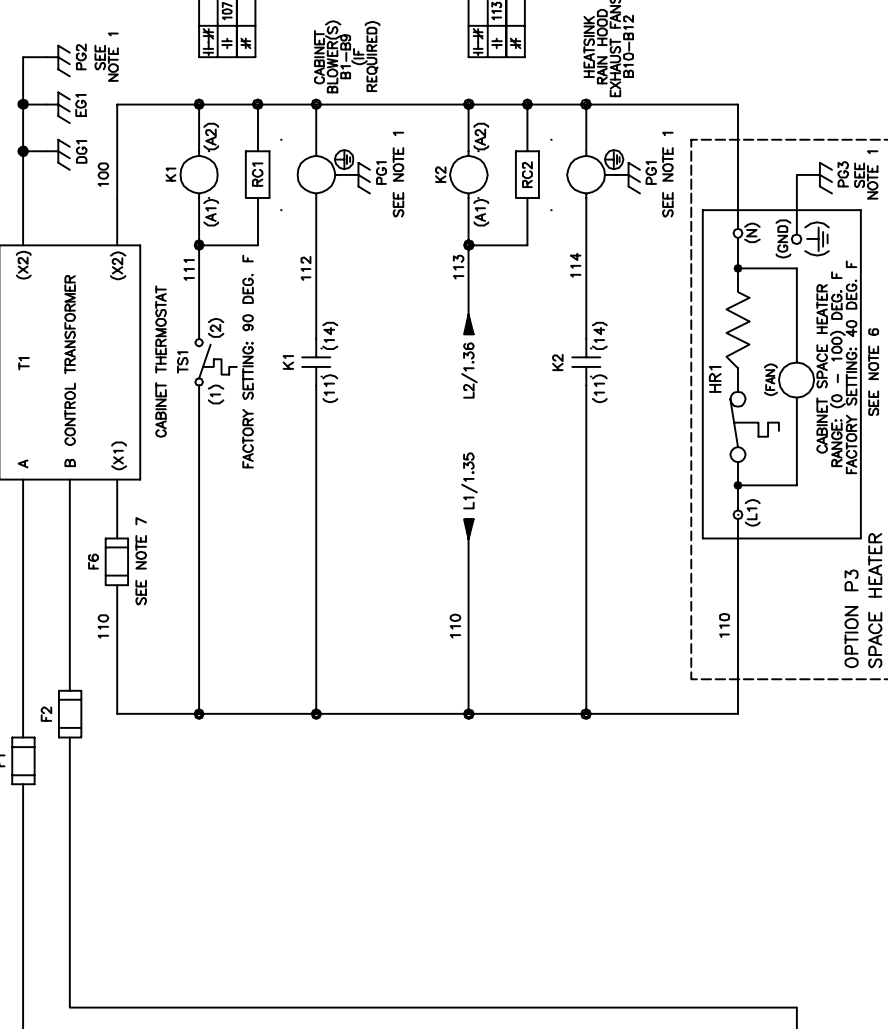


| CONTROL TRANSFORMER PRIMARY CONNECTIONS | | |
|---|-----------|------|
| INPUT VOLTS | TERMINALS | |
| | A | B |
| 230/240 | (H1) | (H4) |
| 460/480 | (H1) | (H4) |
| 600 | (H1) | (H2) |
| | | NONE |



NOTES:

- CONNECT TO THE CABINET. CUSTOMER TO CONNECT THE CABINET GROUND LUGS TO EARTH GROUND AND UTILITY GROUND.
- CONDUIT FITTINGS/HUBS SHALL COMPLY WITH THE STANDARD FOR CONDUIT, TUBING, AND CABLE FITTINGS, UL 514B OR CONDUIT FITTINGS HAVING THE SAME ENVIRONMENTAL RATING AS ENCLOSURE SHALL BE USED.
- WITHOUT THE CIRCUIT BREAKER (OPTION PC OR PE), OR DISCONNECT SWITCH (OPTION PD), THE DISCONNECT MEANS MUST BE SUPPLIED BY THE CUSTOMER.
- BRANCH CIRCUIT PROTECTION TO BE SUPPLIED BY THE CUSTOMER WHEN NOTED ON THE CABINET DATA NAMEPLATE.
- INSULATED TWISTED SHIELDED WIRE IS REQUIRED. SHIELD TO CONNECT TO PROPER TERMINALS AS SHOWN. STUB AND ISOLATE THE OTHER END. DO NOT RUN THESE WIRES IN THE SAME CONDUIT AS THE AC POWER AND AC CONTROL WIRES. KEEP ALL WIRING UNDER 50m IN LENGTH.
- CUSTOMER TO ADJUST THE THERMOSTAT ON THE SPACE HEATER HR1 FOR THE MINIMUM DESIRED TEMPERATURE INSIDE THE DRIVE CABINET. THIS SET POINT TEMPERATURE IS NORMALLY SELECTED TO BE SLIGHTLY HIGHER THAN THE MINIMUM AMBIENT TEMPERATURE OF THE AIR SURROUNDING THE CABINET. AND IS THE TEMPERATURE AT WHICH THE SPACE HEATER HR1 WILL SHUT OFF.
- FOR A CONTROL TRANSFORMER T1 POWER RATING OF 350VA OR GREATER, SECONDARY FUSE F6 IS ADDED.
- IF AC MOTOR IS FURNISHED WITH A N.C. THERMAL SWITCH THEN SET DRIVE PARAMETER H1-08 TO 27. THIS WILL CAUSE THE DRIVE TO COAST TO STOP UPON AN AC MOTOR THERMAL FAULT. ALONG WITH THIS, ADD THE FOLLOWING CUSTOMER WIRING: WIRE THE N.C. THERMAL SWITCH BETWEEN DRIVE TERMINALS S8 AND SN, AS PER NOTE 5 ABOVE.
- OPTIONS TD, TG, TH OR TQ CONTROL (SEE UDE00388 FOR MORE INFORMATION)

YASKAWA

THIS DOCUMENT AND INFORMATION CONTAINED HEREIN IS CONFIDENTIAL AND CANNOT BE COPIED OR DISCLOSED IN WHOLE OR IN PART WITHOUT THE EXPRESS WRITTEN CONSENT OF YASKAWA AMERICA, INC.

| REV. | DESCRIPTION | ECO # | DATE | DATE | BY |
|------|---|-------|----------|------|-----|
| 04 | UPDATE CUSTOMER CONNECTIONS TO BOLD LINES | 6620 | 10/07/15 | | DJP |
| 03 | ADDED FM, AM, MP TERMINALS TO DRIVE | 6422 | 07/17/15 | | DJP |

| REV. | DESCRIPTION | ECO # | DATE | DATE | BY |
|------|---|-------|----------|------|-----|
| 04 | UPDATE CUSTOMER CONNECTIONS TO BOLD LINES | 6620 | 10/07/15 | | DJP |
| 03 | ADDED FM, AM, MP TERMINALS TO DRIVE | 6422 | 07/17/15 | | DJP |

| REV. | DESCRIPTION | ECO # | DATE | DATE | BY |
|------|---|-------|----------|------|-----|
| 04 | UPDATE CUSTOMER CONNECTIONS TO BOLD LINES | 6620 | 10/07/15 | | DJP |
| 03 | ADDED FM, AM, MP TERMINALS TO DRIVE | 6422 | 07/17/15 | | DJP |

SCHEMATIC DIAGRAM
A1000 CONFIGURED
HEAVY DUTY RATING
TYPE 3R