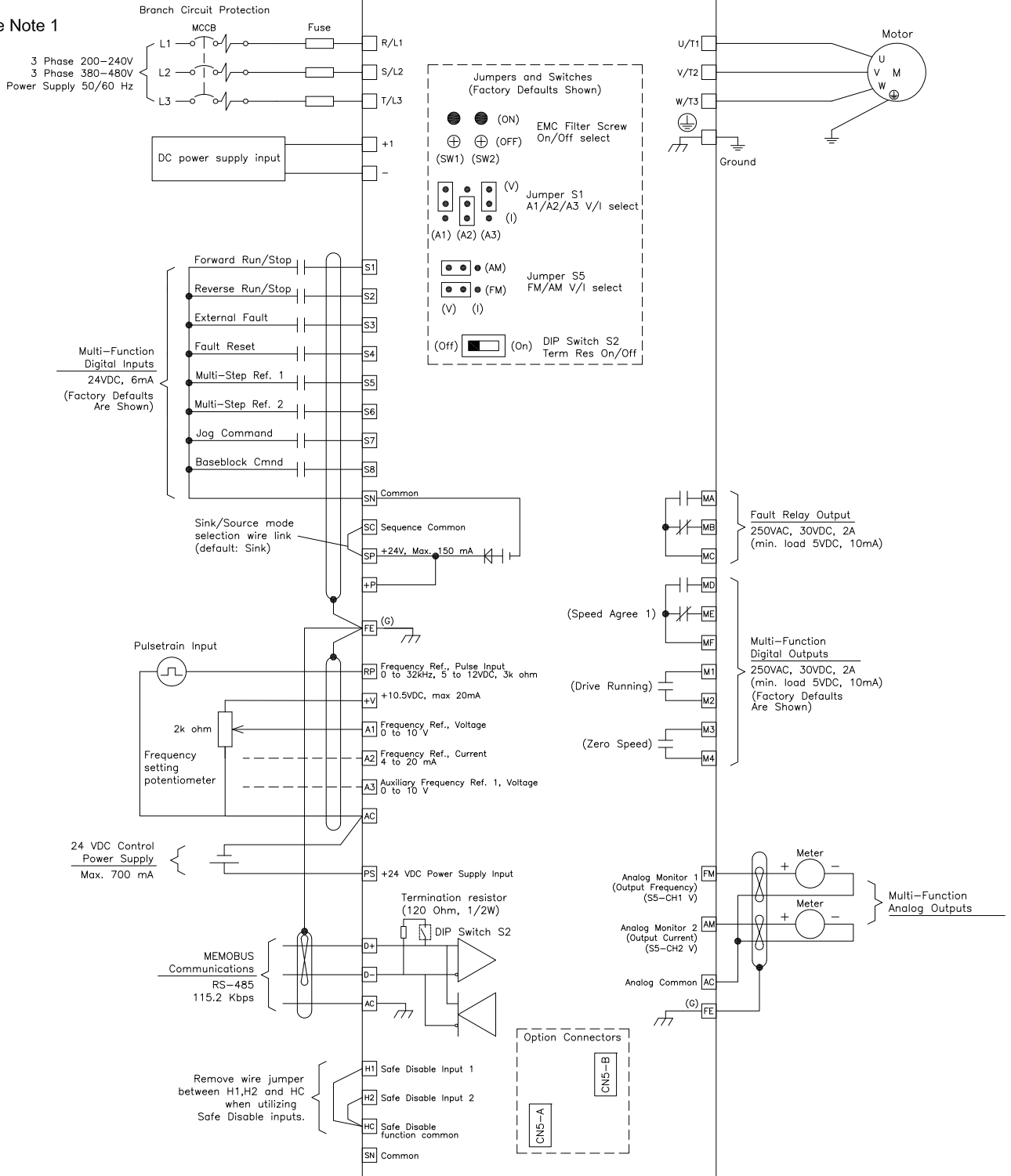


# FP605 Without Main Switch

See Note 1



Note 1: For single phase input applications, consult installation manual for details.

Note: Refer to technical manual for further details.

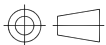
**YASKAWA**

DRWN.	J. MATTAS	3-7-22
CHKD.	J. PIOTROWSKI	3-14-22
TECH.	M. BAUMGARDNER	3-15-22
APRV.	J. CAIRO	3-15-22

TITLE  
FP605 DRIVE  
STANDARD CONNECTION DIAGRAM

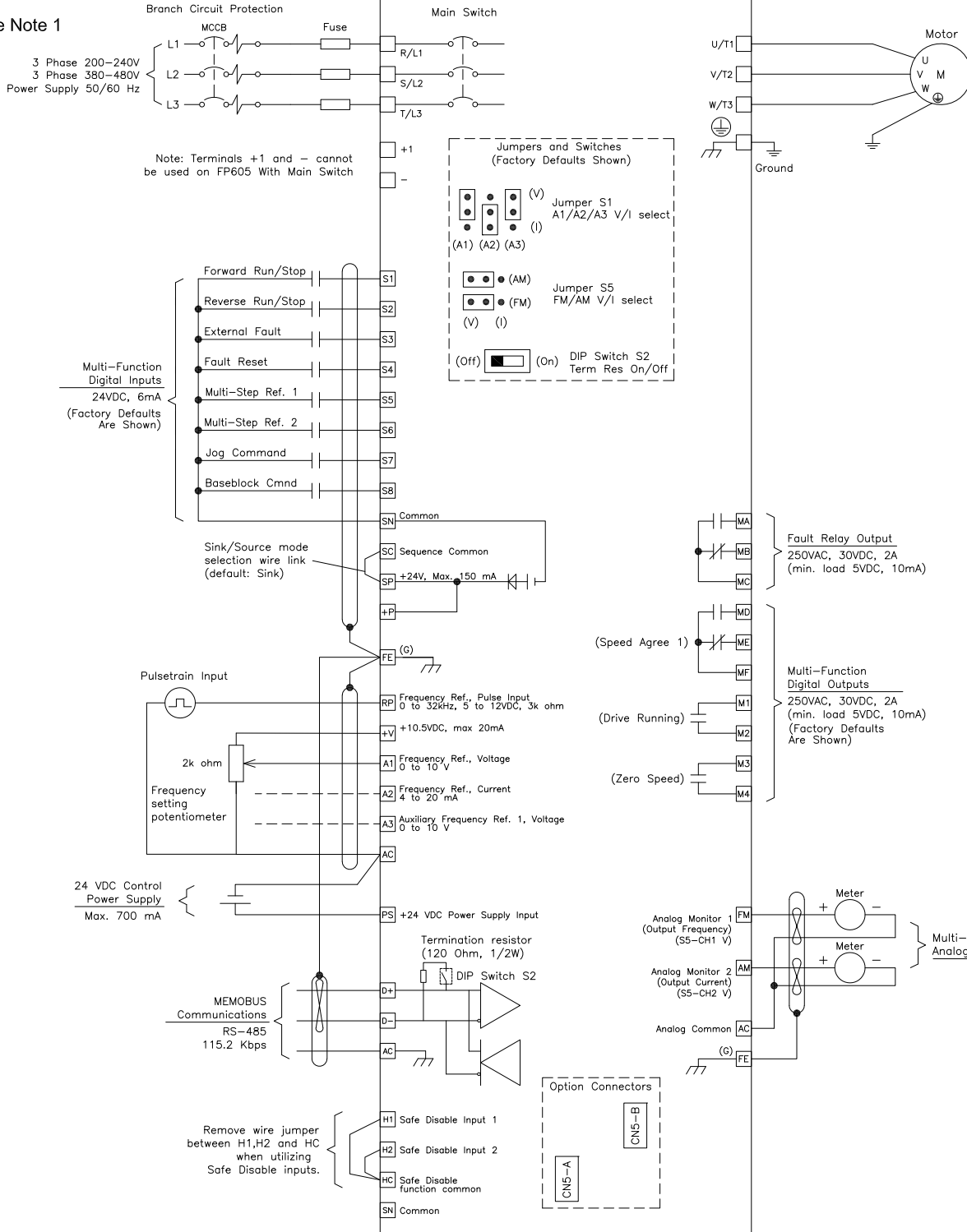
SIZE	A	PAGE	1 OF 2	REV
DWG.NO.	DS.FP605.01			0

UNITS -  
SCALE -



# FP605 With Main Switch

See Note 1



Note 1: For single phase input applications, consult installation manual for details.

Note: Refer to technical manual for further details.

**YASKAWA**

DRWN.	J. MATTAS	3-7-22
CHKD.	J. PIOTROWSKI	3-14-22
TECH.	M. BAUMGARDNER	3-15-22
APRV.	J. CAIRO	3-15-22

TITLE  
 FP605 DRIVE  
 STANDARD CONNECTION DIAGRAM

SIZE	A	PAGE	2 OF 2	REV
DWG.NO.	DS.FP605.01			0

UNITS	-
SCALE	-