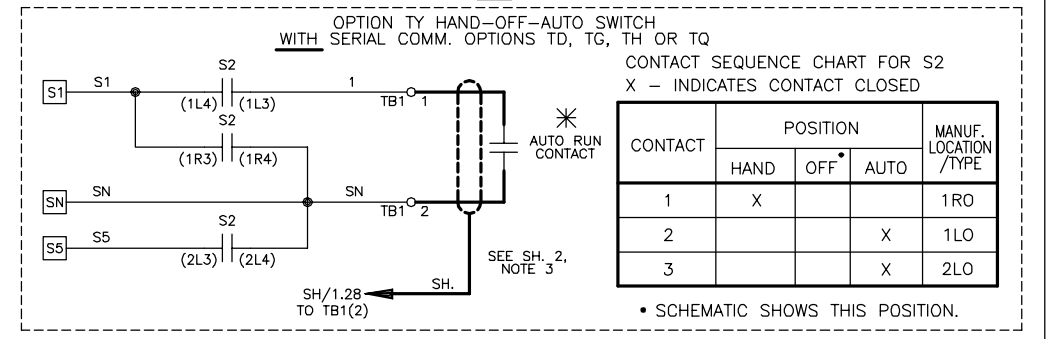
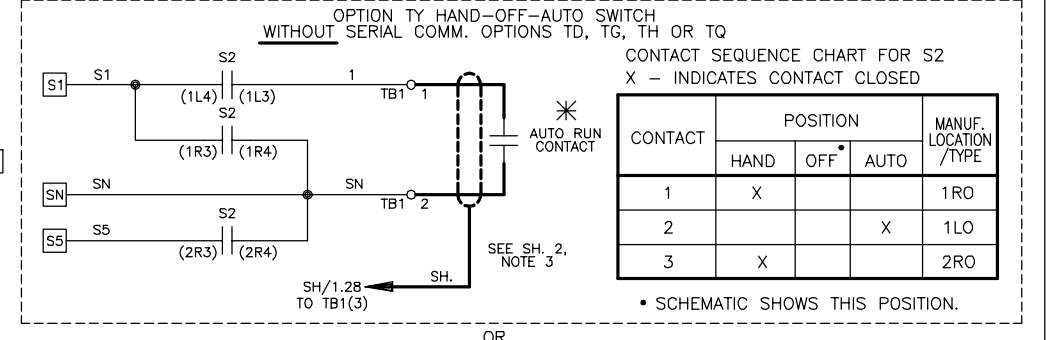
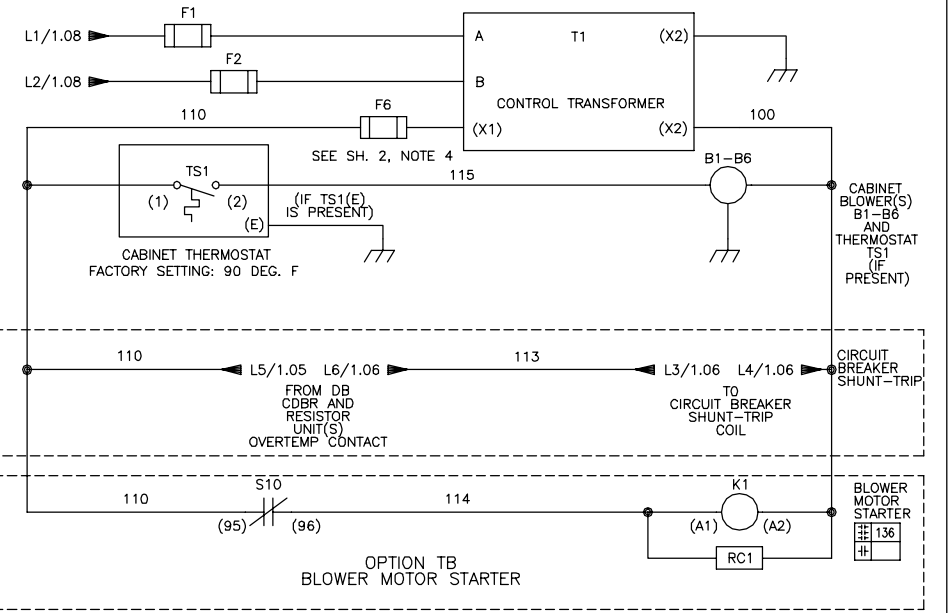
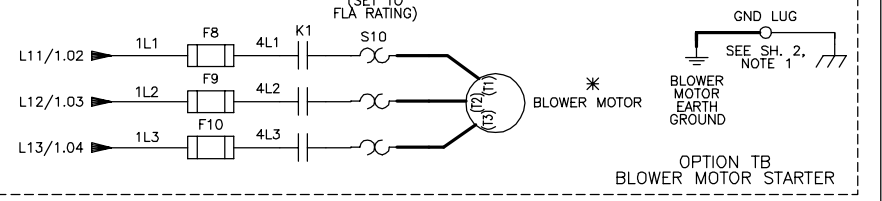


CONTROL TRANSFORMER PRIMARY CONNECTIONS			
INPUT VOLTS	TERMINALS		JUMPER LOCATION
	A	B	
230/240	(H1)	(H4)	(H1) TO (H3) (H2) TO (H4)
460/480	(H1)	(H4)	(H2) TO (H3)
600	(H1)	(H2)	NONE



BLOWER MOTOR		
FLA RATING	AMPS	VOLTS
3.0	4.2 - 360	240
1.5	2.1 - 477	480
3.0	515 - 590	480



\* - INDICATES COMPONENTS NOT SUPPLIED BY YASKAWA.  
 - INDICATES CUSTOMER WIRING.  
 - CONNECTED TO THE CABINET OR PANEL.  
 SEE SHEET 2 FOR NOTES.  
 SEE DRAWING UDE00576 FOR CUSTOMER CONNECTIONS.  
 SEE DRAWING UDE00579 FOR DRIVE PARAMETER SETTINGS.

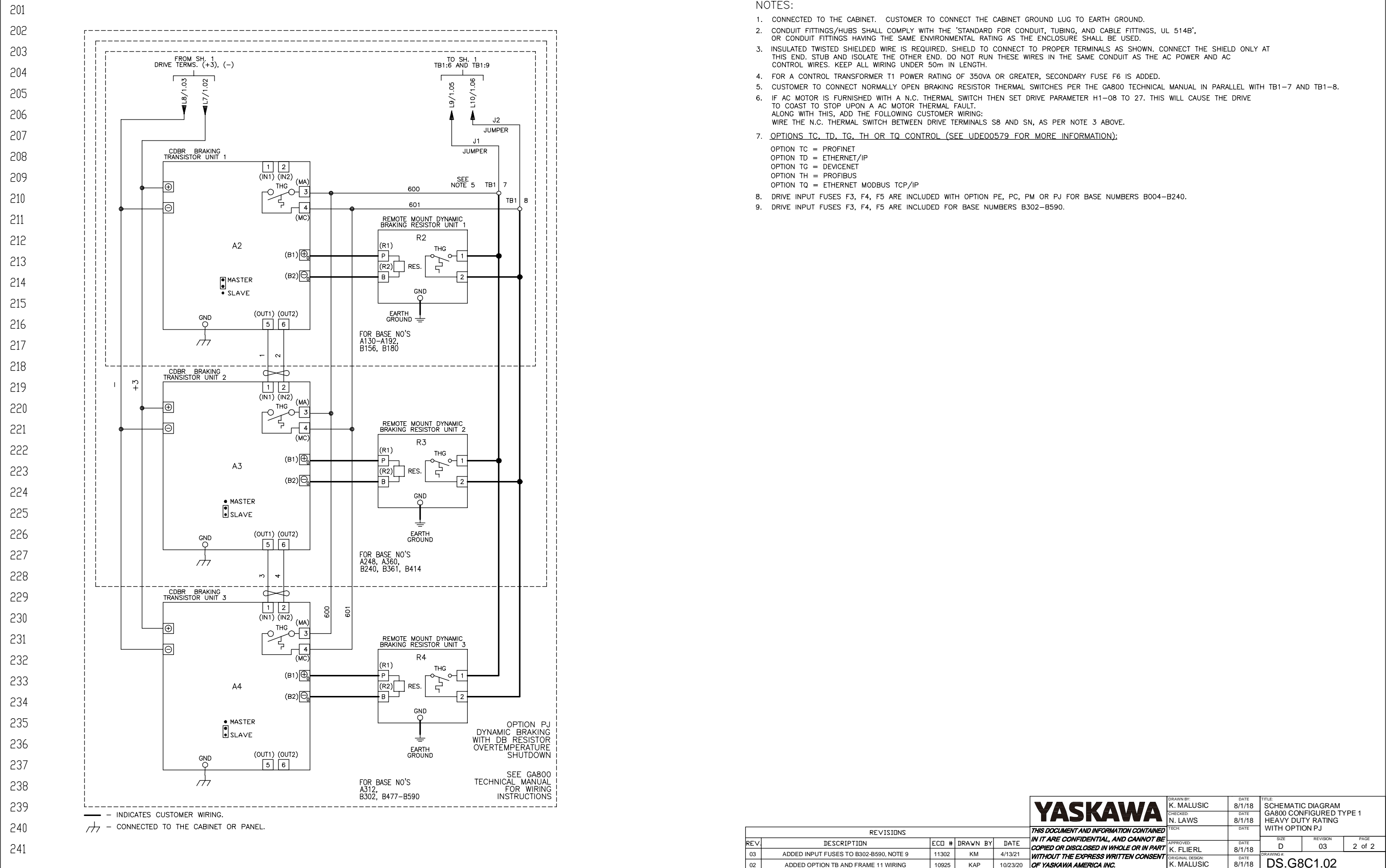
REVISIONS			
REV	DESCRIPTION	ECD #	DATE
03	ADDED INPUT FUSES TO B302-B590, NOTE 9	11302	4/13/21
02	ADDED OPTION TB AND FRAME 11 WIRING	10925	10/23/20

**YASKAWA**

THIS DOCUMENT AND INFORMATION CONTAINED IN IT ARE CONFIDENTIAL AND CANNOT BE COPIED OR DISCLOSED IN WHOLE OR IN PART WITHOUT THE EXPRESS WRITTEN CONSENT OF YASKAWA AMERICA INC.

DRAWN BY: K. MALUSIC	DATE: 8/1/18	TITLE: SCHEMATIC DIAGRAM G800 CONFIGURED TYPE 1 HEAVY DUTY RATING WITH OPTION PJ
CHECKED: N. LAWS	DATE: 8/1/18	SIZE: D
APPROVED: K. FLIERL	DATE: 8/1/18	REVISION: 03
ORIGINAL DESIGN: K. MALUSIC	DATE: 8/1/18	PAGE: 1 of 2

DRAWING # **DS.G8C1.02**



- NOTES:
- CONNECTED TO THE CABINET. CUSTOMER TO CONNECT THE CABINET GROUND LUG TO EARTH GROUND.
  - CONDUIT FITTINGS/HUBS SHALL COMPLY WITH THE 'STANDARD FOR CONDUIT, TUBING, AND CABLE FITTINGS, UL 514B', OR CONDUIT FITTINGS HAVING THE SAME ENVIRONMENTAL RATING AS THE ENCLOSURE SHALL BE USED.
  - INSULATED TWISTED SHIELDED WIRE IS REQUIRED. SHIELD TO CONNECT TO PROPER TERMINALS AS SHOWN. CONNECT THE SHIELD ONLY AT THIS END. STUB AND ISOLATE THE OTHER END. DO NOT RUN THESE WIRES IN THE SAME CONDUIT AS THE AC POWER AND AC CONTROL WIRES. KEEP ALL WIRING UNDER 50m IN LENGTH.
  - FOR A CONTROL TRANSFORMER T1 POWER RATING OF 350VA OR GREATER, SECONDARY FUSE F6 IS ADDED.
  - CUSTOMER TO CONNECT NORMALLY OPEN BRAKING RESISTOR THERMAL SWITCHES PER THE GA800 TECHNICAL MANUAL IN PARALLEL WITH TB1-7 AND TB1-8.
  - IF AC MOTOR IS FURNISHED WITH A N.C. THERMAL SWITCH THEN SET DRIVE PARAMETER H1-08 TO 27. THIS WILL CAUSE THE DRIVE TO COAST TO STOP UPON A AC MOTOR THERMAL FAULT. ALONG WITH THIS, ADD THE FOLLOWING CUSTOMER WIRING: WIRE THE N.C. THERMAL SWITCH BETWEEN DRIVE TERMINALS S8 AND SN, AS PER NOTE 3 ABOVE.
  - OPTIONS TC, TD, TG, TH OR TQ CONTROL (SEE UDE00579 FOR MORE INFORMATION):
    - OPTION TC = PROFINET
    - OPTION TD = ETHERNET/IP
    - OPTION TG = DEVICENET
    - OPTION TH = PROFIBUS
    - OPTION TQ = ETHERNET MODBUS TCP/IP
  - DRIVE INPUT FUSES F3, F4, F5 ARE INCLUDED WITH OPTION PE, PC, PM OR PJ FOR BASE NUMBERS B004-B240.
  - DRIVE INPUT FUSES F3, F4, F5 ARE INCLUDED FOR BASE NUMBERS B302-B590.

**YASKAWA**

THIS DOCUMENT AND INFORMATION CONTAINED IN IT ARE CONFIDENTIAL, AND CANNOT BE COPIED OR DISCLOSED IN WHOLE OR IN PART WITHOUT THE EXPRESS WRITTEN CONSENT OF YASKAWA AMERICA INC.

DRAWN BY:	K. MALUSIC	DATE:	8/1/18	TITLE:	SCHEMATIC DIAGRAM
CHECKED:	N. LAWS	DATE:	8/1/18		GA800 CONFIGURED TYPE 1
TECH:		DATE:			HEAVY DUTY RATING
APPROVED:	K. FLIERL	DATE:	8/1/18	SIZE:	D
ORIGINAL DESIGN:	K. MALUSIC	DATE:	8/1/18	REVISION:	03
				PAGE:	2 of 2

DRAWING # DS.G8C1.02