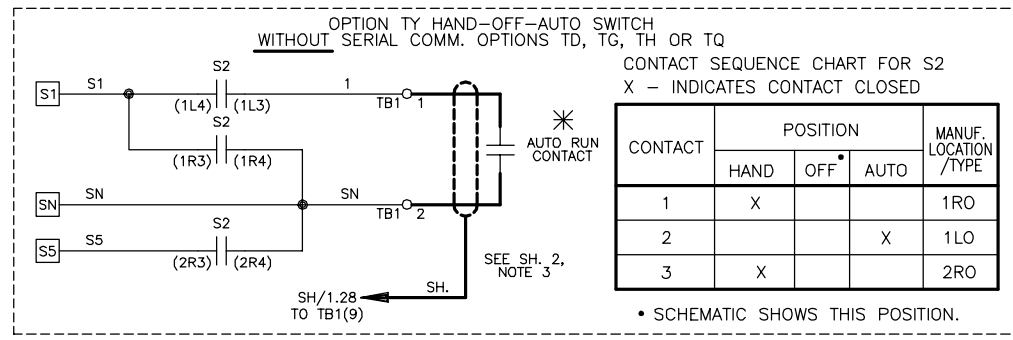
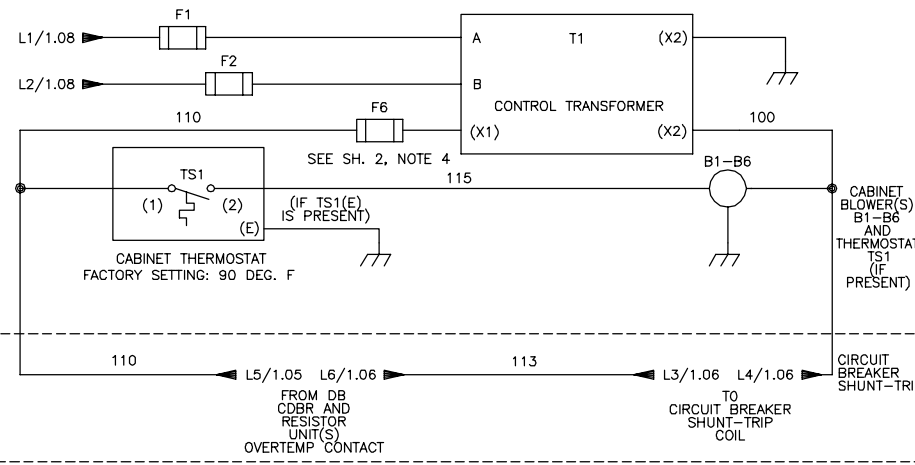
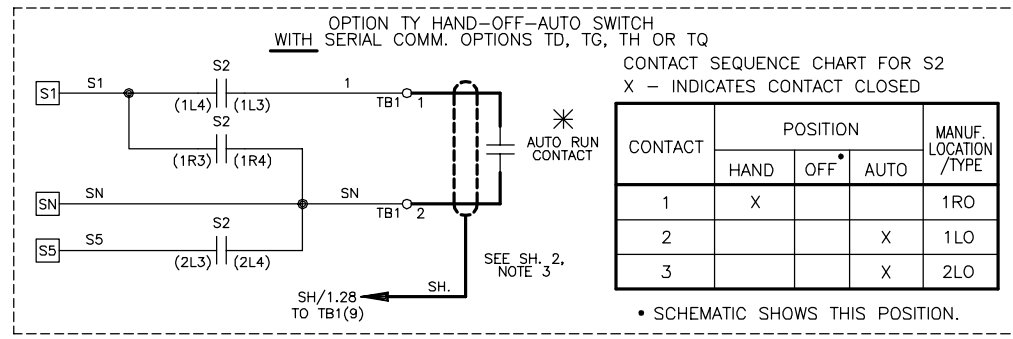


CONTROL TRANSFORMER PRIMARY CONNECTIONS			
INPUT VOLTS	TERMINALS		JUMPER LOCATION
	A	B	
230/240	(H1)	(H4)	(H1) TO (H3) (H2) TO (H4)
460/480	(H1)	(H4)	(H2) TO (H3)
600	(H1)	(H2)	NONE



CONTACT	POSITION			MANUF. LOCATION /TYPE
	HAND	OFF	AUTO	
1	X			1R0
2			X	1L0
3	X			2R0



CONTACT	POSITION			MANUF. LOCATION /TYPE
	HAND	OFF	AUTO	
1	X			1R0
2			X	1L0
3			X	2L0

DRY CONTACTS FOR CUSTOMER USE

RATED: 1A MAX., 250VAC  
1A MAX., 30VDC

CUSTOMER MUST PROVIDE PROPER SHORT CIRCUIT PROTECTION AND MEANS OF DISCONNECT.

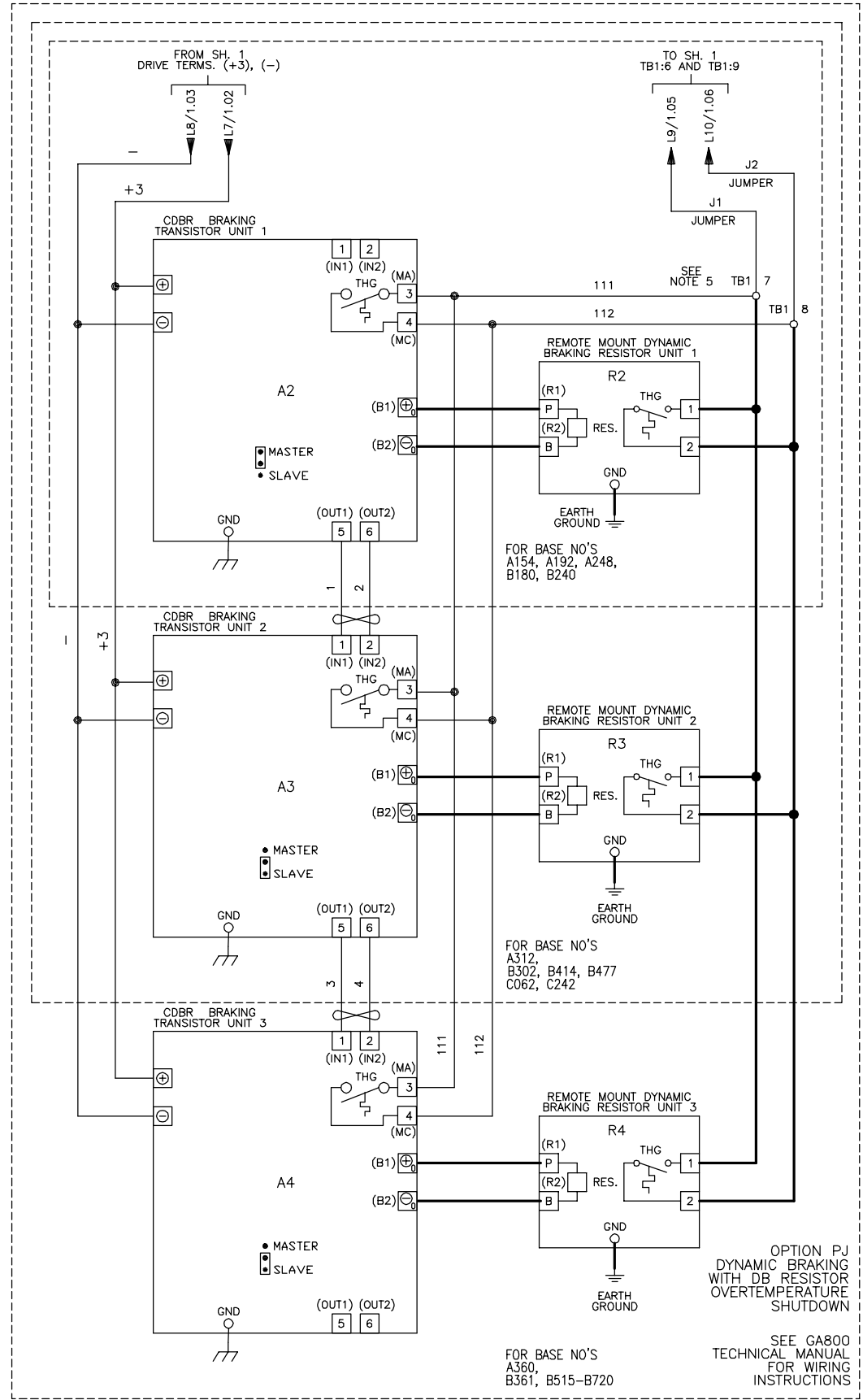
\* - INDICATES COMPONENTS NOT SUPPLIED BY YASKAWA.  
 - - INDICATES CUSTOMER WIRING.  
 --- CONNECTED TO THE CABINET OR PANEL.  
 SEE SHEET 2 FOR NOTES.  
 SEE DRAWING UDE00578 FOR CUSTOMER CONNECTIONS.  
 SEE DRAWING UDE00579 FOR DRIVE PARAMETER SETTINGS.

REVISIONS				
REV	DESCRIPTION	ECD #	DRAWN BY	DATE
00	INITIAL RELEASE	-	KM	8/1/18

**YASKAWA**

THIS DOCUMENT AND INFORMATION CONTAINED IN IT ARE CONFIDENTIAL, AND CANNOT BE COPIED OR DISCLOSED IN WHOLE OR IN PART WITHOUT THE EXPRESS WRITTEN CONSENT OF YASKAWA AMERICA, INC.

DRAWN BY: K. MALUSIC	DATE: 8/1/18	TITLE: SCHEMATIC DIAGRAM G800 CONFIGURED TYPE 1 NORMAL DUTY RATING WITH OPTION PJ
CHECKED: N. LAWS	DATE: 8/1/18	SIZE: D
TECH: K. FLIERL	DATE: 8/1/18	REVISION: 00
APPROVED: K. FLIERL	DATE: 8/1/18	PAGE: 1 of 2
ORIGINAL DESIGN: K. MALUSIC	DATE: 8/1/18	DRAWING #: DS.G8C1.04



— — INDICATES CUSTOMER WIRING.  
 — CONNECTED TO THE CABINET OR PANEL.

NOTES:

- CONNECTED TO THE CABINET. CUSTOMER TO CONNECT THE CABINET GROUND LUG TO EARTH GROUND.
- CONDUIT FITTINGS/HUBS SHALL COMPLY WITH THE 'STANDARD FOR CONDUIT, TUBING, AND CABLE FITTINGS, UL 514B', OR CONDUIT FITTINGS HAVING THE SAME ENVIRONMENTAL RATING AS THE ENCLOSURE SHALL BE USED.
- INSULATED TWISTED SHIELDED WIRE IS REQUIRED. SHIELD TO CONNECT TO PROPER TERMINALS AS SHOWN. CONNECT THE SHIELD ONLY AT THIS END. STUB AND ISOLATE THE OTHER END. DO NOT RUN THESE WIRES IN THE SAME CONDUIT AS THE AC POWER AND AC CONTROL WIRES. KEEP ALL WIRING UNDER 50m IN LENGTH.
- FOR A CONTROL TRANSFORMER T1 POWER RATING OF 350VA OR GREATER, SECONDARY FUSE F6 IS ADDED.
- CUSTOMER TO CONNECT NORMALLY OPEN BRAKING RESISTOR THERMAL SWITCHES PER THE GA800 TECHNICAL MANUAL IN PARALLEL WITH TB1-7 AND TB1-8.
- IF AC MOTOR IS FURNISHED WITH A N.C. THERMAL SWITCH THEN SET DRIVE PARAMETER H1-08 TO 27. THIS WILL CAUSE THE DRIVE TO COAST TO STOP UPON A AC MOTOR THERMAL FAULT. ALONG WITH THIS, ADD THE FOLLOWING CUSTOMER WIRING: WIRE THE N.C. THERMAL SWITCH BETWEEN DRIVE TERMINALS S8 AND SN, AS PER NOTE 3 ABOVE.
- OPTIONS TC, TD, TG, TH OR TQ CONTROL (SEE UDE00579 FOR MORE INFORMATION);  
 OPTION TC = PROFINET  
 OPTION TD = ETHERNET/IP  
 OPTION TG = DEVICENET  
 OPTION TH = PROFIBUS  
 OPTION TQ = ETHERNET MODBUS TCP/IP
- DRIVE INPUT FUSES F3, F4, F5 ARE INCLUDED WITH OPTION PE, PC, PM OR PJ FOR BASE NUMBERS B007-B720.

OPTION PJ  
 DYNAMIC BRAKING  
 WITH DB RESISTOR  
 OVERTEMPERATURE  
 SHUTDOWN  
 SEE GA800  
 TECHNICAL MANUAL  
 FOR WIRING  
 INSTRUCTIONS

FOR BASE NO'S  
 A360,  
 B361, B515-B720

FOR BASE NO'S  
 A312,  
 B302, B414, B477  
 C062, C242

FOR BASE NO'S  
 A154, A192, A248,  
 B180, B240

REVISIONS				
REV	DESCRIPTION	ECD #	DRAWN BY	DATE
00	INITIAL RELEASE	-	KM	8/1/18

<b>YASKAWA</b>	DRAWN BY: K. MALUSIC	DATE: 8/1/18	TITLE: SCHEMATIC DIAGRAM GA800 CONFIGURED TYPE 1 NORMAL DUTY RATING WITH OPTION PJ		
	CHECKED BY: N. LAWS	DATE: 8/1/18	SIZE: D	REVISION: 00	PAGE: 2 of 2
	TECHNICAL: K. FLIERL	DATE: 8/1/18	DRAWING #: DS.G8C1.04		
	APPROVED BY: K. MALUSIC	DATE: 8/1/18			

*THIS DOCUMENT AND INFORMATION CONTAINED IN IT ARE CONFIDENTIAL, AND CANNOT BE COPIED OR DISCLOSED IN WHOLE OR IN PART WITHOUT THE EXPRESS WRITTEN CONSENT OF YASKAWA AMERICA INC.*