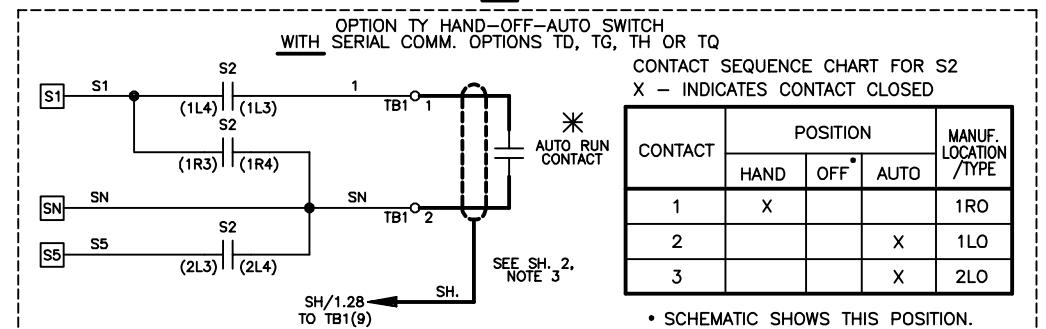
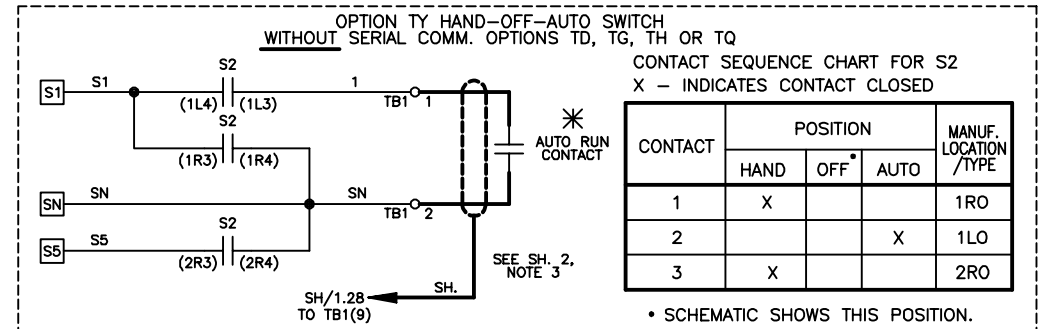
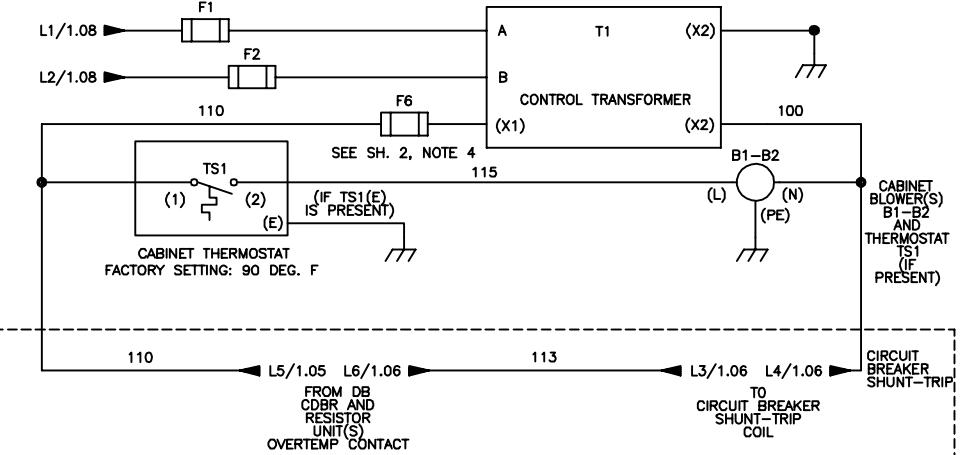


**CONTROL TRANSFORMER PRIMARY CONNECTIONS**

INPUT VOLTS	TERMINALS		JUMPER LOCATION
	A	B	
230/240	(H1)	(H4)	(H1) TO (H3) (H2) TO (H4)
460/480	(H1)	(H4)	(H2) TO (H3)
600	(H1)	(H2)	NONE



DRY CONTACTS FOR CUSTOMER USE

RATED: 1A MAX., 250VAC  
1A MAX., 30VDC

CUSTOMER MUST PROVIDE PROPER SHORT CIRCUIT PROTECTION AND MEANS OF DISCONNECT.

\* - INDICATES COMPONENTS NOT SUPPLIED BY YASKAWA.  
 - - INDICATES CUSTOMER WIRING.  
 - - CONNECTED TO THE CABINET OR PANEL.  
 SEE SHEET 2 FOR NOTES.  
 SEE DRAWING UDE00596 FOR CUSTOMER CONNECTIONS.  
 SEE DRAWING UDE00600 FOR DRIVE PARAMETER SETTINGS.

**REVISIONS**

REV.	DESCRIPTION	ECD #	DRAWN BY	DATE
00	INITIAL RELEASE		KAP	8/3/18

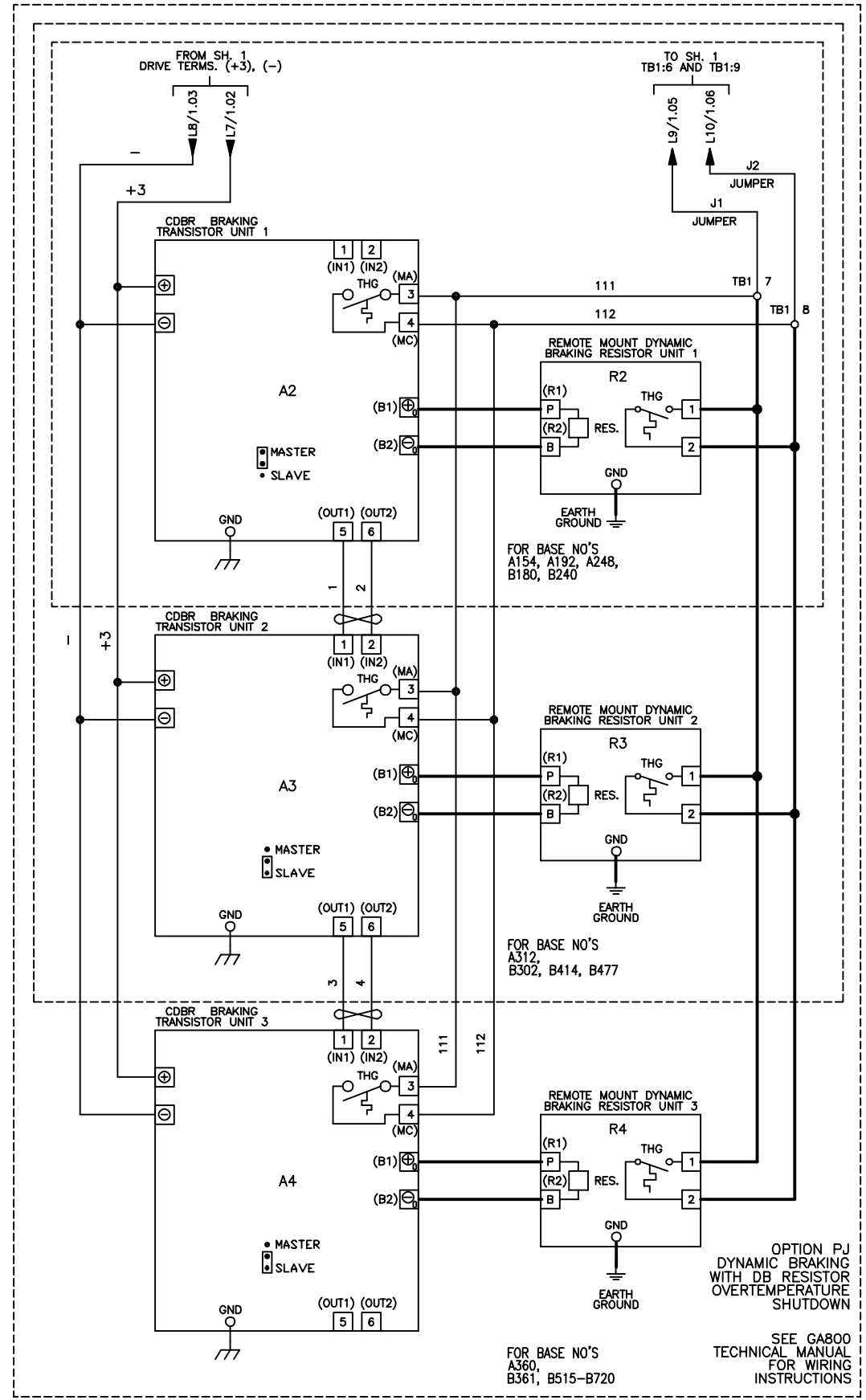
**YASKAWA**

THIS DOCUMENT AND INFORMATION CONTAINED IN IT ARE CONFIDENTIAL, AND CANNOT BE COPIED OR DISCLOSED IN WHOLE OR IN PART WITHOUT THE EXPRESS WRITTEN CONSENT OF YASKAWA AMERICA INC.

DRAWN BY: K. PEOPLES	DATE: 8/3/18	TITLE: SCHEMATIC DIAGRAM GA800 CONFIGURED TYPE 12 NORMAL DUTY RATING WITH OPTION PJ
CHECKED: N. LAWS	DATE: 8/3/18	SIZE: D
APPROVED: K. FLIERL	DATE: 8/3/18	REVISION: 00
ORIGINAL DESIGN: K. PEOPLES	DATE: 8/3/18	PAGE: 1 of 2

**DS.G8C12.04**

201  
202  
203  
204  
205  
206  
207  
208  
209  
210  
211  
212  
213  
214  
215  
216  
217  
218  
219  
220  
221  
222  
223  
224  
225  
226  
227  
228  
229  
230  
231  
232  
233  
234  
235  
236  
237  
238  
239  
240  
241



— INDICATES CUSTOMER WIRING.  
⏏ — CONNECTED TO THE CABINET OR PANEL.

NOTES:

- CONNECTED TO THE CABINET. CUSTOMER TO CONNECT THE CABINET GROUND LUG TO EARTH GROUND.
- CONDUIT FITTINGS/HUBS SHALL COMPLY WITH THE 'STANDARD FOR CONDUIT, TUBING, AND CABLE FITTINGS, UL 514B', OR CONDUIT FITTINGS HAVING THE SAME ENVIRONMENTAL RATING AS THE ENCLOSURE SHALL BE USED.
- INSULATED TWISTED SHIELDED WIRE IS REQUIRED. SHIELD TO CONNECT TO PROPER TERMINALS AS SHOWN. CONNECT THE SHIELD ONLY AT THIS END. STUB AND ISOLATE THE OTHER END. DO NOT RUN THESE WIRES IN THE SAME CONDUIT AS THE AC POWER AND AC CONTROL WIRES. KEEP ALL WIRING UNDER 50m IN LENGTH.
- FOR A CONTROL TRANSFORMER T1 POWER RATING OF 350VA OR GREATER, SECONDARY FUSE F6 IS ADDED.
- CUSTOMER TO CONNECT NORMALLY OPEN BRAKING RESISTOR THERMAL SWITCHES PER THE GA800 TECHNICAL MANUAL IN PARALLEL WITH TB1-7 AND TB1-8.
- IF AC MOTOR IS FURNISHED WITH A N.C. THERMAL SWITCH THEN SET DRIVE PARAMETER H1-08 TO 27. THIS WILL CAUSE THE DRIVE TO COAST TO STOP UPON A AC MOTOR THERMAL FAULT. ALONG WITH THIS, ADD THE FOLLOWING CUSTOMER WIRING: WIRE THE N.C. THERMAL SWITCH BETWEEN DRIVE TERMINALS S8 AND SN, AS PER NOTE 3 ABOVE.
- OPTIONS TC, TD, TG, TH OR TQ CONTROL (SEE UDE00600 FOR MORE INFORMATION):  
OPTION TC = PROFINET  
OPTION TD = ETHERNET/IP  
OPTION TG = DEVICENET  
OPTION TH = PROFIBUS  
OPTION TQ = ETHERNET MODBUS TCP/IP
- DRIVE INPUT FUSES F3, F4, F5 ARE INCLUDED WITH OPTION PE, PC, PM, OR PJ FOR BASE NUMBERS B065-720.

<b>YASKAWA</b>		DRAWN BY: K. PEOPLES	DATE: 8/3/18	TITLE: SCHEMATIC DIAGRAM GA800 CONFIGURED TYPE 12 NORMAL DUTY RATING WITH OPTION PJ
THIS DOCUMENT AND INFORMATION CONTAINED HEREIN ARE CONFIDENTIAL, AND CANNOT BE COPIED OR DISCLOSED IN WHOLE OR IN PART WITHOUT THE EXPRESS WRITTEN CONSENT OF YASKAWA AMERICA INC.		CHECKED: N. LAWS	DATE: 8/3/18	TECH: K. PEOPLES
APPROVED: K. FLIERL	DATE: 8/3/18	DATE: 8/3/18	DATE: 8/3/18	DATE: 8/3/18
ORIGINAL DESIGN: K. PEOPLES	DATE: 8/3/18	DATE: 8/3/18	DATE: 8/3/18	DATE: 8/3/18
SIZE: D	REVISION: 00	PAGE: 2 of 2	DRAWING #: DS.G8C12.04	