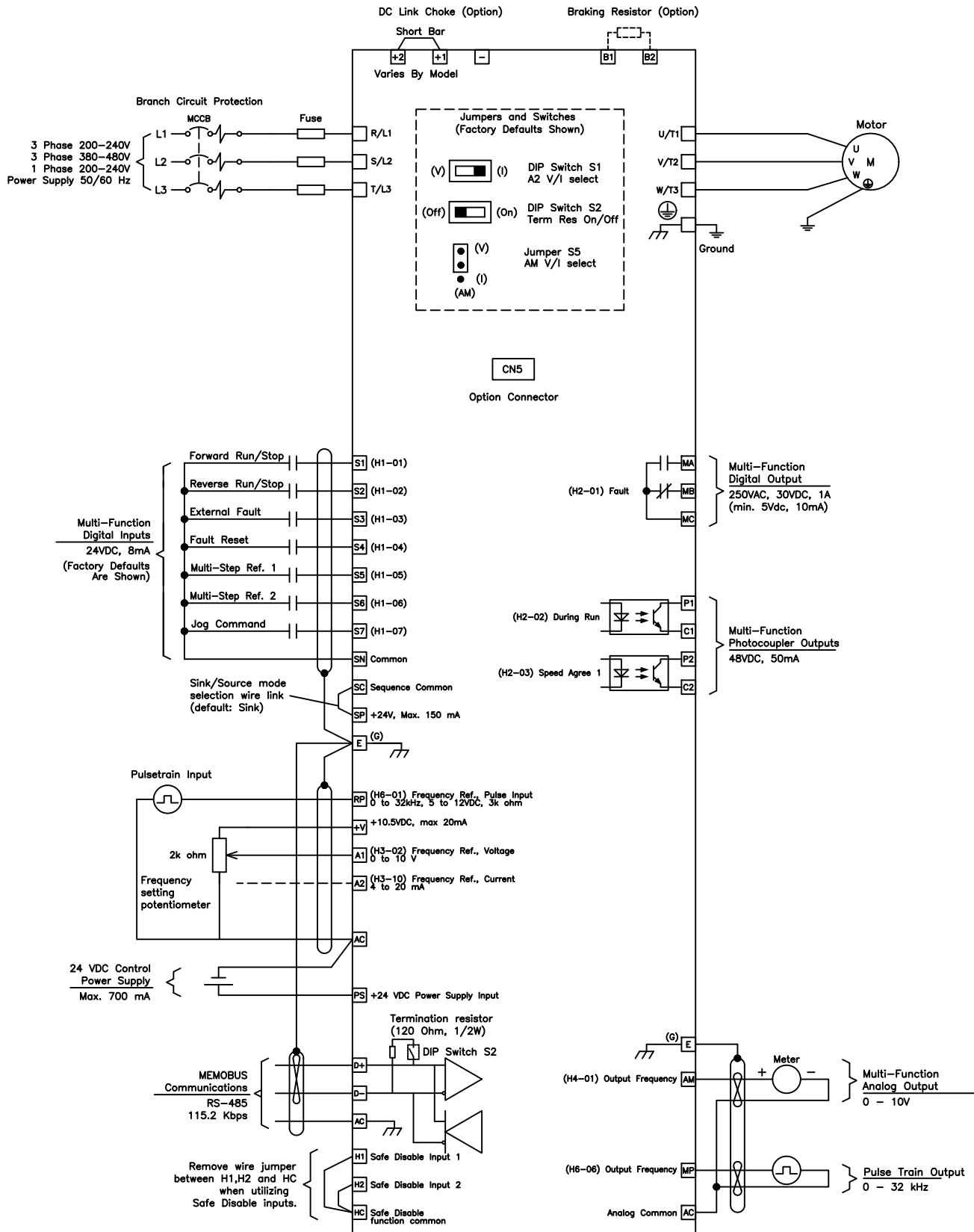


# GA500



Note: Refer to technical manual for further details.

**YASKAWA**

DRWN.	J. MATTAS	5-20-19
CHKD.	J. PIOTROWSKI	5-21-19
TECH.	T. UCHINO	5-22-19
APRV.	J. CAIRO	6-13-19

TITLE  
GA500 DRIVE  
STANDARD CONNECTION DIAGRAM

SIZE	A	PAGE	1 OF 1	REV	0
DWG.NO.	DS.GA50.01				

UNITS -

SCALE -