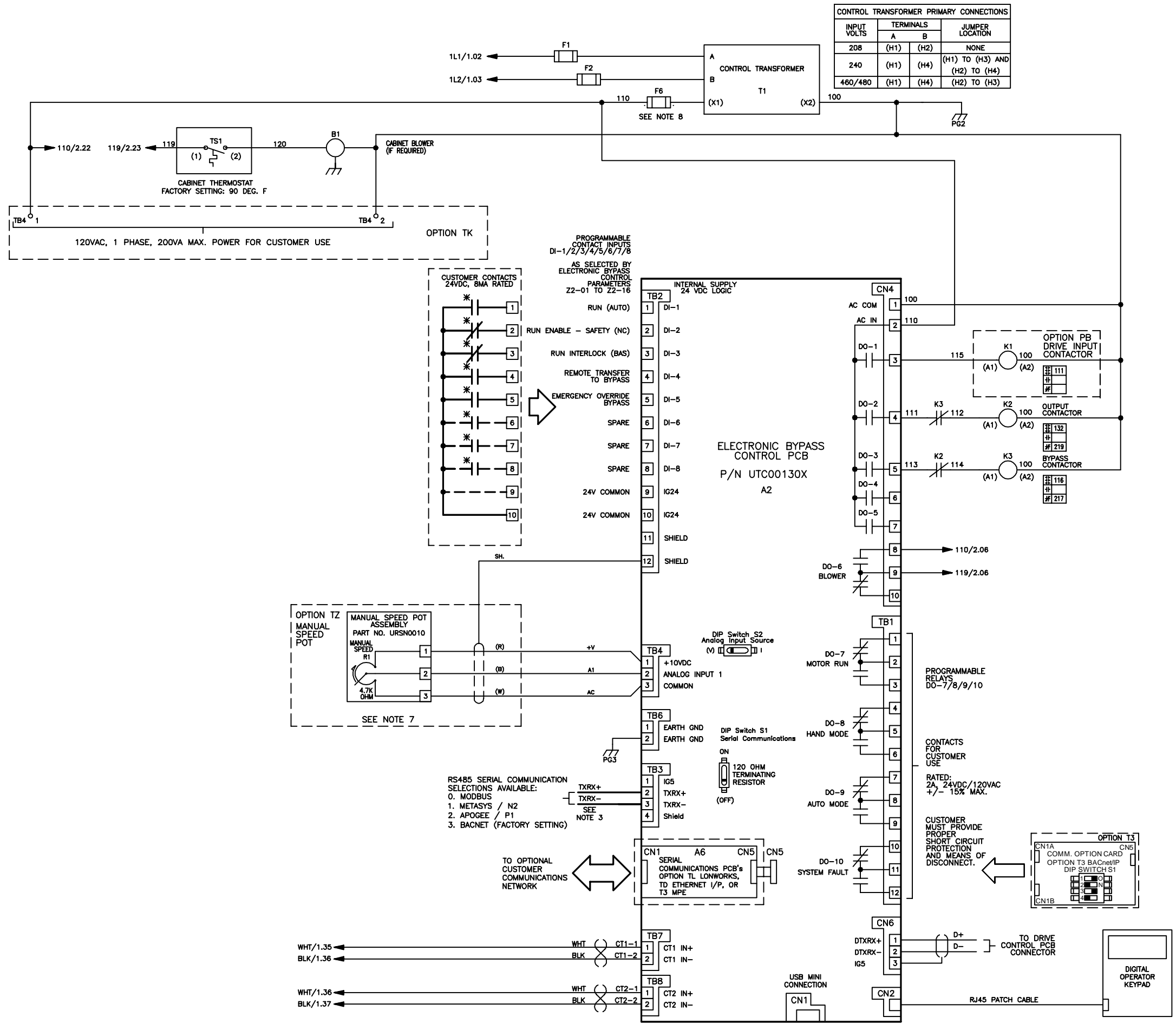


* - INDICATES COMPONENTS NOT SUPPLIED BY YASKAWA.
 — — INDICATES CUSTOMER WIRING.
 ⏏ — CONNECTED TO THE CABINET OR PANEL.
 SEE DRAWING UDE00661 FOR CUSTOMER CONNECTION TABLES.

REVISIONS				
REV.	DESCRIPTION	ECO #	DRAWN BY	DATE
01	CHANGED CN2-1 TO CN2-2. ADDED OPTION T3	12564	R.JJ	09/02/22
00	INITIAL RELEASE	--	KM	6/2/20

YASKAWA	DRAWN BY: K. MALUSIC	DATE: 6/2/20	TITLE: SCHEMATIC DIAGRAM HV600 TYPE 1 ELECTRONIC BYPASS
	CHECKED: K. PEOPLES	DATE: 6/2/20	SIZE: D
	APPROVED: R. JENSEN	DATE: 6/2/20	REVISION: 01
ORIGINAL DESIGN: K. MALUSIC	DATE: 6/2/20	PAGE: 1 of 2	DRAWING #: DS.H6B1.01

INPUT VOLTS	TERMINALS		JUMPER LOCATION
	A	B	
208	(H1)	(H2)	NONE
240	(H1)	(H4)	(H1) TO (H3) AND (H2) TO (H4)
460/480	(H1)	(H4)	(H2) TO (H3)



- NOTES:
1. CUSTOMER TO CONNECT THE CABINET GROUND LUG TO EARTH GROUND AND MOTOR GROUND TO CABINET GROUND LUG.
 2. INSULATED TWISTED SHIELDED WIRE IS REQUIRED. SHIELD TO CONNECT TO PROPER TERMINAL AS SHOWN. CONNECT THE SHIELD ONLY AT THIS END. STUB AND ISOLATE THE OTHER END. DO NOT RUN THESE WIRES IN THE SAME CONDUIT AS THE AC POWER AND THE AC CONTROL WIRES.
 3. INSULATED TWISTED SHIELDED WIRE IS REQUIRED. SHIELD TO BE CONNECTED TO PROPER TERMINAL ON CUSTOMER END. STUB AND ISOLATE THE OTHER END. DO NOT RUN THESE WIRES IN THE SAME CONDUIT AS THE AC POWER AND THE AC CONTROL WIRES.
 4. WHEN INPUT CIRCUIT BREAKER OPTION PM IS NOT PROVIDED, BRANCH CIRCUIT PROTECTION MUST BE SUPPLIED BY THE INSTALLER.
 5. CHANGING A1-03 TO "2220" WILL PROGRAM THE DRIVE AND BYPASS PARAMETERS TO THEIR FACTORY DEFAULT SETTINGS.
 6. FOR 208VAC APPLICATIONS, SET E1-01 TO 208 AND SET E1-05 TO 208.
 7. FOR SPEED POT OPTION TZ, SET H3-02 TO 2E, L4-05 TO 0, AND S5-01 TO 0.
 8. WITH A CONTROL TRANSFORMER, T1, POWER RATING 350VA OR GREATER, SECONDARY FUSE F6 IS ADDED.
 9. DRIVE INPUT FUSES F3, F4, F5 ARE INCLUDED WITH OPTION PM FOR BASE NUMBERS A192-A248, B180-B302 AND D211-D273.
 10. CONDUIT FITTINGS/HUBS SHALL COMPLY WITH THE "STANDARD FOR CONDUIT, TUBING, AND CABLE FITTINGS, UL 514B". OR CONDUIT FITTINGS HAVING THE SAME ENVIRONMENTAL RATING AS THE ENCLOSURE SHALL BE USED.

YASKAWA	DRAWN BY:	K. MALUSIC	DATE:	6/2/20	TITLE:	SCHEMATIC DIAGRAM HV600 TYPE 1 ELECTRONIC BYPASS					
	CHECKED:	K. PEOPLES	DATE:	6/2/20	DATE:	DATE:	DATE:	DATE:			
APPROVED:					R. JENSEN	DATE:	6/2/20	DATE:			
ORIGINAL DESIGN:					K. MALUSIC	DATE:	6/2/20	DATE:			
THIS DOCUMENT AND INFORMATION CONTAINED IN IT ARE CONFIDENTIAL, AND CANNOT BE COPIED OR DISCLOSED IN WHOLE OR IN PART WITHOUT THE EXPRESS WRITTEN CONSENT OF YASKAWA AMERICA INC.						SIZE:	D	REVISION:	01	PAGE:	2 of 2
						DRAWING #:	DS.H6B1.01				