

- \* - INDICATES COMPONENTS NOT SUPPLIED BY YASKAWA.
- - INDICATES CUSTOMER WIRING.
- ⏏ - CONNECTED TO THE CABINET OR PANEL.

SEE DRAWING UDE00663 FOR CUSTOMER CONNECTION TABLES.

REV.	DESCRIPTION	ECO #	DRAWN BY	DATE
03	UPDATED OPTION TZ CONNECTION TERMINALS	12896	KM	02/27/23
02	REMOVED A192-A248 AND D211-D273 FROM NOTE 6	12528	KM	02/24/23
01	CHANGED CN2-1 TO CN2-2, ADDED OPTION T3	12564	RJJ	09/02/22

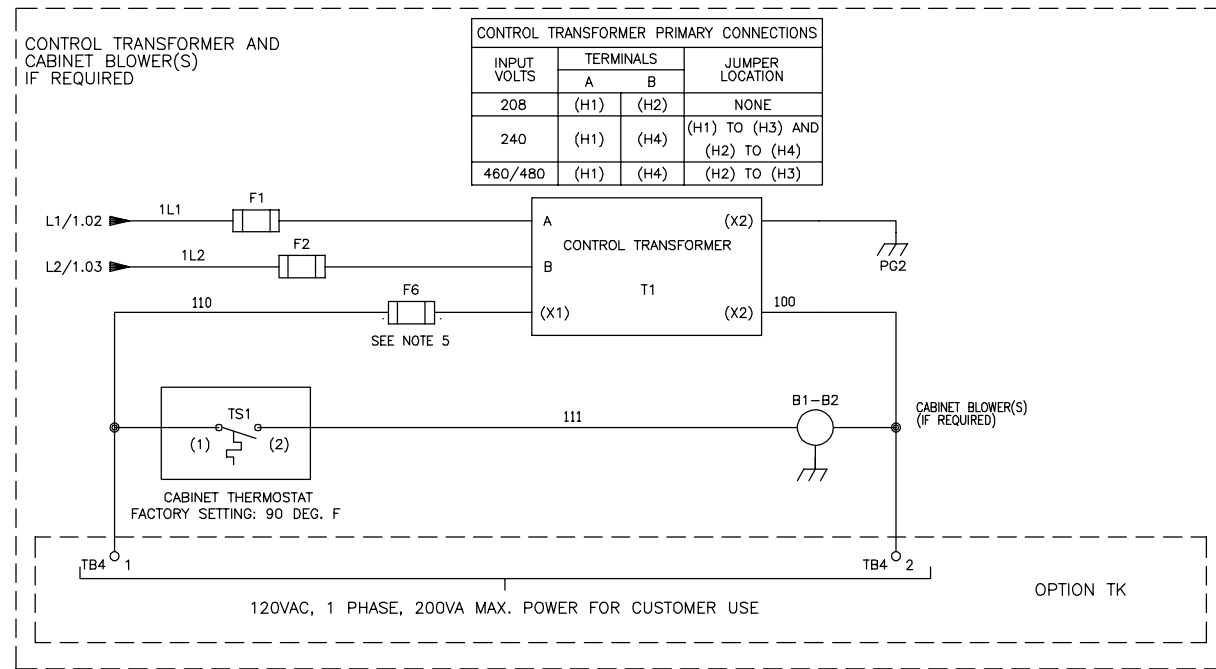
**THIS DOCUMENT AND INFORMATION CONTAINED IN IT ARE CONFIDENTIAL, AND CANNOT BE COPIED OR DISCLOSED IN WHOLE OR IN PART WITHOUT THE EXPRESS WRITTEN CONSENT OF YASKAWA AMERICA INC.**

DRAWN BY:	K. MALUSIC	DATE:	6/2/20	TITLE:	SCHEMATIC DIAGRAM
CHECKED:	K. PEOPLES	DATE:	6/2/20		HV600 TYPE 1 CONFIGURED
TECH:		DATE:			
APPROVED:	R. JENSEN	DATE:	6/2/20	SIZE:	D
ORIGINAL DESIGN:	K. MALUSIC	DATE:	6/2/20	REVISION:	03
				PAGE:	1 of 2

DS.H6C1.01

201  
202  
203  
204  
205  
206  
207  
208  
209  
210  
211  
212  
213  
214  
215  
216  
217  
218  
219  
220  
221  
222  
223  
224  
225  
226  
227  
228  
229  
230  
231  
232  
233  
234  
235  
236  
237  
238  
239  
240  
241

A  
B  
C  
D  
E  
F  
G  
H  
J  
K



- NOTES:
1. CUSTOMER TO CONNECT THE CABINET GROUND LUG TO EARTH GROUND.
  2. WHEN INPUT CIRCUIT BREAKER OPTION PM IS NOT PROVIDED, BRANCH CIRCUIT PROTECTION MUST BE SUPPLIED BY THE INSTALLER.
  3. FOR 208VAC APPLICATIONS SET PARAMETERS E1-01 AND E1-05 TO 208.
  4. FOR SPEED POT OPTION TZ, SET H3-02 TO 2E, L4-05 TO 0, AND S5-01 TO 0.
  5. WITH A CONTROL POWER TRANSFORMER T1, POWER RATING 350VA OR GREATER, SECONDARY FUSE F6 IS ADDED.
  6. DRIVE INPUT FUSES F3, F4, F5 ARE INCLUDED WITH OPTION PM FOR BASE NUMBERS B180-B302.
  7. CONDUIT FITTINGS/HUBS SHALL COMPLY WITH THE 'STANDARD FOR CONDUIT, TUBING, AND CABLE FITTINGS, UL 514B'. OR CONDUIT FITTINGS HAVING THE SAME ENVIRONMENTAL RATING AS THE ENCLOSURE SHALL BE USED.

<b>YASKAWA</b>	DRAWN BY: K. MALUSIC	DATE: 6/2/20	TITLE: SCHEMATIC DRAWING
	CHECKED BY: K. PEOPLES	DATE: 6/2/20	HV600 TYPE 1 CONFIGURED
THIS DOCUMENT AND INFORMATION CONTAINED IN IT ARE CONFIDENTIAL, AND CANNOT BE COPIED OR DISCLOSED IN WHOLE OR IN PART WITHOUT THE EXPRESS WRITTEN CONSENT OF YASKAWA AMERICA INC.	APPROVED BY: R. JENSEN	DATE: 6/2/20	SIZE: D
	ORIGINAL DESIGN: K. MALUSIC	DATE: 6/2/20	REVISION: 03
			PAGE: 2 of 2
			DRAWING #: DS.H6C1.01