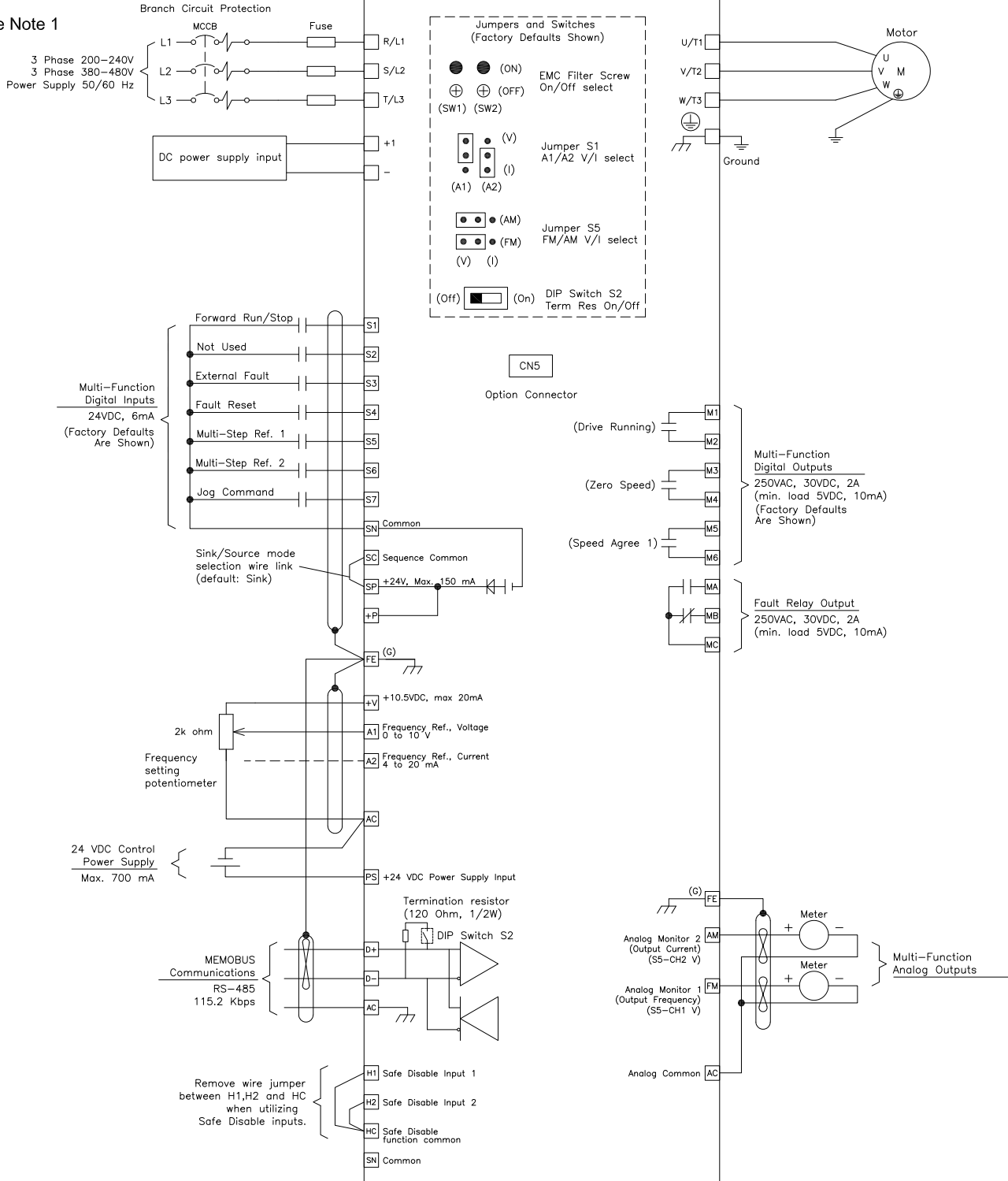


HV600 Without Main Switch

See Note 1



Note 1: For single phase input applications, consult installation manual for details.

Note: Refer to technical manual for further details.

2	ADD WITH MAIN SWITCH
1	ADD SINGLE PHASE NOTE
0	INITIAL RELEASE

YASKAWA	
UNITS -	
SCALE -	

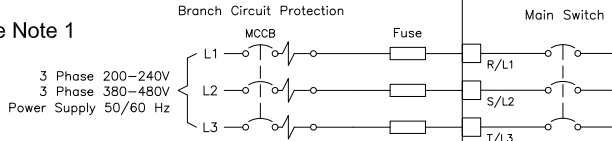
DRWN.	J. MATTAS	8-22-19
CHKD.	J. PIOTROWSKI	9-24-19
TECH.	T. UCHINO	10-18-19
APRV.	J. CAIRO	10-22-19

TITLE	HV600 DRIVE STANDARD CONNECTION DIAGRAM
-------	--

SIZE	A	PAGE	1 OF 2	REV	
DWG.NO.	DS.HV60.01				2

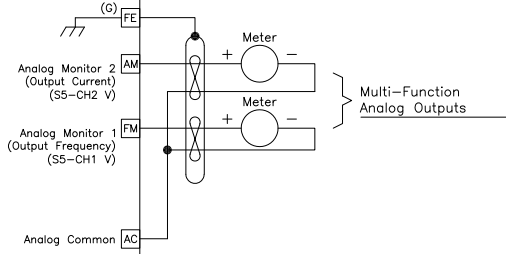
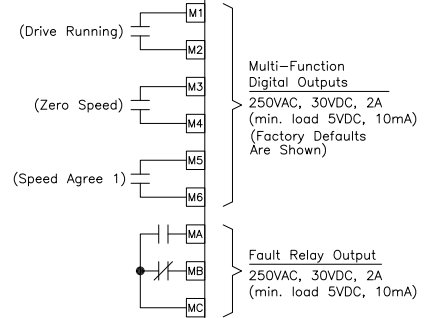
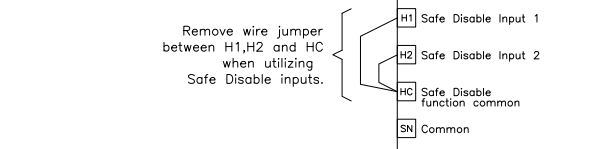
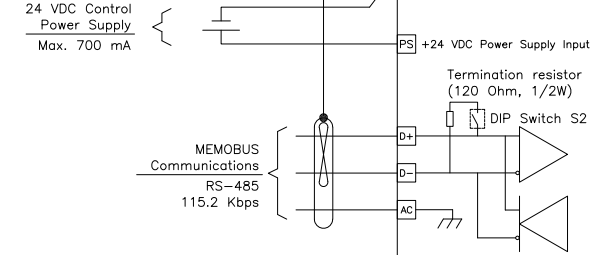
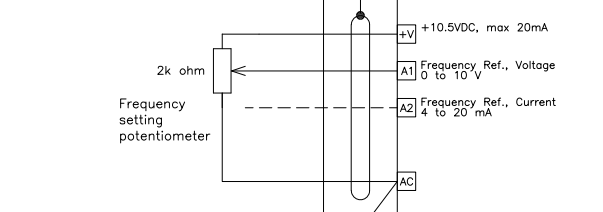
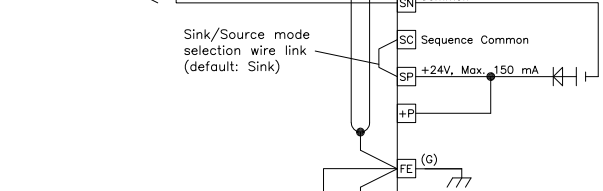
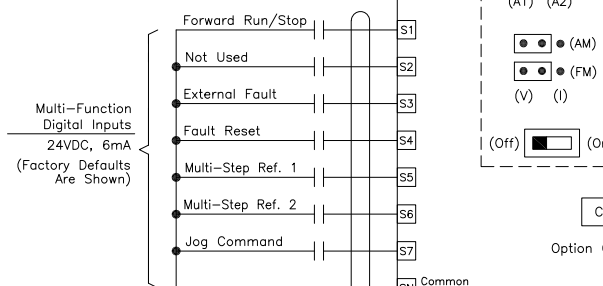
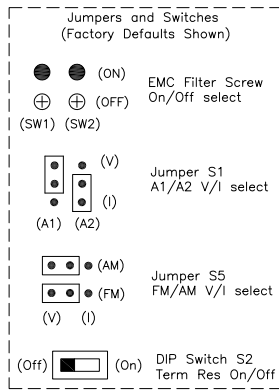
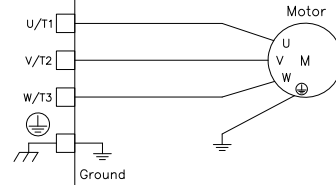
HV600 With Main Switch

See Note 1



3 Phase 200-240V
3 Phase 380-480V
Power Supply 50/60 Hz

Note: Terminals +1 and - cannot be used on HV600 With Main Switch



Note: Refer to technical manual for further details.

YASKAWA

DRWN.	J. MATTAS	8-22-19
CHKD.	J. PIOTROWSKI	9-24-19
TECH.	T. UCHINO	10-18-19
APRV.	J. CAIRO	10-22-19

TITLE
HV600 DRIVE
STANDARD CONNECTION DIAGRAM

SIZE	A	PAGE	2 OF 2	REV
DWG.NO.	DS.HV60.01			2

UNITS	-	
SCALE	-	