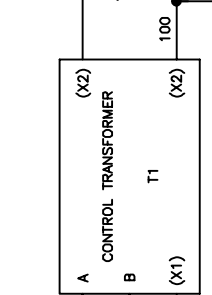
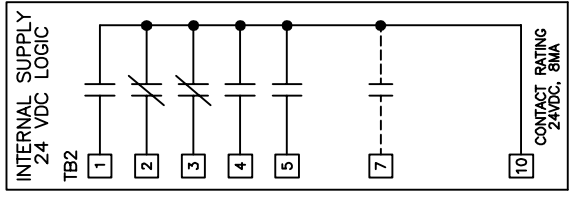


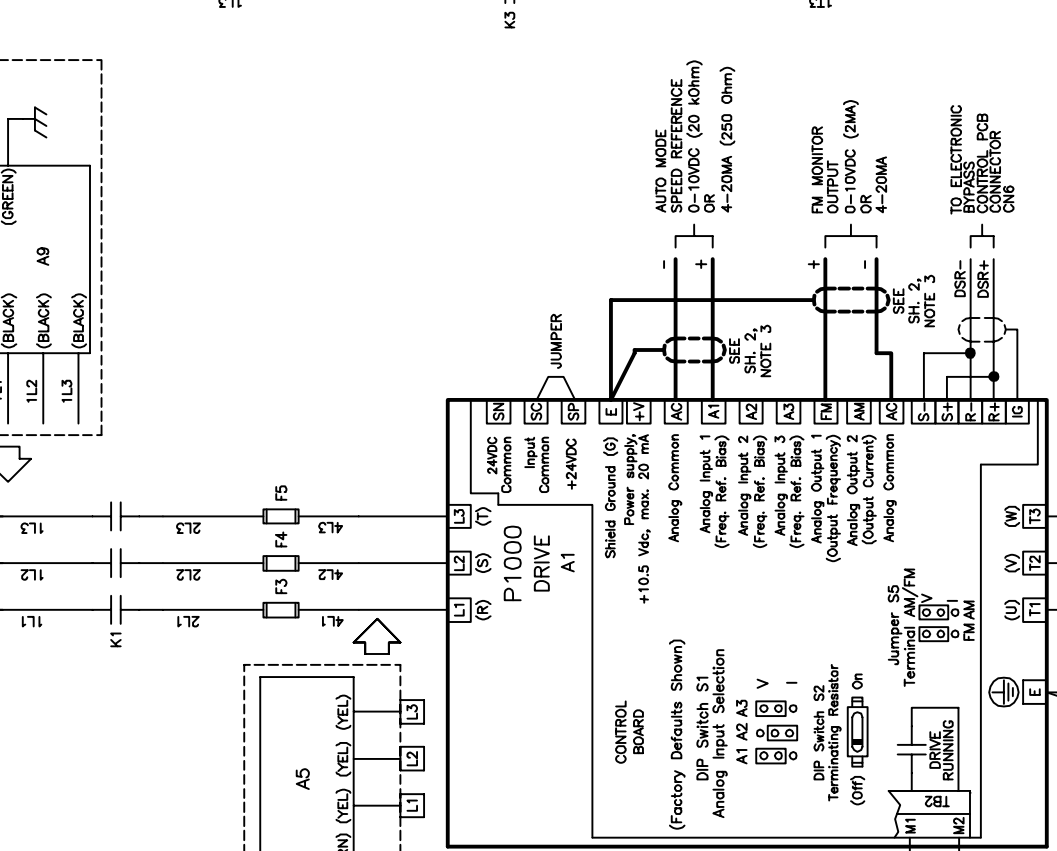
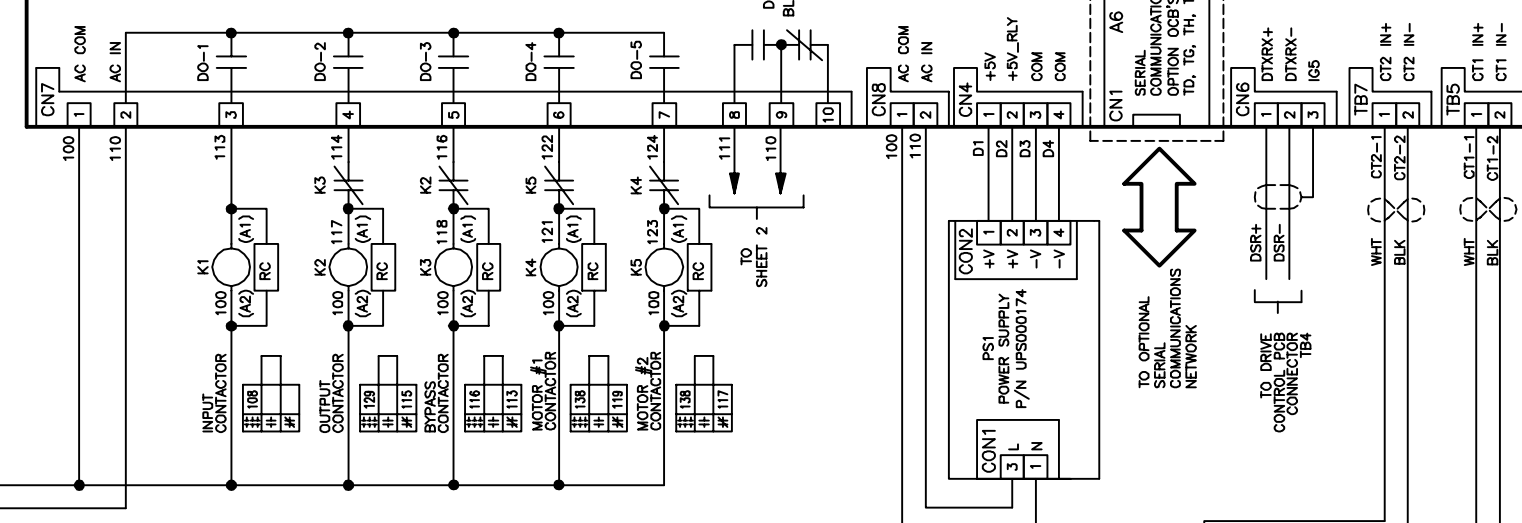
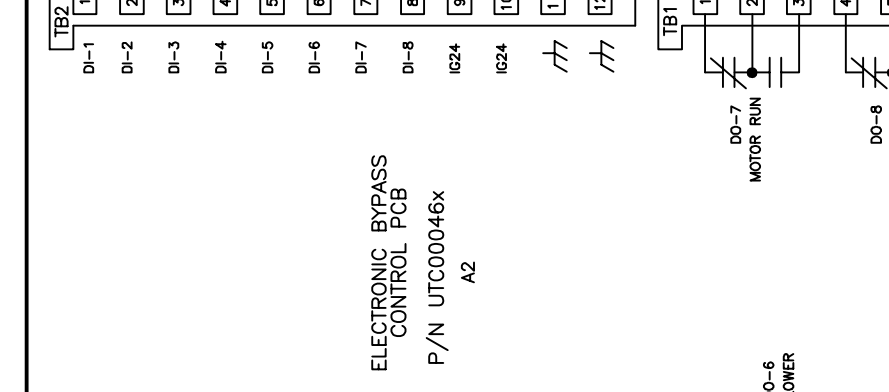
CONTROL TRANSFORMER PRIMARY CONNECTIONS

INPUT VOLTS	TERMINALS		JUMPER LOCATION
	A	B	
208	(H1)	(H2)	NONE
460/480	(H1)	(H4)	(H2) TO (H3)

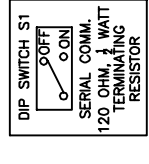


PROGRAMMABLE CONTACT INPUTS
DI-1/2/3/4/5/6/7/8

TO SH. 2



RS485 SERIAL COMMUNICATION SELECTIONS AVAILABLE:
1. MODBUS
2. NZ / METASYS
3. FLN / APOGEE
4. BAGNET (FACTORY SETTING)



PROGRAMMABLE DCL-V/S/B/9/10
AS SELECTED BY CONTROL BOARD ELECTRONIC BYPASS TERMINALS ZZ-25 TO ZZ-28

RATED: 2A, 24VDC/120VAC +/- 15% MAX.
CUSTOMER SHOULD PROVIDE PROPER CIRCUIT PROTECTION AND MEANS OF DISCONNECT.



REV.	DESCRIPTION	ECO #	DRAWN BY	DATE	REVISIONS
00	INITIAL RELEASE	-	-	2/22/14	

REVISED BY	D. PACKER	DATE	2/22/14
DESIGNED BY	D.R. CMELEK	DATE	2/24/14
DRAWN BY	K. FLIERL	DATE	2/24/14
CHECKED BY	D. PACKER	DATE	2/22/14

THIS DOCUMENT AND INFORMATION CONTAINED HEREIN IS CONFIDENTIAL AND CANNOT BE COPIED OR DISCLOSED IN WHOLE OR IN PART WITHOUT THE EXPRESS WRITTEN CONSENT OF YASKAWA AMERICA INC.

FILE: SCHEMATIC DIAGRAM P1000 ELECTRONIC BYPASS OPTION PY

DATE: 2/22/14

REV. 00

SIZE: D

SCALE: 1 OF 2

PAGE: 1

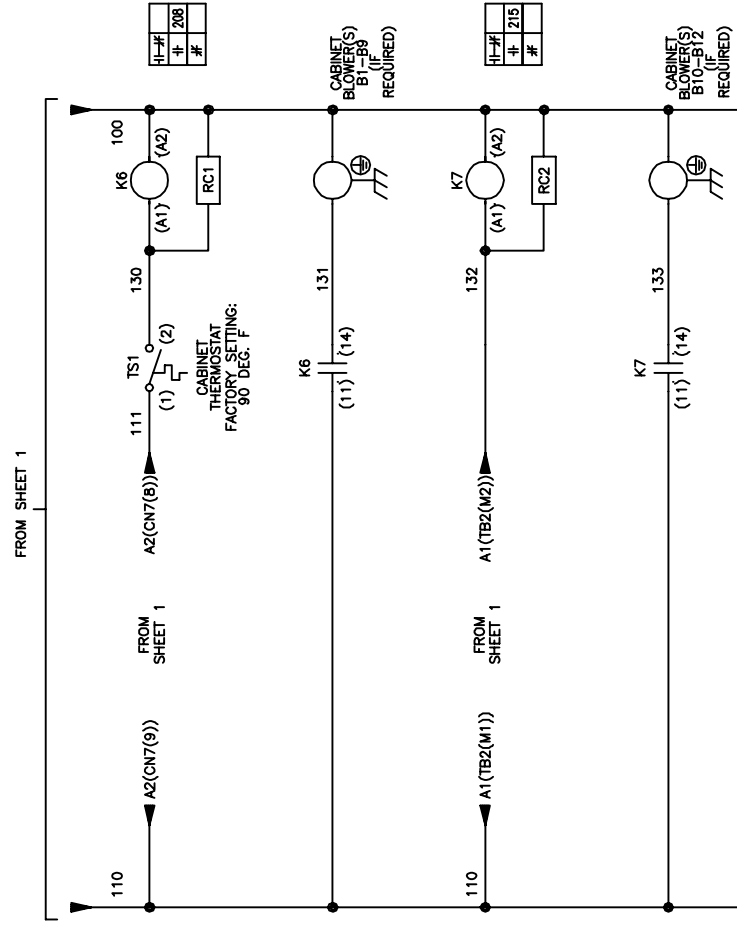
DRAWING # DS.P1B.3R.11

1 2 3 4 5 6 7 8 9 10 11 12 13 14 15 16 17

* - INDICATES COMPONENTS NOT SUPPLIED BY YASKAWA.
- - - INDICATES CUSTOMER WIRING.
// - CONNECTED TO THE CABINET OR PANEL
SEE SHEET 2 FOR NOTES.

NOTES:

1. CUSTOMER TO CONNECT THE CABINET GROUND LUGS TO EARTH GROUND AND UTILITY GROUND.
2. CONDUIT FITTINGS/HUBS SHALL COMPLY WITH THE 'STANDARD FOR CONDUIT, TUBING, AND CABLE FITTINGS, UL 514B'. OR CONDUIT FITTINGS HAVING THE SAME ENVIRONMENTAL RATING AS THE ENCLOSURE SHALL BE USED.
3. INSULATED TWISTED SHIELDED WIRE IS REQUIRED. SHIELD TO CONNECT TO PROPER TERMINAL AS SHOWN. CONNECT THE SHIELD ONLY AT THIS END. STUB AND ISOLATE THE OTHER END. DO NOT RUN THESE WIRES IN THE SAME CONDUIT AS THE AC POWER AND THE AC CONTROL WIRES.
4. WITH A CONTROL TRANSFORMER, T1, POWER RATING 350VA OR GREATER, SECONDARY FUSE F6 IS ADDED.
5. CHANGING Z1-01 TO "1" WILL PROGRAM THE DRIVE AND BYPASS PARAMETERS TO THEIR FACTORY DEFAULT SETTINGS.
6. SET Z1-11 TO 4 AND Z2-06 TO 27.
7. FOR 208VAC APPLICATIONS, SET E1-01 TO 208, AND SET E1-05 TO 208.
8. THE MOTOR OVERLOAD RELAY IS FACTORY SET FOR MANUAL RESET. CUSTOMER TO ADJUST THE MOTOR OVERLOAD RELAY TRIP SETTING FOR THE ACTUAL AC MOTOR'S FULL LOAD AMPS.
9. CUSTOMER TO ADJUST THE THERMOSTAT ON THE SPACE HEATER HR1 FOR THE MINIMUM DESIRED TEMPERATURE INSIDE THE DRIVE CABINET. THIS SET TEMPERATURE IS NORMALLY SELECTED TO BE SLIGHTLY HIGHER THAN THE MINIMUM AMBIENT TEMPERATURE OF THE AIR SURROUNDING THE CABINET. AND IS THE TEMPERATURE AT WHICH THE SPACE HEATER HR1 WILL SHUT OFF.



THIS DOCUMENT AND INFORMATION CONTAINED
HEREIN IS CONFIDENTIAL AND CANNOT BE
COPIED OR DISCLOSED IN WHOLE OR IN PART
WITHOUT THE EXPRESS WRITTEN CONSENT
OF YASKAWA AMERICA INC.

DESIGNED BY	D. PACKER	DATE	2/22/14
TECH	D.R. CMELAK	DATE	2/24/14
PROVISED BY	K. FLIERL	DATE	2/24/14
DESIGNED BY	D. PACKER	DATE	2/22/14

TITLE	SCHEMATIC DIAGRAM	SIZE	D	REVISION	00	PAGE	2 of 2
	P1000 ELECTRONIC BYPASS	DRAWING #					
	2-MTR FOR OPTION PY						

DRAWING #	DS.P1B.3R.11
-----------	--------------

DATE	2/22/14
------	---------

DATE	2/24/14
------	---------

DATE	2/24/14
------	---------

DATE	2/22/14
------	---------

DATE	2/22/14
------	---------

DATE	2/22/14
------	---------

DATE	2/22/14
------	---------

DATE	2/22/14
------	---------