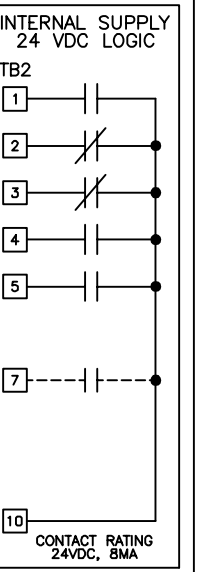
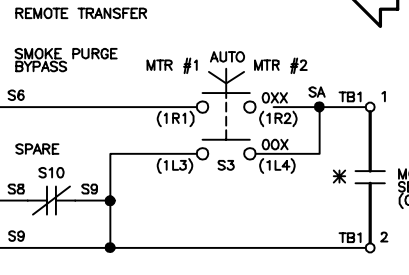


CONTROL TRANSFORMER PRIMARY CONNECTIONS		
INPUT VOLTS	TERMINALS	JUMPER LOCATION
208	(H1) (H2)	NONE
460/480	(H1) (H4)	(H2) TO (H3)



PROGRAMMABLE CONTACT INPUTS DI-1/2/3/4/5/6/7/8



ELECTRONIC BYPASS CONTROL PCB
P/N UTC00046x
A2

PROGRAMMABLE RELAYS DO-7/8/9/10
AS SELECTED BY ELECTRONIC BYPASS CONTROL PARAMETERS Z2-23 TO Z2-26

CONTACTS FOR CUSTOMER USE
RATED: 2A, 24VDC/120VAC +/- 15% MAX.

CUSTOMER MUST PROVIDE PROPER SHORT CIRCUIT PROTECTION AND MEANS OF DISCONNECT.

RS485 SERIAL COMMUNICATION SELECTIONS AVAILABLE:
1. MODBUS
2. N2 / METASYS
3. FLN / APOGEE
4. BACNET (FACTORY SETTING)

HOA OPERATOR
PART NUMBER JVOP-183

REVISIONS			
REV.	DESCRIPTION	ECO #	DATE
01	REMOVE TG & TH OPTIONS FROM P1000 BYPASS	12946	JZ 3/9/23
00	INITIAL RELEASE	-	D. PACKER 2/22/14

YASKAWA

THIS DOCUMENT AND INFORMATION CONTAINED IN IT ARE CONFIDENTIAL, AND CANNOT BE COPIED OR DISCLOSED IN WHOLE OR IN PART WITHOUT THE EXPRESS WRITTEN CONSENT OF YASKAWA AMERICA INC.

DRAWN BY D. PACKER	DATE 2/22/14	TITLE SCHEMATIC DIAGRAM P1000 ELECTRONIC BYPASS 2-MTR "OR" OPTION PY
CHECKED BY D.R. CMELAK	DATE 2/24/14	SIZE D
APPROVED BY K. FLIERL	DATE 2/24/14	REVISION 01
ORIGINAL DESIGN BY D. PACKER	DATE 2/22/14	PAGE 1 of 2

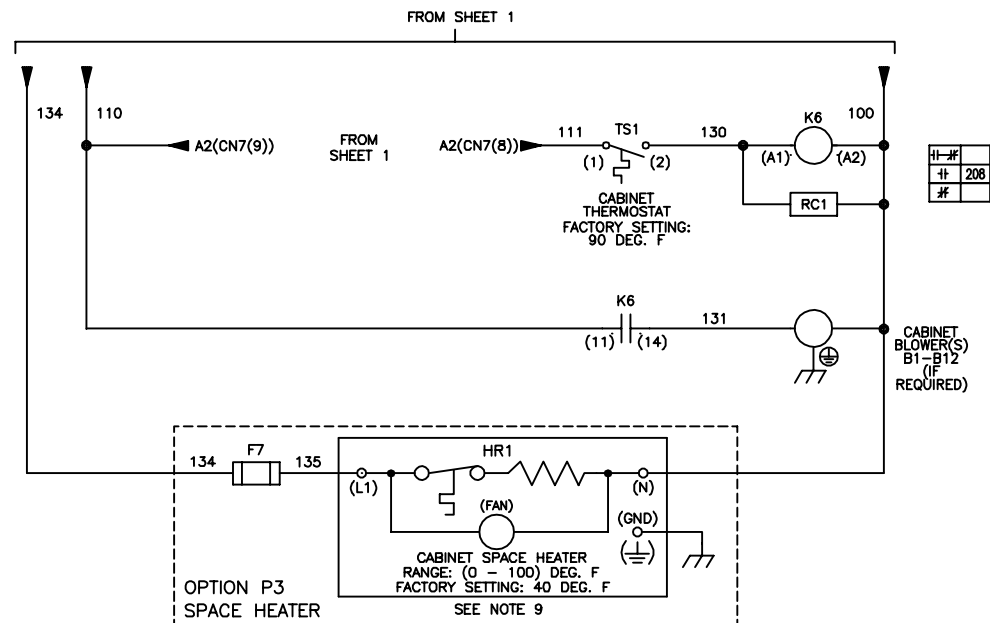
DRAWING #
DS.P1B.3R.12

* - INDICATES COMPONENTS NOT SUPPLIED BY YASKAWA.
- - - INDICATES CUSTOMER WIRING.
- - - CONNECTED TO THE CABINET OR PANEL.
SEE SHEET 2 FOR NOTES.

201
202
203
204
205
206
207
208
209
210
211
212
213
214
215
216
217
218
219
220
221
222
223
224
225
226
227
228
229
230
231
232
233
234
235
236
237
238
239
240
241

NOTES:

1. CUSTOMER TO CONNECT THE CABINET GROUND LUGS TO EARTH GROUND AND UTILITY GROUND.
2. CONDUIT FITTINGS/HUBS SHALL COMPLY WITH THE 'STANDARD FOR CONDUIT, TUBING, AND CABLE FITTINGS, UL 514B'. OR CONDUIT FITTINGS HAVING THE SAME ENVIRONMENTAL RATING AS THE ENCLOSURE SHALL BE USED.
3. INSULATED TWISTED SHIELDED WIRE IS REQUIRED. SHIELD TO CONNECT TO PROPER TERMINAL AS SHOWN. CONNECT THE SHIELD ONLY AT THIS END. STUB AND ISOLATE THE OTHER END. DO NOT RUN THESE WIRES IN THE SAME CONDUIT AS THE AC POWER AND THE AC CONTROL WIRES.
4. WITH A CONTROL TRANSFORMER, T1, POWER RATING 350VA OR GREATER, SECONDARY FUSE F6 IS ADDED.
5. CHANGING Z1-01 TO "1" WILL PROGRAM THE DRIVE AND BYPASS PARAMETERS TO THEIR FACTORY DEFAULT SETTINGS.
6. SET Z1-11 TO 4 AND Z2-06 TO 27.
7. FOR 208VAC APPLICATIONS, SET E1-01 TO 208, AND SET E1-05 TO 208.
8. THE MOTOR OVERLOAD RELAY IS FACTORY SET FOR MANUAL RESET. CUSTOMER TO ADJUST THE MOTOR OVERLOAD RELAY TRIP SETTING FOR THE ACTUAL AC MOTOR'S FULL LOAD AMPS.
9. CUSTOMER TO ADJUST THE THERMOSTAT ON THE SPACE HEATER HR1 FOR THE MINIMUM DESIRED TEMPERATURE INSIDE THE DRIVE CABINET. THIS SET TEMPERATURE IS NORMALLY SELECTED TO BE SLIGHTLY HIGHER THAN THE MINIMUM AMBIENT TEMPERATURE OF THE AIR SURROUNDING THE CABINET. AND IS THE TEMPERATURE AT WHICH THE SPACE HEATER HR1 WILL SHUT OFF.



YASKAWA	DRAWN BY:	D. PACKER	DATE:	2/22/14	TITLE: SCHEMATIC DIAGRAM P1000 ELECTRONIC BYPASS 2-MTR "OR" OPTION PY
	CHECKED:	D.R. CMELAK	DATE:	2/24/14	
	TECH:		DATE:		
	APPROVED:	K. FLIERL	DATE:	2/24/14	
ORIGINAL DESIGN:		D. PACKER	DATE:	2/22/14	DRAWING#:
THIS DOCUMENT AND INFORMATION CONTAINED IN IT ARE CONFIDENTIAL, AND CANNOT BE COPIED OR DISCLOSED IN WHOLE OR IN PART WITHOUT THE EXPRESS WRITTEN CONSENT OF YASKAWA AMERICA INC.					SIZE: D REVISION: 01 PAGE: 2 of 2 DRAWING#: DS.P1B.3R.12