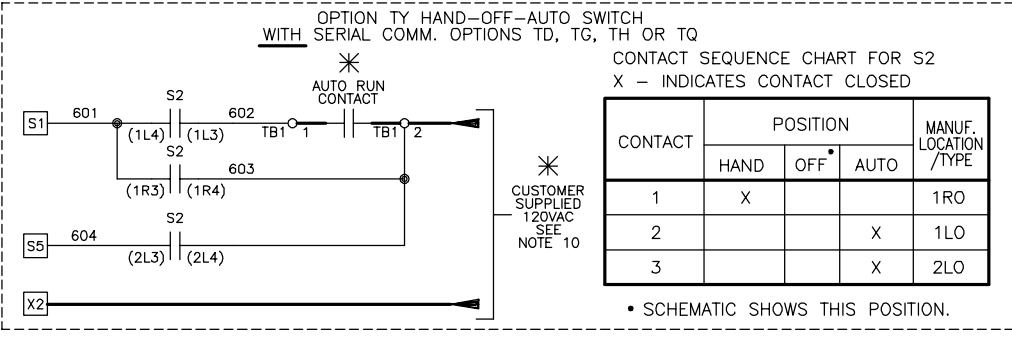
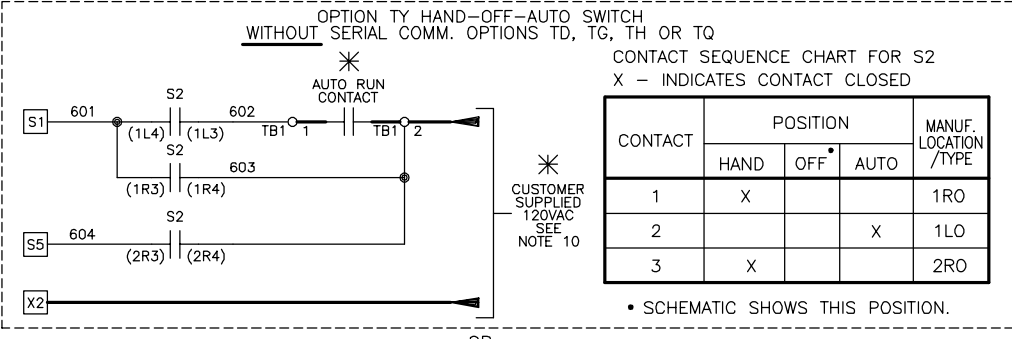


| INPUT VOLTS | TERMINALS |      | JUMPER LOCATION              |
|-------------|-----------|------|------------------------------|
|             | A         | B    |                              |
| 230/240     | (H1)      | (H4) | (H1) TO (H3)<br>(H2) TO (H4) |
| 460/480     | (H1)      | (H4) | (H2) TO (H3)                 |
| 600         | (H1)      | (H2) | NONE                         |

|   |     |
|---|-----|
| # | 107 |
| # | 107 |
| # | 107 |



- NOTES:
- CONNECTED TO THE CABINET. CUSTOMER TO CONNECT THE CABINET GROUND LUGS TO EARTH GROUND AND UTILITY GROUND.
  - CONDUIT FITTINGS/HUBS SHALL COMPLY WITH THE 'STANDARD FOR CONDUIT, TUBING, AND CABLE FITTINGS, UL 514B'. OR CONDUIT FITTINGS HAVING THE SAME ENVIRONMENTAL RATING AS THE ENCLOSURE SHALL BE USED.
  - WITHOUT THE CIRCUIT BREAKER (OPTION PC OR PE), OR DISCONNECT SWITCH OPTION PD, THE DISCONNECT MEANS MUST BE SUPPLIED BY THE CUSTOMER.
  - GROUND-FAULT PROTECTION IS PROVIDED FOR THIS ENTIRE CIRCUIT WHEN A CIRCUIT BREAKER (OPTION PC OR PE) IS PROVIDED BY YASKAWA.
  - IF THIS CABINET IS WIRED TO A 3 PHASE, 4 WIRE WYE INPUT POWER TRANSFORMER, THEN ORDER NEUTRAL CURRENT TRANSFORMER: A. FOR A 1000 AMP OR 1200 AMP CIRCUIT BREAKER (OPTION PC OR PE): PART NO. UPT000302. B. FOR A 1600 AMP CIRCUIT BREAKER (OPTION PC OR PE): PART NO. UPT000303.
  - BRANCH CIRCUIT PROTECTION TO BE SUPPLIED BY THE CUSTOMER WHEN NOTED ON THE CABINET DATA NAMEPLATE.
  - INSULATED TWISTED SHIELDED WIRE IS REQUIRED. SHIELD TO CONNECT TO PROPER TERMINALS AS SHOWN. CONNECT THE SHIELD ONLY AT THIS END. STUB AND ISOLATE THE OTHER END. DO NOT RUN THESE WIRES IN THE SAME CONDUIT AS THE AC POWER AND AC CONTROL WIRES. KEEP ALL WIRING UNDER 50m IN LENGTH.
  - CUSTOMER TO ADJUST THE THERMOSTAT ON THE SPACE HEATERS HR1 AND HR2 FOR THE MINIMUM DESIRED TEMPERATURE INSIDE THE DRIVE CABINET. THIS SET TEMPERATURE IS NORMALLY SELECTED TO BE SLIGHTLY HIGHER THAN THE MINIMUM AMBIENT TEMPERATURE OF THE AIR SURROUNDING THE CABINET, AND IS THE TEMPERATURE AT WHICH THE SPACE HEATERS HR1 AND HR2 WILL SHUT OFF.
  - IF AC MOTOR IS FURNISHED WITH A N.C. THERMAL SWITCH THEN SET DRIVE PARAMETER H1-08 TO 27. THIS WILL CAUSE THE DRIVE TO COAST TO STOP UPON AN AC MOTOR THERMAL FAULT. ALONG WITH THIS, ADD THE FOLLOWING CUSTOMER WIRING: WIRE THE N.C. THERMAL SWITCH BETWEEN TERMINAL S8 OF THE 120VAC INTERFACE CARD AND ONE SIDE OF THE 120VAC SOURCE.
  - CUSTOMER MUST PROVIDE PROPER SHORT CIRCUIT PROTECTION AND MEANS OF DISCONNECT.
  - OPTIONS TD, TG, TH OR TQ CONTROL (SEE UDE00370 FOR MORE INFORMATION)

\* - INDICATES COMPONENTS NOT SUPPLIED BY YASKAWA.  
 - - INDICATES CUSTOMER WIRING.  
 SEE DRAWING UDE00408 FOR CUSTOMER CONNECTIONS.  
 SEE DRAWING UDE00370 FOR DRIVE PARAMETER SETTINGS.

| REV. | DESCRIPTION                             | ECO # | DRAWN BY | DATE     |
|------|---|-------|----------|----------|
| 02   | CHANGED REACTOR L4 TERMINAL DESIGNATORS | 7695  | R. ROH   | 11/16/17 |
| 01   | CHG. WIRE NO.'S AND WIRING TO SPEED POT | 3907  | DRC      | 1/23/13  |
| 00   | INITIAL RELEASE                         | -     | DRC      | 11/28/12 |

**YASKAWA**

THIS DOCUMENT AND INFORMATION CONTAINED IN IT ARE CONFIDENTIAL, AND CANNOT BE COPIED OR DISCLOSED IN WHOLE OR IN PART WITHOUT THE EXPRESS WRITTEN CONSENT OF YASKAWA AMERICA INC.

|                 |             |       |          |            |  |
|-----------------|-------------|-------|----------|------------|--|
| DRAWN BY:       | D.R. CMELAK | DATE: | 11/28/12 | TITLE:     | SCHEMATIC DIAGRAM P1000 CONFIGURED HIGH HORSEPOWER TYPE 3R |
| CHECKED:        | D. PACKER   | DATE: | 11/28/12 | SIZE:      | D  |
| TECH:           |             | DATE: |          | REVISION:  | 02   |
| APPROVED:       | K. FLIERL   | DATE: | 11/28/12 | PAGE:      | 1 of 1   |
| ORIGINAL DESGN: | D.R. CMELAK | DATE: | 11/28/12 | DRAWING #: | DS.P1C3R.10  |