

- NOTES:**
- CONNECTED TO THE CABINET. CUSTOMER TO CONNECT THE CABINET GROUND LUGS TO EARTH GROUND AND UTILITY GROUND.
 - INSULATED TWISTED SHIELDED WIRE IS REQUIRED. SHIELD TO CONNECT TO PROPER TERMINAL AS SHOWN. CONNECT THE SHIELD ONLY AT THIS END. STUB AND ISOLATE THE OTHER END. DO NOT RUN THESE WIRES IN THE SAME CONDUIT AS THE AC POWER AND THE AC CONTROL WIRES. KEEP ALL WIRING UNDER 50m IN LENGTH.
 - WITH A CONTROL TRANSFORMER, T1, POWER RATING 350VA OR GREATER, SECONDARY FUSE F6 IS ADDED.
 - WITHOUT THE INPUT CIRCUIT BREAKER OPTION PC, OR WHEN NOTED ON THE CABINET NAMEPLATE, BRANCH CIRCUIT PROTECTION MUST BE SUPPLIED BY THE INSTALLER.
 - CUSTOMER TO ADJUST THE THERMOSTAT ON THE SPACE HEATER HR1 FOR THE MINIMUM DESIRED TEMPERATURE INSIDE THE DRIVE CABINET. THIS SET TEMPERATURE IS NORMALLY SELECTED TO BE SLIGHTLY HIGHER THAN THE MINIMUM AMBIENT TEMPERATURE OF THE AIR SURROUNDING THE CABINET AND IS THE TEMPERATURE AT WHICH THE SPACE HEATER HR1 WILL SHUT OFF.
 - CONDUIT FITTINGS/HUBS SHALL COMPLY WITH THE 'STANDARD FOR CONDUIT, TUBING, AND CABLE FITTINGS, UL 514B' OR CONDUIT FITTINGS HAVING THE SAME ENVIRONMENTAL RATING AS THE ENCLOSURE SHALL BE USED.
 - TERMINALS p1 AND n1 ARE FOR MOMENTARY POWER LOSS RECOVERY UNIT. DO NOT CONNECT TO AC POWER SUPPLY.
 - CUSTOMER TO REPLACE THE JUMPER WITH NORMALLY CLOSED SAFETY INTERLOCKS, IF APPLICABLE.

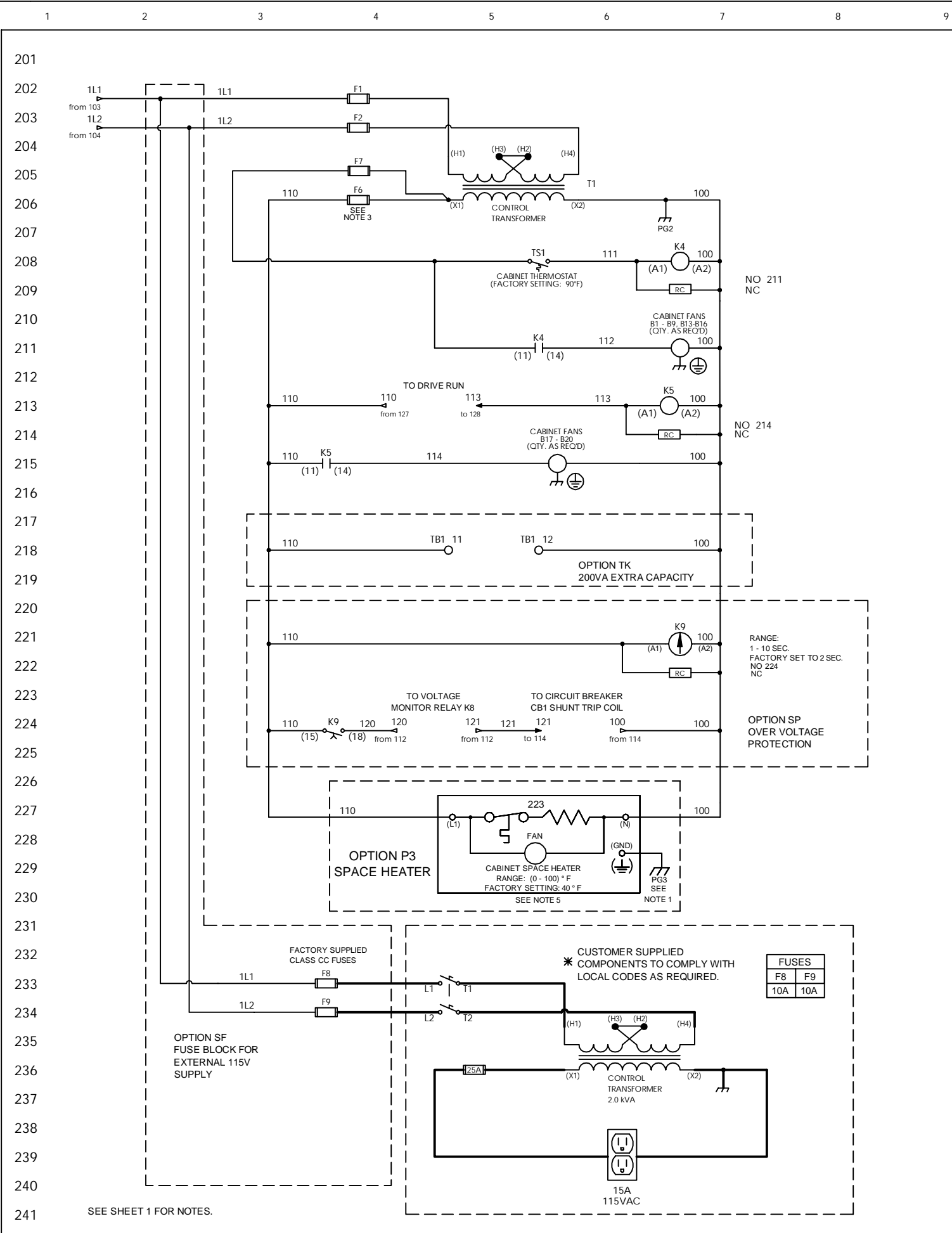
- INDICATES COMPONENTS NOT SUPPLIED BY YASKAWA

* - INDICATES CUSTOMER WIRING

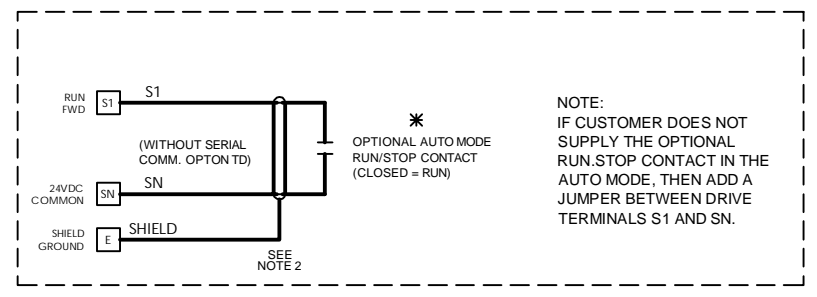
⌚ - CONNECTED TO THE CABINET OR PANEL

SEE DRAWING UDE00538 FOR DRIVE PARAMETERS.
SEE DRAWING UDE00539 FOR CUSTOMER CONNECTIONS.

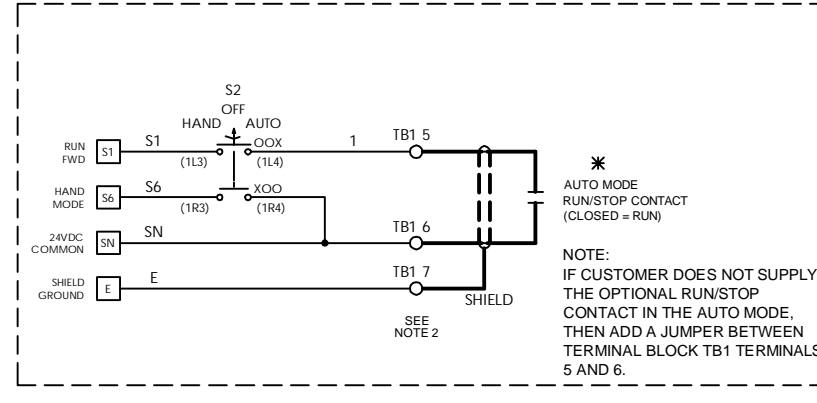
YASKAWA				DRAWN BY: R. ROH	DATE 10/27/17	TITLE SCHEMATIC DIAGRAM U1000 IQPUMP CONFIGURED TYPE 3R, 480V																																
				CHECKED N. LAWS	DATE 12/01/17																																	
				APPROVED K. FLIERL	DATE 12/01/17																																	
				ORIGINAL DESIGN R. ROH	DATE 10/27/17																																	
<table border="1"> <thead> <tr> <th>REV.</th> <th>DESCRIPTION</th> <th>ECO #</th> <th>DRAWN BY</th> <th>DATE</th> <th>SIZE</th> <th>REVISION</th> <th>PAGE</th> </tr> </thead> <tbody> <tr> <td>03</td> <td>ADDED TB5 TO DRIVE</td> <td>11178</td> <td>N. LAWS</td> <td>05/03/21</td> <td>D</td> <td>03</td> <td>1 of 2</td> </tr> <tr> <td>02</td> <td>UPDATED DRIVE BLOCK AND SPEED POT</td> <td>11109</td> <td>N. LAWS</td> <td>01/29/21</td> <td></td> <td></td> <td></td> </tr> <tr> <td>01</td> <td>FIXED CB1 CONNECTIONS</td> <td>9683</td> <td>N. LAWS</td> <td>06/24/19</td> <td></td> <td></td> <td></td> </tr> </tbody> </table>							REV.	DESCRIPTION	ECO #	DRAWN BY	DATE	SIZE	REVISION	PAGE	03	ADDED TB5 TO DRIVE	11178	N. LAWS	05/03/21	D	03	1 of 2	02	UPDATED DRIVE BLOCK AND SPEED POT	11109	N. LAWS	01/29/21				01	FIXED CB1 CONNECTIONS	9683	N. LAWS	06/24/19			
REV.	DESCRIPTION	ECO #	DRAWN BY	DATE	SIZE	REVISION	PAGE																															
03	ADDED TB5 TO DRIVE	11178	N. LAWS	05/03/21	D	03	1 of 2																															
02	UPDATED DRIVE BLOCK AND SPEED POT	11109	N. LAWS	01/29/21																																		
01	FIXED CB1 CONNECTIONS	9683	N. LAWS	06/24/19																																		
				<p>THIS DOCUMENT AND INFORMATION CONTAINED HEREIN ARE CONFIDENTIAL, AND CANNOT BE COPIED OR DISCLOSED IN WHOLE OR IN PART WITHOUT THE EXPRESS WRITTEN CONSENT OF YASKAWA AMERICA, INC.</p>																																		



RUN/STOP CONTROL (FROM SHEET 1)



OR



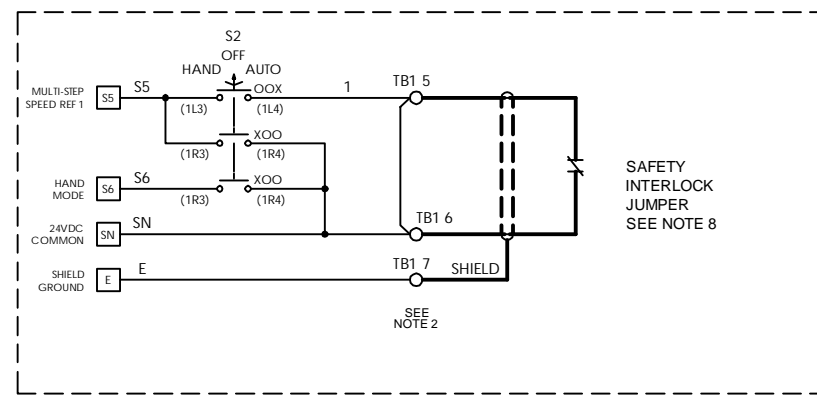
CONTACT SEQUENCE CHART FOR S2
X - INDICATES CONTACT CLOSED

CONTACT	POSITION			MANUF. LOCATION /TYPE
	HAND	OFF	AUTO	
1	X			1RO
2			X	1LO

SCHEMATIC SHOWS THIS POSITION.

OPTION TY,
AND WITHOUT
OPTION TD SERIAL
COMMUNICATION

OR



CONTACT SEQUENCE CHART FOR S2
X - INDICATES CONTACT CLOSED

CONTACT	POSITION			MANUF. LOCATION /TYPE
	HAND	OFF	AUTO	
1	X			1RO
2			X	1LO
3	X			2RO

SCHEMATIC SHOWS THIS POSITION.

OPTION TY,
AND WITH
OPTION TD SERIAL
COMMUNICATION

SEE SHEET 1 FOR NOTES.

YASKAWA

DRAWN BY: R. ROH	DATE 10/27/17	TITLE SCHEMATIC DIAGRAM U1000 IQPUMP CONFIGURED TYPE 3R, 480V
CHECKED N. LAWS	DATE 12/01/17	SIZE D
TECH	DATE	REVISION 03
APPROVED K. FLIERL	DATE 12/01/17	PAGE 2 of 2
ORIGINAL DESIGN R. ROH	DATE 10/27/17	DRAWING # DS.Q1E3.14

THIS DOCUMENT AND INFORMATION CONTAINED
HEREIN ARE CONFIDENTIAL AND CANNOT BE
COPIED OR DISCLOSED IN WHOLE OR IN PART
WITHOUT THE EXPRESS WRITTEN CONSENT
OF YASKAWA AMERICA, INC.